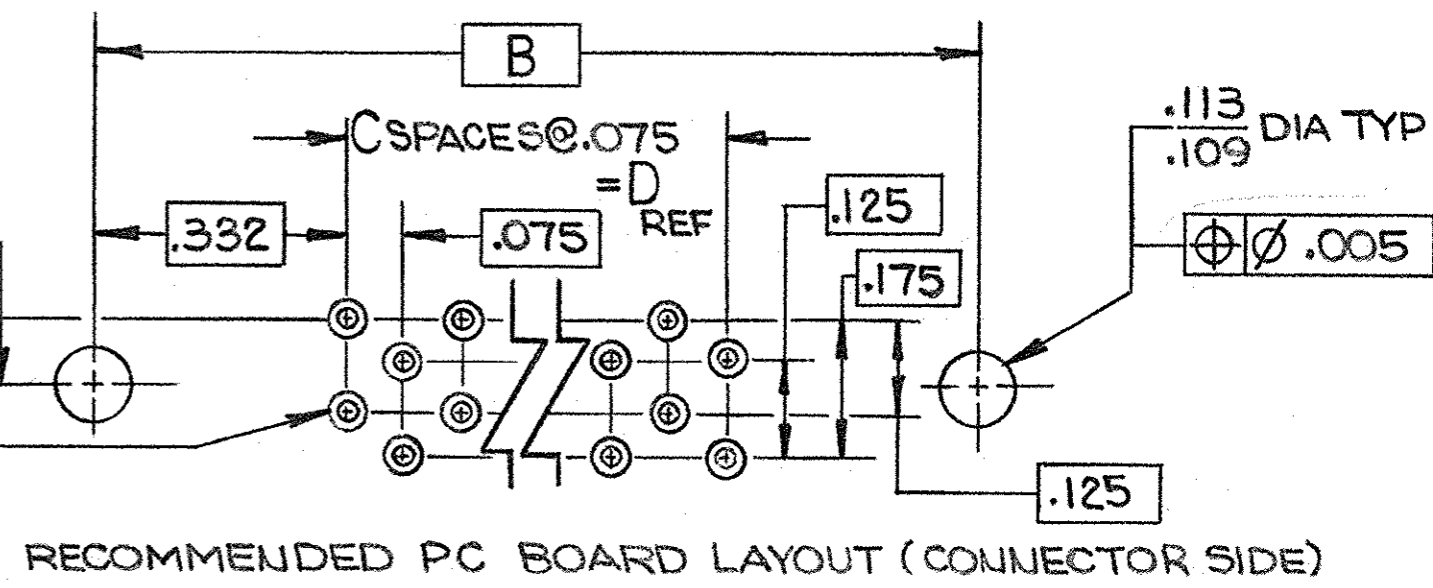
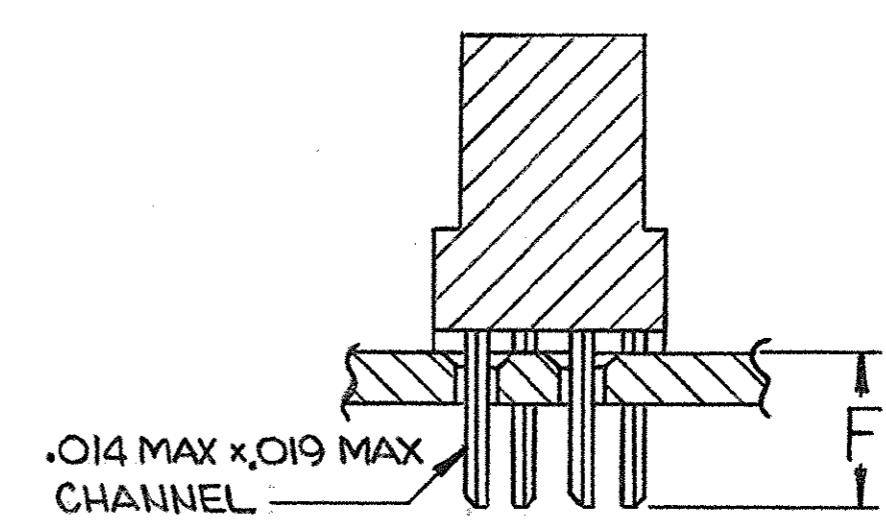
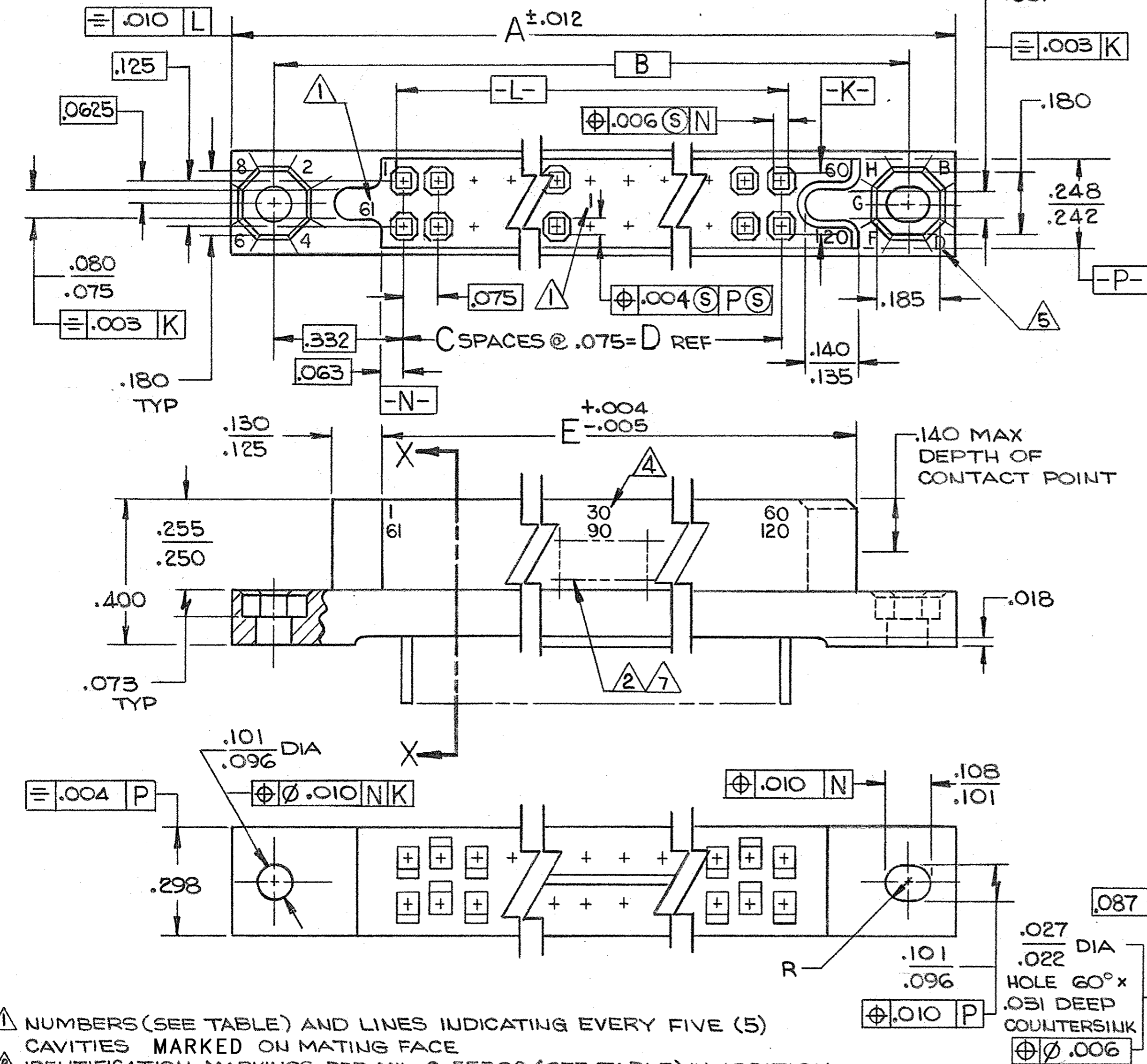


© COPYRIGHT 19 BY AMP INCORPORATED, HARRISBURG, PA.
ALL INTERNATIONAL RIGHTS RESERVED. AMP INCORPORATED PRODUCTS
COVERED BY U. S. AND FOREIGN PATENTS AND/OR PATENTS PENDING.

REVISIONS				DATE	APPROVED
P	F	ZONE/LTR	DESCRIPTION		
		D	ECO-08-020831	PY 10-08	BW



- $\triangle 1$ NUMBERS (SEE TABLE) AND LINES INDICATING EVERY FIVE (5) CAVITIES MARKED ON MATING FACE
 - $\triangle 2$ IDENTIFICATION MARKINGS PER MIL-C-55302 (SEE TABLE) IN ADDITION TO "AMP", PART NO. AND DATE CODE.
 - 3. MUST MEET ALL APPLICABLE REQUIREMENTS OF MIL-C-55302.
 - $\triangle 4$ NUMBERS INDICATING EVERY FIVE (5) CAVITIES MARKED ON SIDE.
 - $\triangle 5$ KEY POSITION INDICATORS MOLDED ON HOUSING.
 - 6. USES KEY KIT PART NUMBER 530341-3.
 - $\triangle 7$ MARKING FOR DASH 5 PART NUMBER IS: AMP 531145-5, DATE CODE, 414-2998-001, 94756, 00779.
 - $\triangle 8$ HOUSING: DIALLYL PHTHALATE PER MIL-M-14 TYPE SDG-F COLOR: BLUE
 - CONTACTS: BERYLLIUM COPPER (BeCu) OR COPPER NICKEL SILICONE (CuNiSi)
 - $\triangle 9$ FINISH: .000050 GOLD IN CONTACT AREA, TIN-LEAD ON SOLDER TAILS, ALL OVER NICKEL UNDERPLATE.
- [NOTES CONTINUED -- SEE SHEET 2]

UNLESS OTHERWISE SPECIFIED DIMENSIONS ARE IN INCHES. TOLERANCES ON: DECIMALS $\pm .005$ ANGLES \pm	CONTRACT NO 10-9-79	AMP INCORPORATED Harrisburg, Pa.	PART NO
	DR IRSHAFFNER		
MATERIAL $\triangle 8$	CHK Roy W. Dunbar 11/7/79	SIZE C	CODE IDENT NO 00779
FINISH $\triangle 9$	APPD Roy W. Dunbar 11/7/79	DRAWING NO 531145	REV D
	DSGN APPD	SCALE 4:1	SHEET 1 OF 2
	OTHER APPD		

531145

© COPYRIGHT 19 BY AMP INCORPORATED, HARRISBURG, PA.
ALL INTERNATIONAL RIGHTS RESERVED. AMP INCORPORATED PRODUCTS
COVERED BY U. S. AND FOREIGN PATENTS AND/OR PATENTS PENDING.

REVISIONS						
P	F	ZONE	LTR	DESCRIPTION	DATE	APPROVED
~ SEE SHEET 1						

10 ATTACHED FLOW CHART PERTAINS TO DASH FIVE ONLY
AND CORRESPONDS TO THE BASELINE DOCUMENT FOR
532476, ROCKWELL ONLY.

531145

#	1	90	215/250	6.940	6.675	89	7.340	7.630	180	531145-5
—	91	180	.171/.136	6.940	6.675	89	7.340	7.630	180	531145-4
—	81	160	↑	6.190	5.925	79	6.590	6.880	160	↑ -3
—	76	150	↓	5.815	5.550	74	6.215	6.505	150	↓ -2
—	61	120	.171/.136	4.690	4.425	59	5.090	5.380	120	531145-1
REMARKS	IDENTIFICATION MARKING	CONTACT IDENT NO.	F	E	D	C	B	A	NO. OF CONTACTS	PART NO

UNLESS OTHERWISE SPECIFIED DIMENSIONS ARE IN INCHES. TOLERANCES ON: DECIMALS ± _____ ANGLES ± _____	CONTRACT NO		AMP AMP INCORPORATED Harrisburg, Pa.	
	DR IRSHAFNER 10-9-79		NAME RECEPTACLE ASSEMBLY, 750 SERIES BOX, WITH EXTERNAL KEYING, FLOW SOLDER CONTACTS	
	CHK <i>Joseph W. Durbin</i> 11/7/79		SIZE CODE IDENT NO DRAWING NO	
	APPD <i>Joseph W. Durbin</i> 11/7/79		C 00779 531145	
MATERIAL	DSGN APPD		REV D	
FINISH	OTHER APPD		SCALE _____ SHEET 2	