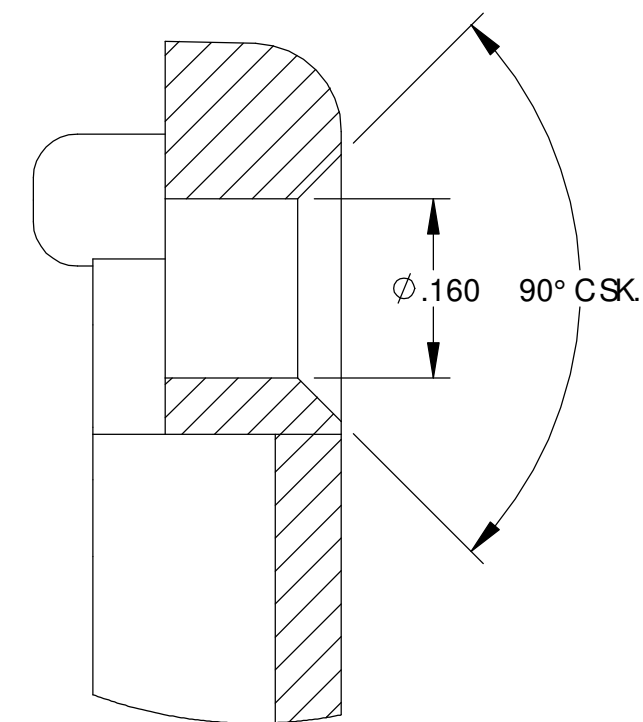
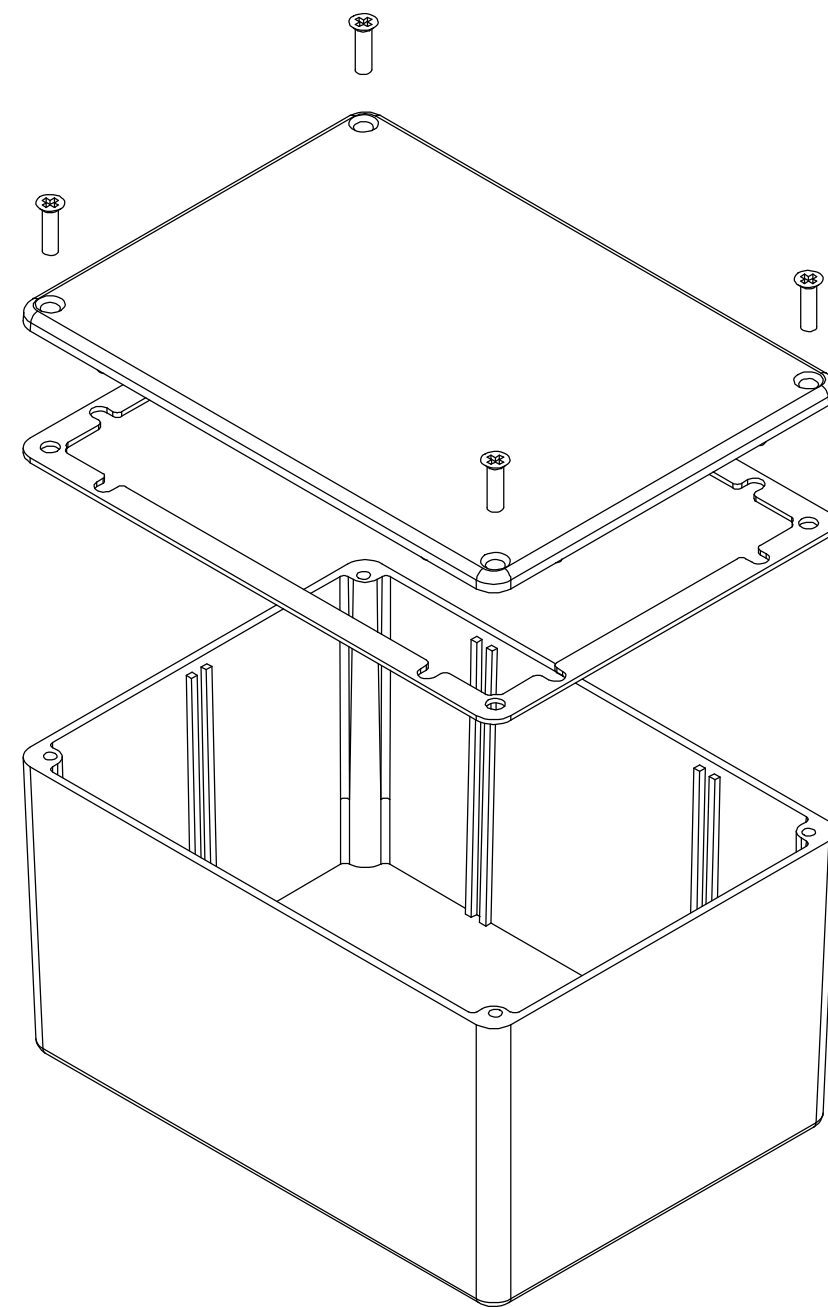


THE INFORMATION CONTAINED IN THIS DRAWING IS THE SOLE PROPERTY OF BUD INDUSTRIES INC. ANY REPRODUCTION IN PART OR WHOLE WITHOUT THE WRITTEN PERMISSION OF BUD INDUSTRIES INC. IS PROHIBITED.

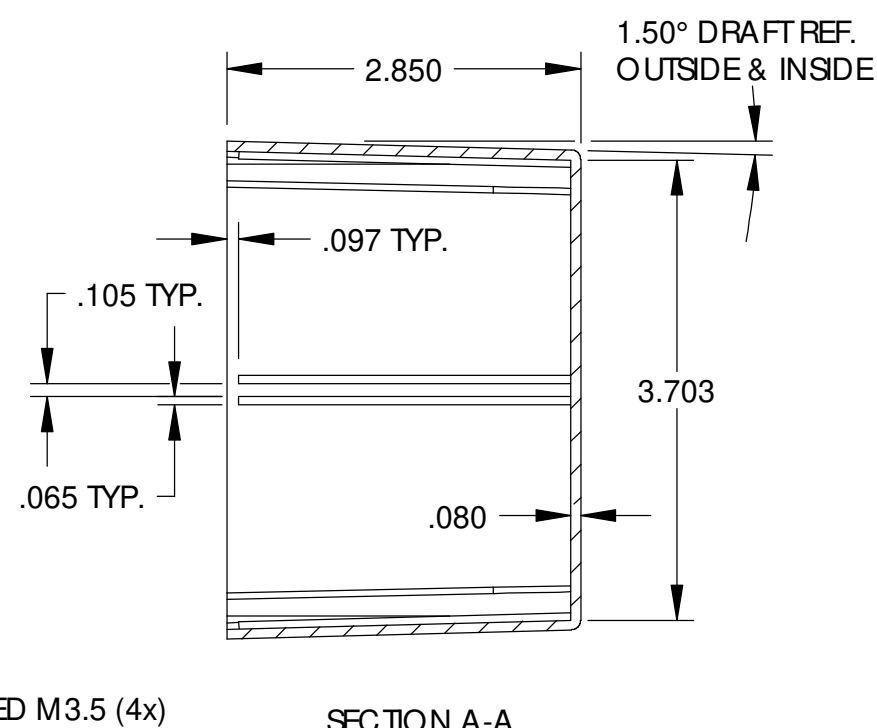
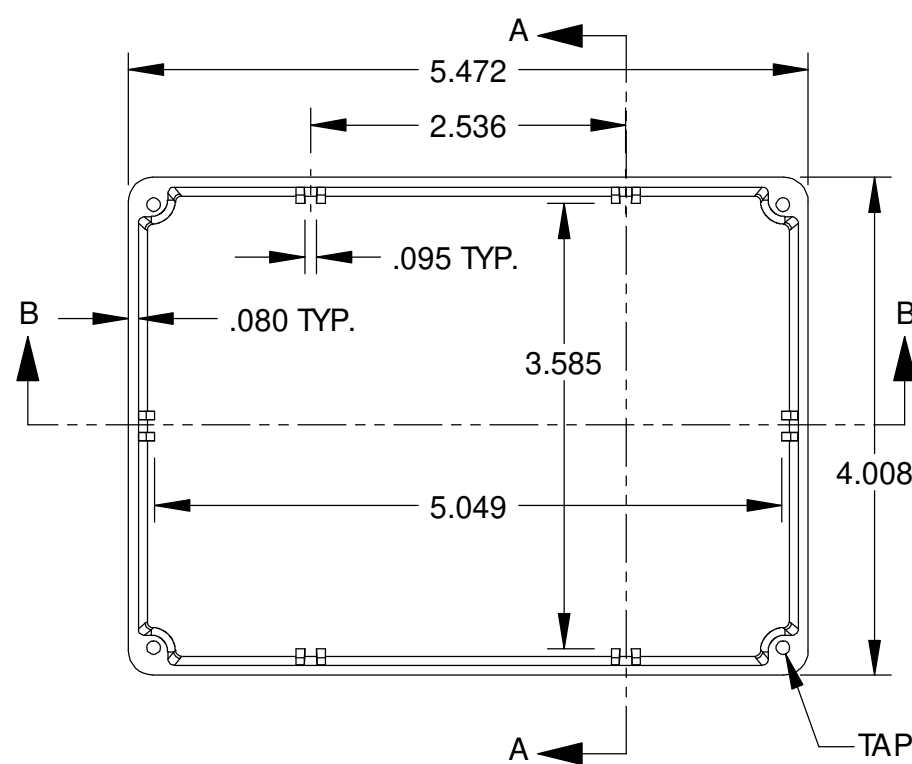
DWG. NO.	CN-5707
ISSUE	REVISIONS

MATERIAL - ALUMINUM ALLOY #ADC-12  
 FINISH - NATURAL (CONTACT BUD FACTORY FOR ALTERNATE FINISHES)  
 GASKET - RATED IP65 NEOPRENE, SELF-ADHESIVE, 3mm THICK, COLOR BLACK  
 SCREWS - STAINLESS STEEL, M3.5 x 12mm LG., CSK. HEAD, SELF-THREADING

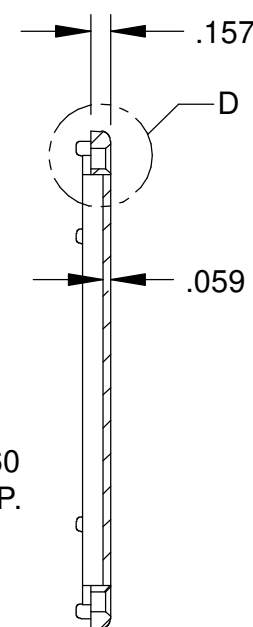
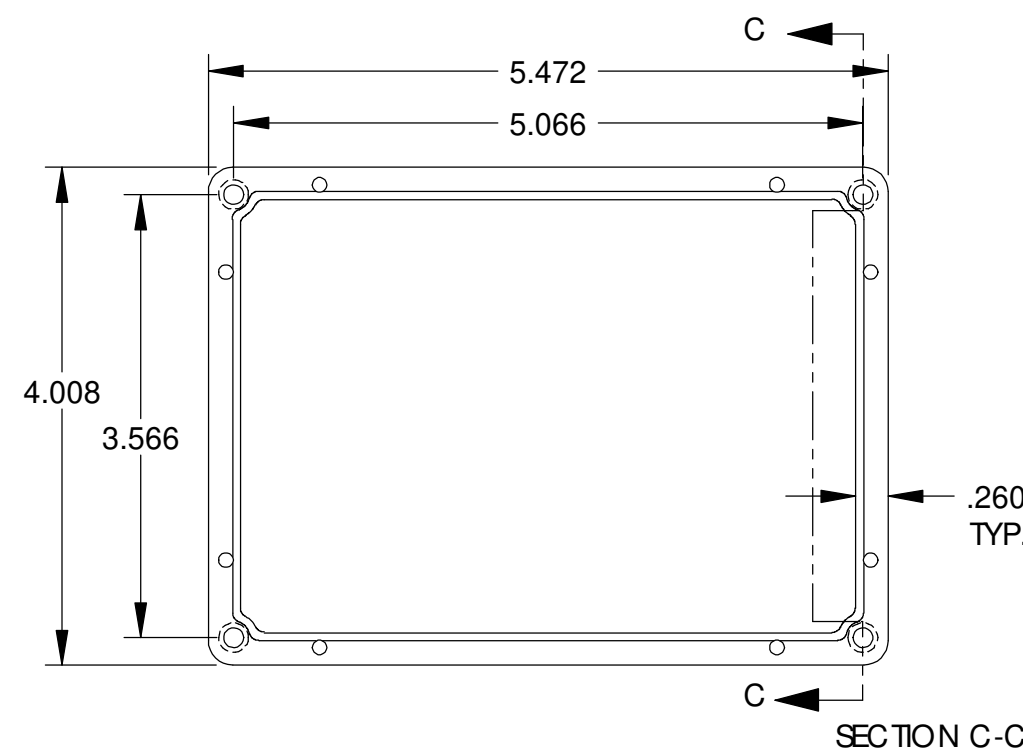
ALL HOLE DIAMETERS HAVE ±.005 TOLERANCE  
 ALL OTHER DIMENSIONS HAVE ±.015 TOLERANCE  
 ENCLOSURES ARE SHIPPED UNASSEMBLED WITH ALL ITEMS SHOWN.



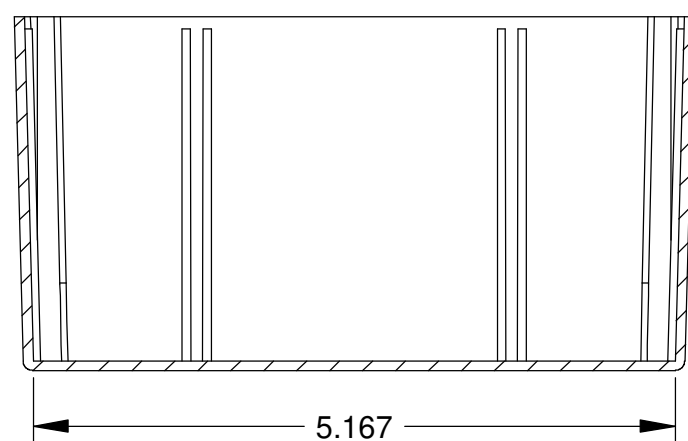
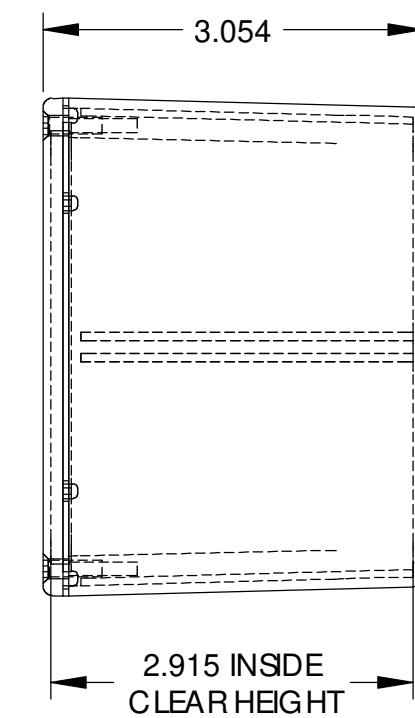
DETAIL D  
SCALE 6:1



BODY



COVER



SECTION B-B

PARTS LIST			
±.005 BETWEEN HOLE CENTERS	CAD GENERATED DRAWING, DO NOT MANUALLY UPDATE		
±.015 FROM SHEARED EDGE	BUD INDUSTRIES INC.		
±.032 FROM A BENT SURFACE	DIE CAST ALUMINUM ENCLOSURE		
±.062 BETWEEN ASSEMBLED SURFACES	APPROVALS	DATE	DWG. NO. CN-5707
UNLESS OTHERWISE SPECIFIED	DRAWN DAB	3-31-06	
MATERIAL	CHECKED		REV.
AS NOTED	APPROVED		
AS NOTED			
QTY.	USED ON	DO NOT SCALE DRAWING	SCALE CAD FILE SHEET 1 OF 1