

963120-1 ✓ ACTIVE

AMP | Junior Timer

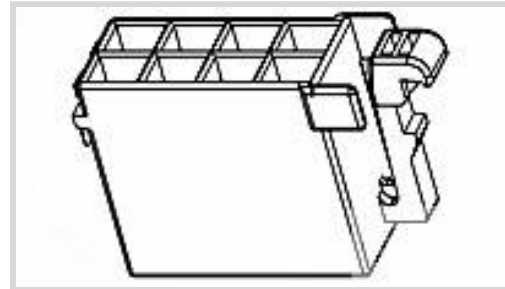
TE Internal #: 963120-1

Housing for Female Terminals, Wire-to-Board / Wire-to-Device, 8 Position, .236 in [6 mm] Centerline, Gray, Wire & Cable, Power, Junior Timer

[View on TE.com >](#)



[Connectors](#) > [Automotive Connectors](#) > [Automotive Housings](#) > [Timer Connector Housing](#)



Connector System: **Wire-to-Board, Wire-to-Device**

Number of Positions: **8**

Connector & Housing Type: **Housing for Female Terminals**

Centerline (Pitch): **6 mm [ .236 in ]**

Sealable: **No**

[All Timer Connector Housing \(589\)](#)

## Features

### Product Type Features

Hybrid Connector	No
Connector Shape	Rectangular
Connector System	Wire-to-Board, Wire-to-Device
Connector & Housing Type	Housing for Female Terminals
Sealable	No
Connector & Contact Terminates To	Wire & Cable
Primary Locking Feature	Integrated in Housing

### Configuration Features

Number of Positions	8
Number of Rows	2

### Electrical Characteristics

Nominal Voltage Architecture	12 V
------------------------------	------

### Body Features

Cable Exit Angle	180°
Primary Product Color	Gray

### Contact Features

--	--



Contact Size	2.8mm
Contact Type	Receptacle
Mating Tab Width	2.8 mm[.11 in]
Contact Current Rating (Max)	30 A

### Mechanical Attachment

Terminal Position Assurance	Yes
Strain Relief	Without
Mating Alignment Type	Polarized
Mating Alignment	With
Connector Mounting Type	Cable Mount (Free-Hanging)

### Housing Features

Housing Material	PA
Centerline (Pitch)	6 mm[.236 in]

### Dimensions

Connector Height	11 mm[.433 in]
Product Width	23 mm[.905 in]
Product Length	30 mm[1.18 in]
Row-to-Row Spacing	5 mm[.196 in]

### Usage Conditions

Operating Temperature (Max)	120 °C[248 °F]
Operating Temperature Range	-40 – 120 °C[-40 – 248 °F]

### Operation/Application

Circuit Application	Power
---------------------	-------

### Packaging Features

Packaging Quantity	600
Packaging Method	Box

### Other

Serviceable	No
Connector Position Assurance Capable	No

### Product Compliance

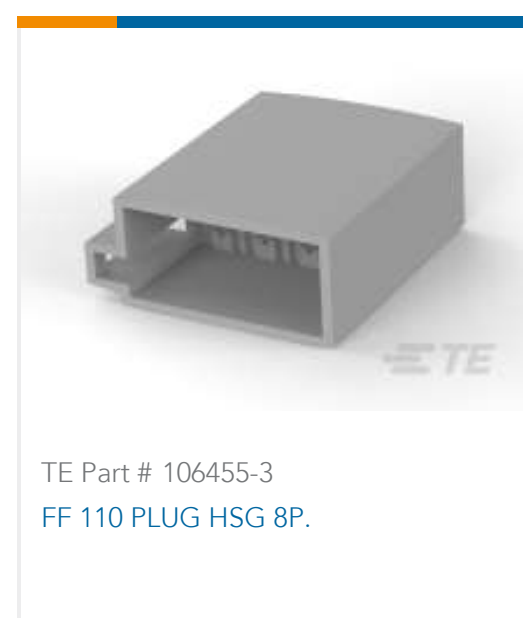
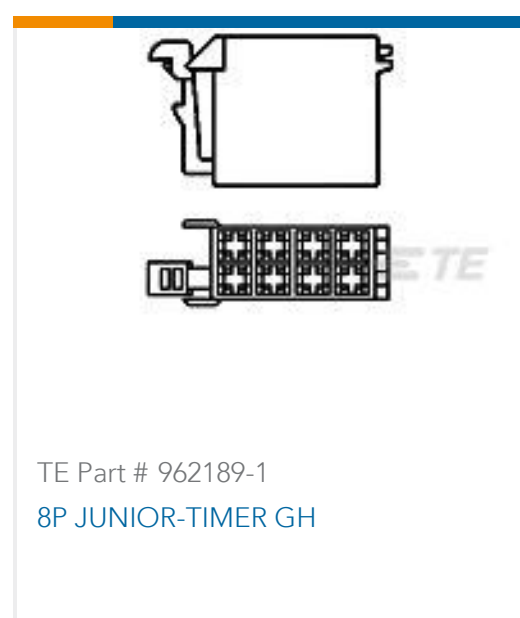
[For compliance documentation, visit the product page on TE.com>](#)

EU RoHS Directive 2011/65/EU	Compliant
EU ELV Directive 2000/53/EC	Compliant
China RoHS 2 Directive MIIT Order No 32, 2016	No Restricted Materials Above Threshold
EU REACH Regulation (EC) No. 1907/2006	Current ECHA Candidate List: JUNE 2023 (235) Candidate List Declared Against: JUNE 2023 (235) Does not contain REACH SVHC
Halogen Content	Low Halogen - Br, Cl, F, I < 900 ppm per homogenous material. Also BFR/CFR/PVC Free
Solder Process Capability	Not applicable for solder process capability

#### Product Compliance Disclaimer

This information is provided based on reasonable inquiry of our suppliers and represents our current actual knowledge based on the information they provided. This information is subject to change. The part numbers that TE has identified as EU RoHS compliant have a maximum concentration of 0.1% by weight in homogenous materials for lead, hexavalent chromium, mercury, PBB, PBDE, DBP, BBP, DEHP, DIBP, and 0.01% for cadmium, or qualify for an exemption to these limits as defined in the Annexes of Directive 2011/65/EU (RoHS2). Finished electrical and electronic equipment products will be CE marked as required by Directive 2011/65/EU. Components may not be CE marked. Additionally, the part numbers that TE has identified as EU ELV compliant have a maximum concentration of 0.1% by weight in homogenous materials for lead, hexavalent chromium, and mercury, and 0.01% for cadmium, or qualify for an exemption to these limits as defined in the Annexes of Directive 2000/53/EC (ELV). Regarding the REACH Regulation, the information TE provides on SVHC in articles for this part number is based on the latest European Chemicals Agency (ECHA) 'Guidance on requirements for substances in articles' posted at this URL: <https://echa.europa.eu/guidance-documents/guidance-on-reach>

## Compatible Parts



Also in the Series | **Junior Timer**



Automotive Housings(77)

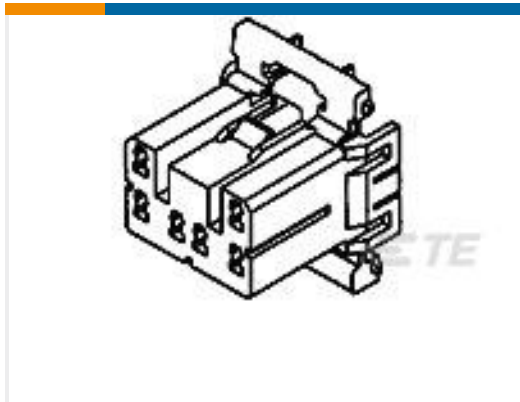


Automotive Terminals(16)



PCB Headers & Receptacles(3)

## Customers Also Bought



TE Part #173850-2  
070 MULTILOCK PLUG 8P



TE Part #1456471-2  
8p Hybrid 0.64/2.8 Unsealed Plug Assy



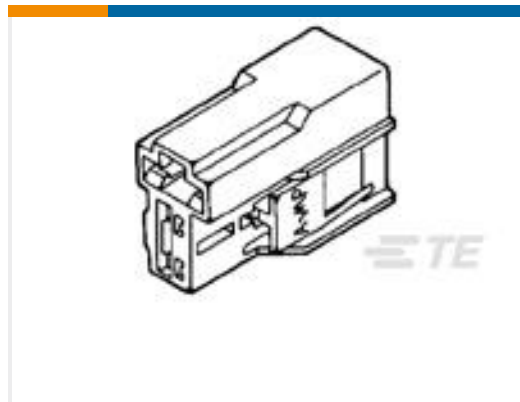
TE Part #4-2112594-1  
MQS, CONNECTOR HOUSING



TE Part #726346  
SO RINGTONG 6-35



TE Part #170303-1  
FF 250 REC 22-18AWG BR WITH LATCH



TE Part #172434-1  
POSITIVE LOCK 250 (6.3 MM) HOUSING



TE Part #1-1801178-1  
3W RECEPTACLE HP CONNECTOR BLACK



TE Part #2203770-2  
2POS, MCON 1.2 CB TAB 1p TL SEALED



TE Part #2177472-1  
73POS, MIXED, REC HSG, ASSY, BK

## Documents

### Product Drawings

8P JUNIOR TIMER HOUSING

German

### CAD Files

Customer View Model

ENG\_CVM\_963120-1\_B.3d\_igs.zip

English

Customer View Model



[ENG\\_CVM\\_963120-1\\_B.3d\\_stp.zip](#)

English

**Customer View Model**

[ENG\\_CVM\\_963120-1\\_B.2d\\_dxf.zip](#)

English

**3D PDF**

English

By downloading the CAD file I accept and agree to the [Terms and Conditions](#) of use.

**Datasheets & Catalog Pages**

**Timer Interconnection System**

English