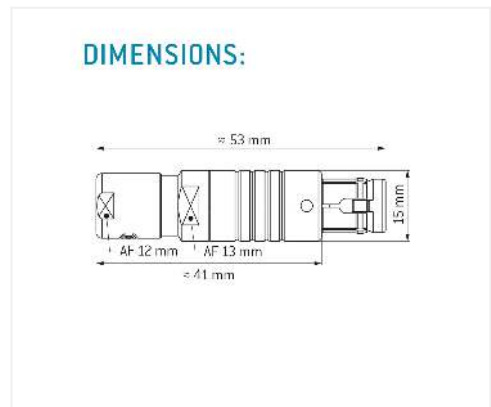
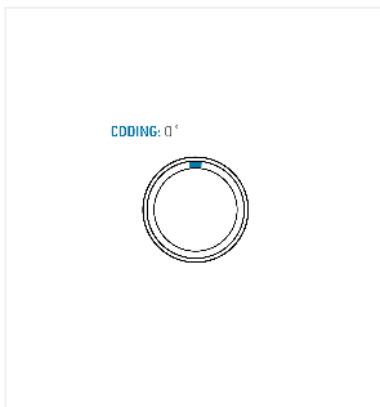


S32B0C-P04LPH0-9000
series_b, type_s3



General information

Part number	S32B0C-P04LPH0-9000
Termination	solder
Size	2
Locking principle	push
Coding	0_key
Cable Diameter	cable_mini_90
Cable outlet	standard



Contact insert description

Number of contacts	4
Contact type	sockets
Contact diameter	13mm
Insulator material	peek
Wire cross section	20_awg
Termination	solder
Termination diameter	11mm
Data transmission	ethernet_100

reverse_gender_on_request

Technical information

Max. creepage and air clearance distance	18_mm	16_mm
Nominal current single contact	12_a	iec_60512_5_2
Nominal current insert	12 A	vde_0298_4
Test voltage	195_kv_ac	sae_13441

safety_text

Mechanical and environmental data

Degree of protection*	ip68
Operating temperature	40_120_c
Mating cycles	5000

mated

Material and surface treatments

Housing	m_chrome
Contact	cu_alloy_gold

data_text

safety_text_2

data_text

ul_text

illustrative_text