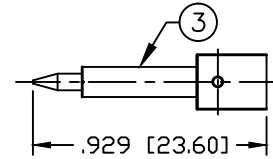
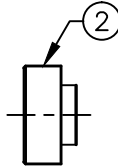
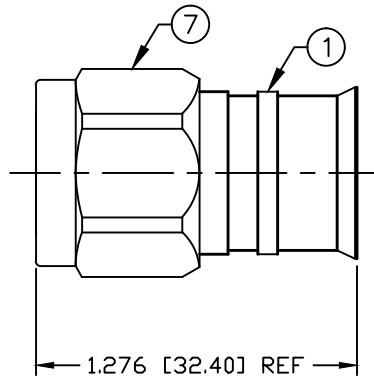


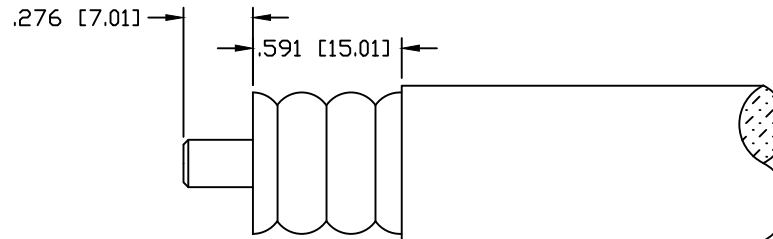
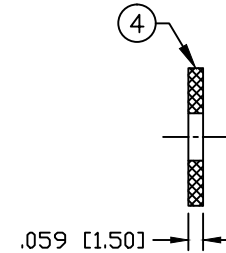
PART NO.

RFN-1002DS-H1

REV	DESCRIPTION	DWN	DATE	APPROVED
A	UPDATED TRIM TOOL P/N	CZS	07/19/19	JDMc



RECOMMENDED SOLDER ONLY



RECOMMENDED STRIPING DIMENSIONS

USE OF CABLE TRIM TOOL IS RECOMMENDED

USE COMPATIBLE TRIM TOOL SUCH AS TRIM-SET-C12-C02

SPECIFICATIONS:

IMPEDANCE: 50 Ohms
 FREQUENCY RANGE: 0-3 GHz
 VSWR: <1.15:1 THRU 3 GHz
 PIM: ≤ -155 dBc
 DIELECTRIC WITHSTANDING VOLTAGE: 1500V/AC
 INSULATION RESISTANCE: 10000M Ω
 TEMPERATURE RANGE: -40°C TO 155°C
 MECHANICAL DURABILITY: 500 CYCLES
 FOR LCF12-50JFN, LDF4-50A, ICA12-50JPL, PD353784 & SPF

CUSTOMER
OUTLINE DRAWINGALL DIMENSIONS
ARE REFERENCE ONLYUNLESS OTHERWISE SPECIFIED:
DIMENSIONS ARE IN INCHES
AND [MILLIMETERS]DRAWN
C. ZUNIGA 07/19/19
CHECKEDORJ DRAWN
C. ZUNIGA 05/25/17**RoHS
COMPLIANT**

PROPRIETARY AND CONFIDENTIAL
 THIS DRAWING CONTAINS
 INFORMATION PROPRIETARY TO
 RF INDUSTRIES. ANY
 UNAUTHORIZED USE OF THIS
 DRAWING IS EXPRESSLY
 PROHIBITED WITHOUT WRITTEN
 PERMISSION FROM RF
 INDUSTRIES. ANY VIOLATION IS
 PUNISHABLE UNDER U.S.
 COPYRIGHT LAWS.

RFconnectors

7610 MIRAMAR RD.
 SAN DIEGO, CA 92126
 (858) 549-6340
 (858) 549-6345 FAX

N MALE, SOLDER
 FOR 1/2" FLEXIBLE CORRUGATED CABLE

SIZE	CABLE GROUP	DWG NO.	REVISION
A	H1	RFN-1002DS-H1	A
SCALE: NTS	ENGINEERING ID: 000000	SHEET 1 OF 1	

#	DESCRIPTION	QTY	MATERIAL	FINISH
7	SHELL	1	BRASS	WHITE BRONZE
6	RETAINING RING	1	BRASS	WHITE BRONZE
5	GASKET	1	RUBBER	----
4	INSULATOR	1	PTFE	----
3	PIN	1	BRASS	SILVER
2	INSULATOR	1	PTFE	----
1	BODY	1	BRASS	WHITE BRONZE