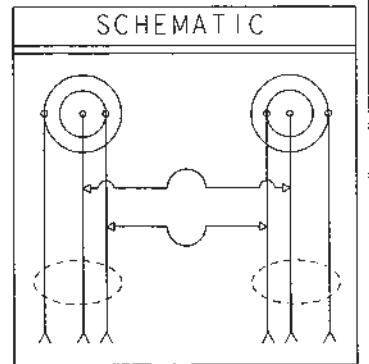
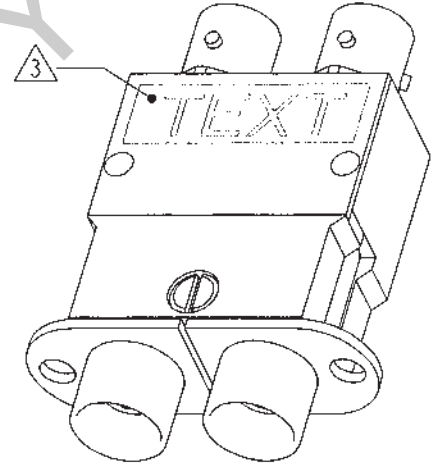
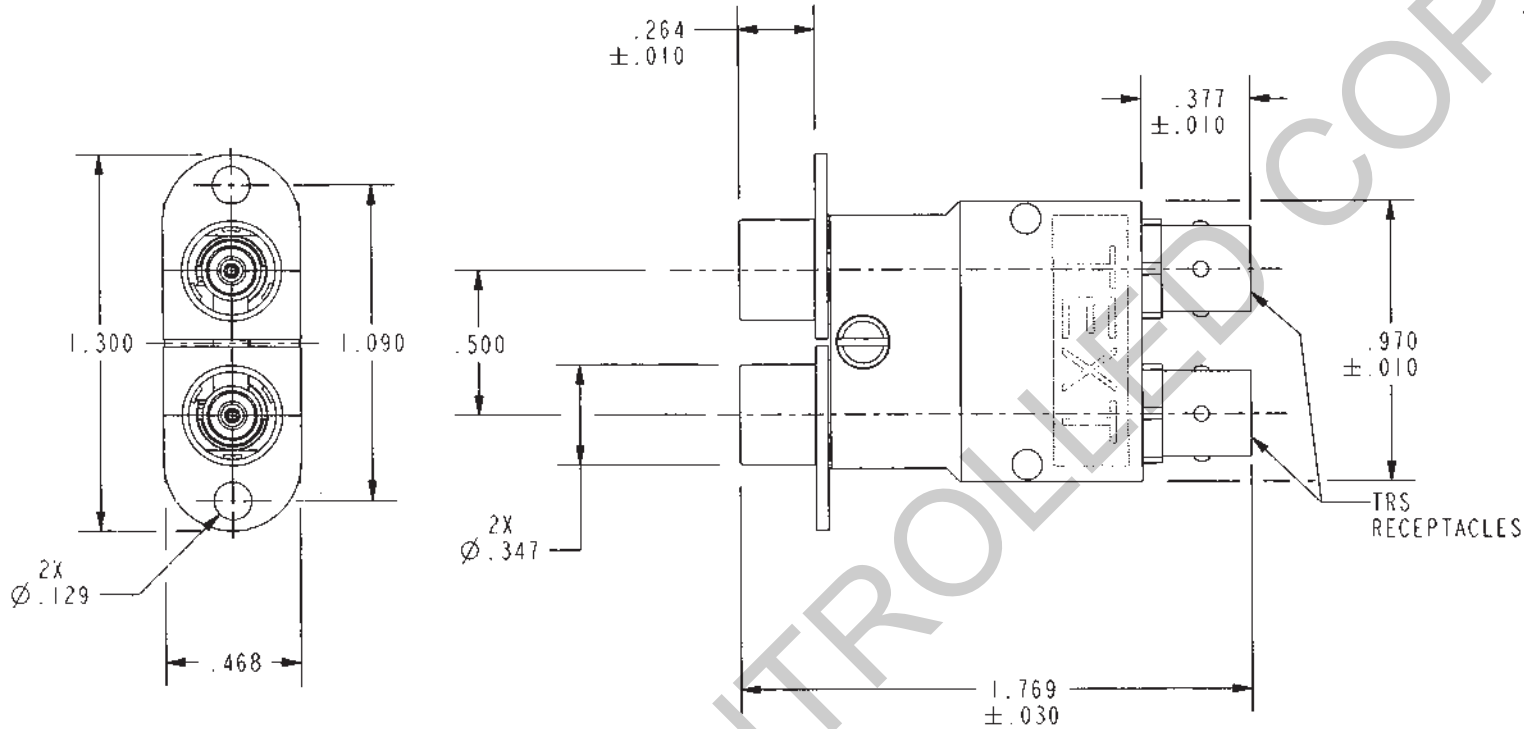


DATA CONTAINED IN THIS DOCUMENT IS PROPRIETARY TO TROMPETER ELECTRONICS INC. AND SHALL NOT BE DISCLOSED, COPIED OR USED FOR PROCUREMENT OR MANUFACTURE WITHOUT EXPRESS WRITTEN PERMISSION.

REVISIONS			
REV	DESCRIPTIONS	DATE	APPROVED
F	REVISED PER ECO 16367	6-2-08	UNIK



**RED INDICATES ORIGINAL**

3 COVER TO BE INK MARKED AS FOLLOWS:  
 TEI 14949  
 J158 DATE CODE  
 PAT. NO. 5702262

2. DUAL TWINAX/TRIAX SELF-NORMALIZING PATCH JACK WITH TRS RECEPTACLES

1. FINISH: TFS-1A, NICKEL

NOTES: UNLESS OTHERWISE SPECIFIED.

INTERPRET DRAWING PER MIL-STD-100. DIMENSIONS ARE IN INCHES AND INCLUDE FINISH THICKNESS UNLESS OTHERWISE SPECIFIED.



DRN M JOHNSON	12-12-07	MATERIAL:	TITLE:
CHK [Signature]	2-21-08	FINISH:	J158
MANUF		SIZE	CAGE CODE
APPROVED [Signature]	3/4/08	A	14949
PROJ FILE NO.	3-0297	DRAWING NO.	3-0297

NEXT ASSY	DO NOT SCALE DWG	SCALE	1.5/1	DATE	11-09-95	SHEET	1C
-----------	------------------	-------	-------	------	----------	-------	----