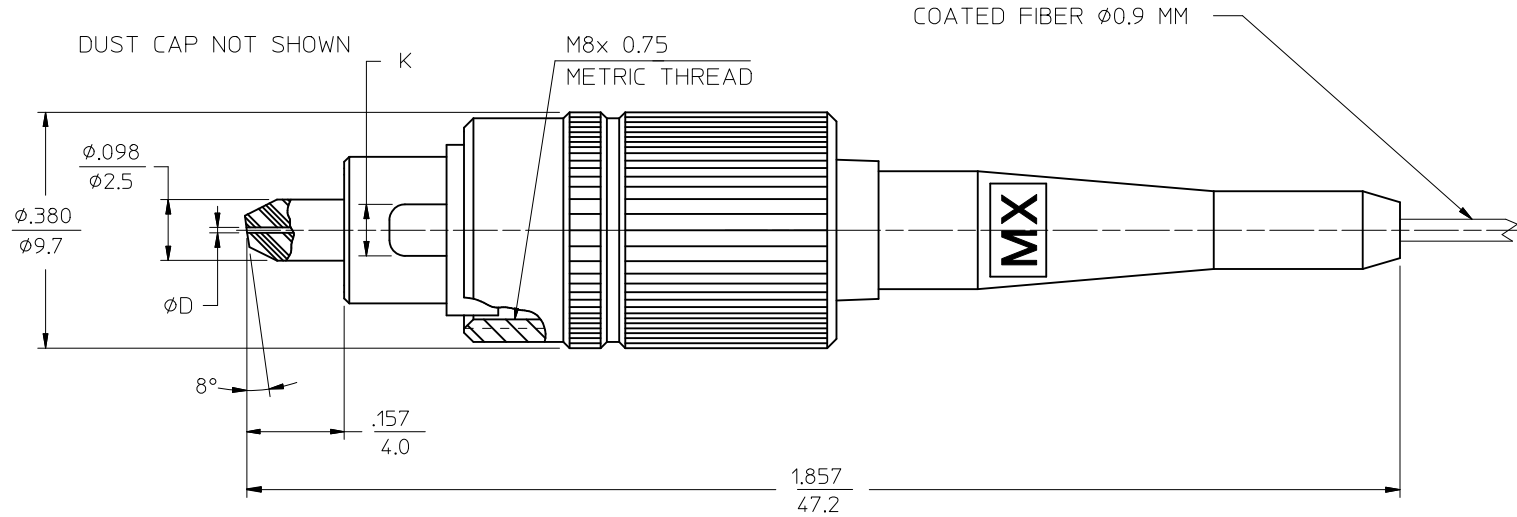


CONNECTOR P/N	φD(mm)	K (KEY)	TYPE OF FIT
106056-4500	.125	.083 2.1	STANDARD
106056-5500	.126		
106055-4500	.125	.079 2.0	TIGHT
106055-5500	.126		



ENTER DESCRIPTION EC NO: MF2012-0610 DRAWN: MGHAYERE 2012/06/06 CHKD: APPR: IGUMIN 2012/06/08 REV: A1	QUALITY SYMBOLS ▽=0 ▽7=0	GENERAL TOLERANCES (UNLESS SPECIFIED) <table border="1"> <thead> <tr> <th></th> <th>mm</th> <th>INCH</th> </tr> </thead> <tbody> <tr> <td>4 PLACES</td> <td>± .004</td> <td>± .0001</td> </tr> <tr> <td>3 PLACES</td> <td>± .005</td> <td>± .0002</td> </tr> <tr> <td>2 PLACES</td> <td>± .007</td> <td>± .0003</td> </tr> <tr> <td>1 PLACE</td> <td>± .010</td> <td>± .0004</td> </tr> <tr> <td>0 PLACE</td> <td>± .015</td> <td>± .0006</td> </tr> </tbody> </table>		mm	INCH	4 PLACES	± .004	± .0001	3 PLACES	± .005	± .0002	2 PLACES	± .007	± .0003	1 PLACE	± .010	± .0004	0 PLACE	± .015	± .0006	DIMENSION STYLE IN/MM	SCALE 5:1	DESIGN UNITS INCH	THIRD ANGLE PROJECTION
		mm	INCH																					
	4 PLACES	± .004	± .0001																					
	3 PLACES	± .005	± .0002																					
	2 PLACES	± .007	± .0003																					
1 PLACE	± .010	± .0004																						
0 PLACE	± .015	± .0006																						
ANGULAR ±1/2° DRAFT WHERE APPLICABLE MUST REMAIN WITHIN DIMENSIONS		DRAWN BY: PGIBLIN DATE: 2005/10/24	CHECKED BY: DATE:	TITLE FCII APC CONN. (BARE FIBER)																				
MATERIAL NO.		APPROVED BY: DATE:		DOCUMENT NO. SD-10605X-X500																				
SIZE B		SEE TABLE		SHEET NO. 1 OF 1																				
THIS DRAWING CONTAINS INFORMATION THAT IS PROPRIETARY TO MOLEX INCORPORATED AND SHOULD NOT BE USED WITHOUT WRITTEN PERMISSION																								