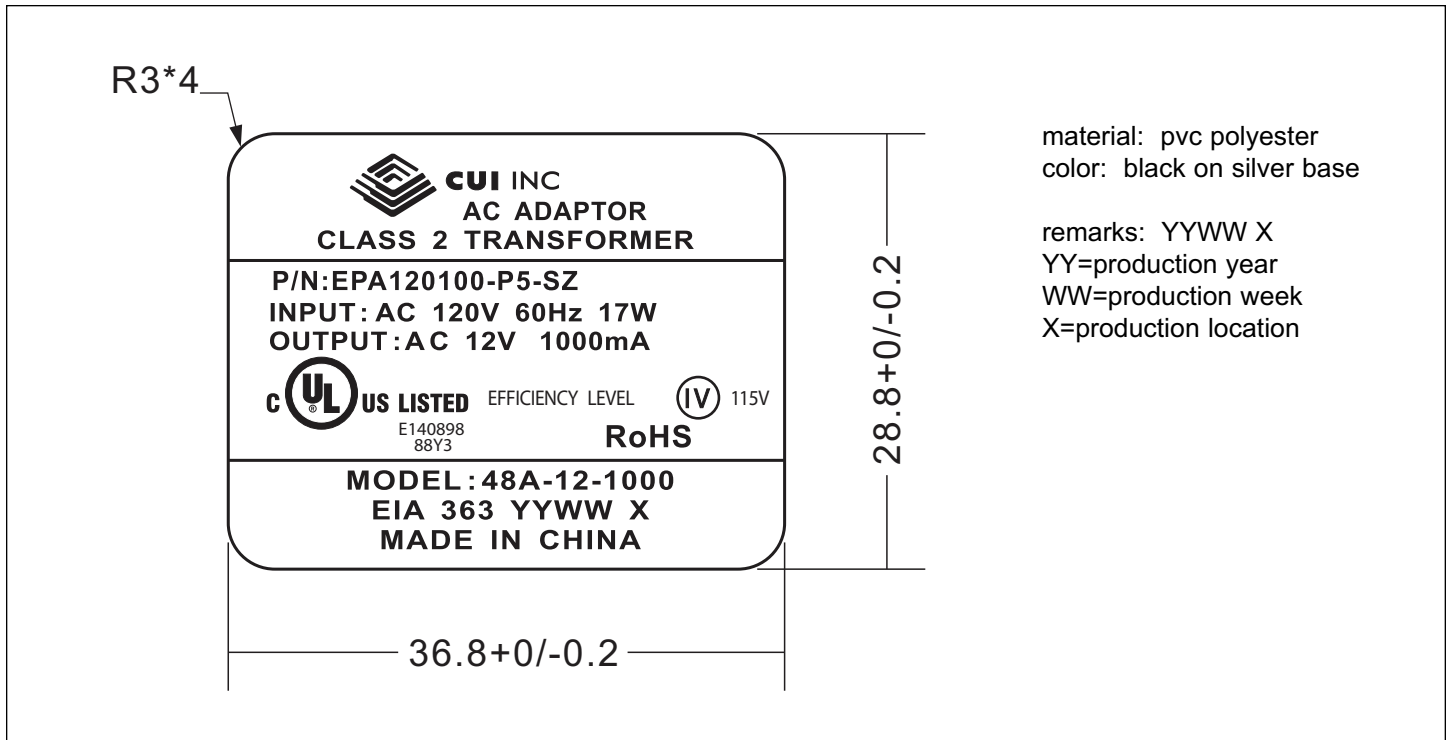


**PART NUMBER:** EPA120100-P5-SZ

**DESCRIPTION:** linear adapter

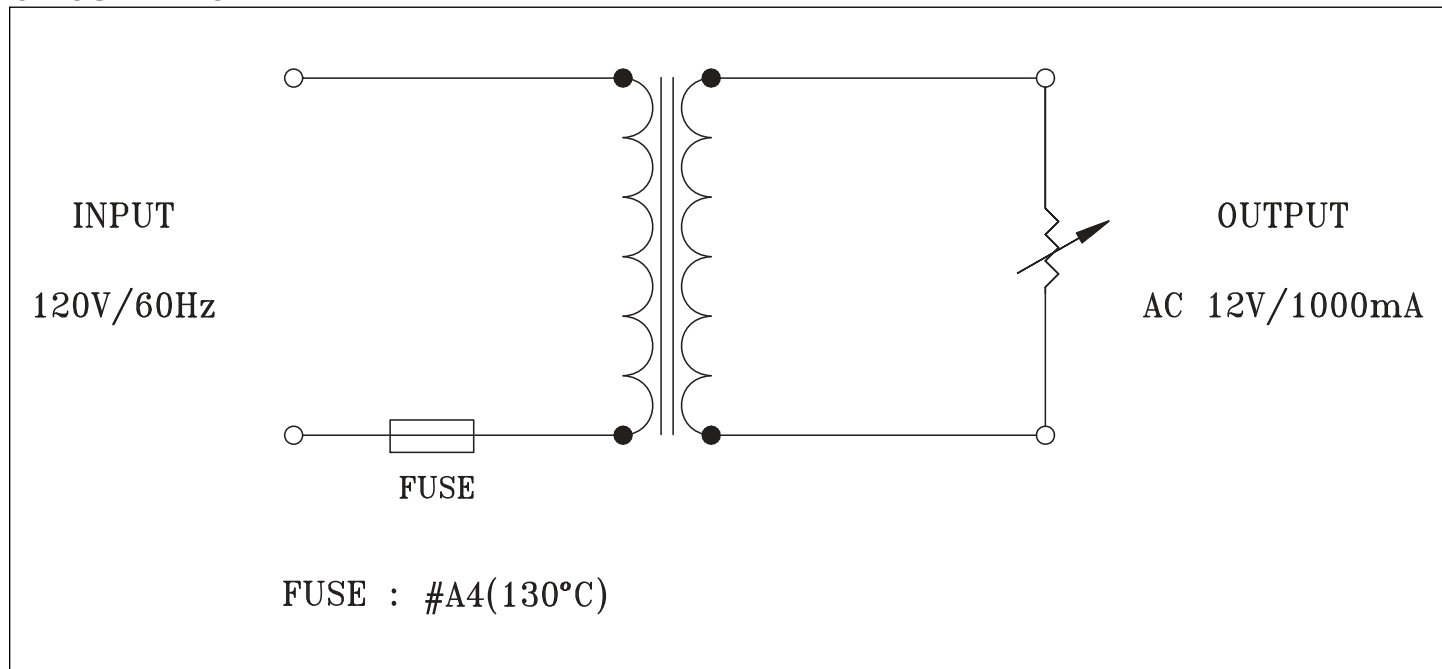
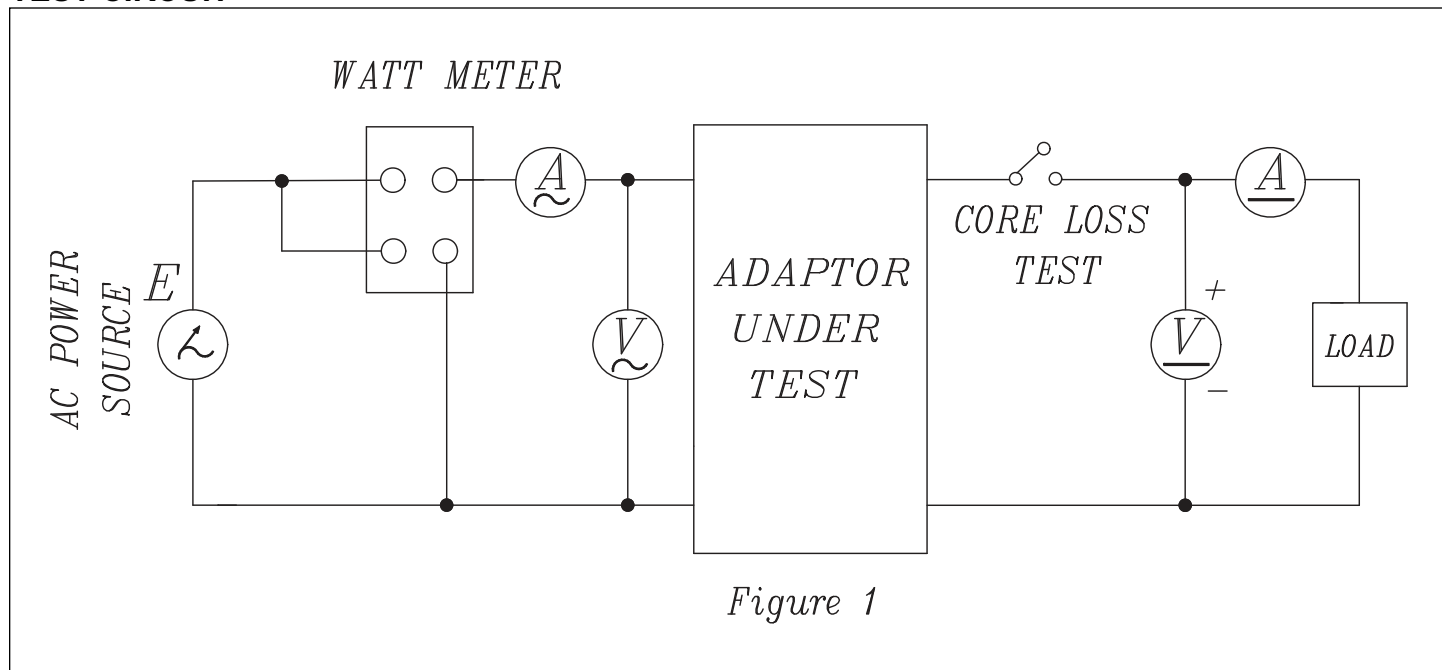
**SPECIFICATIONS**

output voltage	12 V ac at 1000 mA	
rated input voltage	120 V ac	
primary rated voltage	120 V ac 60 Hz 17 W	
primary exciting current	30 mA rms max.	
secondary rated voltage & current	no load voltage (max.)	15.6 V
	full load voltage (1000 mA)	12 V $\pm$ 5%
temperature rise of primary winding (full load)	70°C max. using resistance method	
insulation resistance	$\geq$ 100 M Ohm at 500 Vdc	
HI-POT test	primary to secondary	1240 V ac at 2 mA for 1 minute
	primary to secondary	1600 V ac at 2 mA for 1 second
	primary winding to secondary winding	1600 V ac at 2 mA for 1 second
	primary winding to core	1600 V ac at 2 mA for 1 second
	secondary winding to core	750 V ac at 2 mA for 1 second
safety standard	UL/cUL	
weight	388 g	
RoHS compliant	yes	
test conditions	ambient temp	40 $\pm$ 2°C
	humidity	90~95% 96 hours at Full Load
adapter color	case	black
	cord	black

**PART NUMBER:** EPA120100-P5-SZ**DESCRIPTION:** linear adapter**LABEL**

**PART NUMBER:** EPA120100-P5-SZ

**DESCRIPTION:** linear adapter

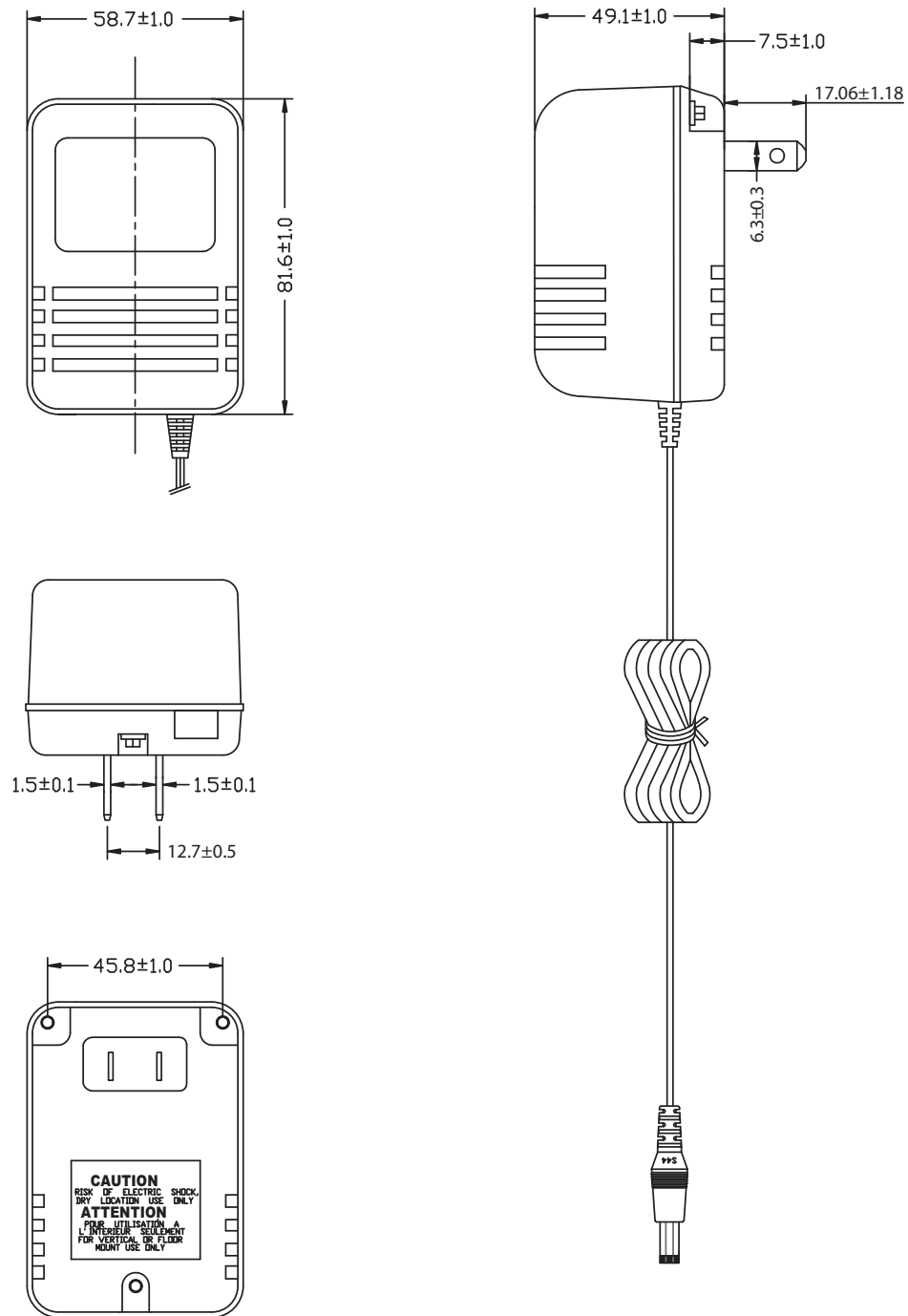
**CIRCUIT DIAGRAM**

**TEST CIRCUIT**


**PART NUMBER:** EPA120100-P5-SZ

**DESCRIPTION:** linear adapter

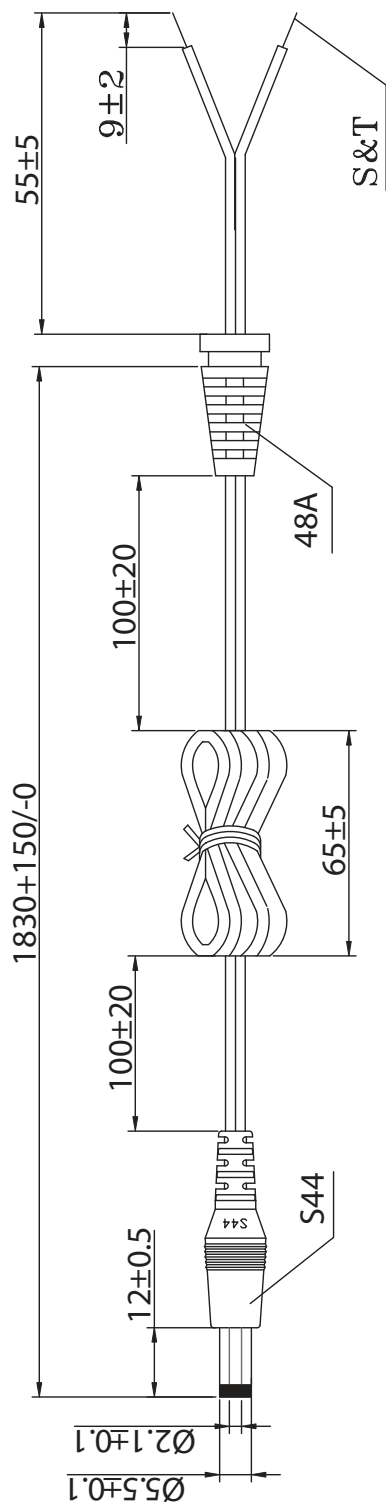
**MECHANICAL DRAWING**

tolerance	±1mm
weight	388 g



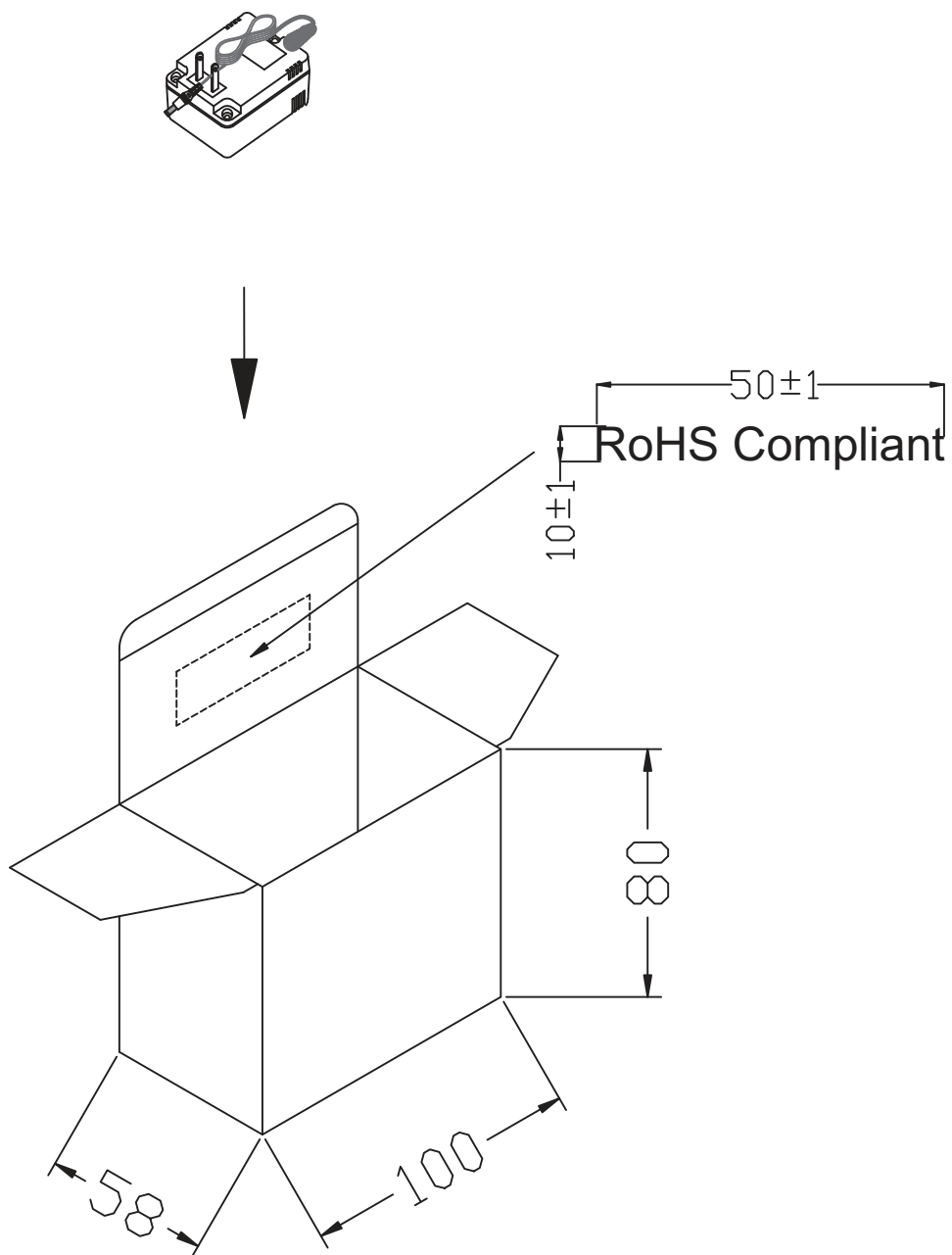
**PART NUMBER:** EPA120100-P5-SZ

**DESCRIPTION:** linear adapter

**DC CORD**


#22AWG X2C UL2468 HAVE ON WORD WIRE IN OUTER, NO WORD WIRE IN INNER  
 WIRE OD:  $\varnothing 1.7 \times 3.4$

Parameter request	a. $\pm 60^\circ$ b. WEIGHT 200g c. 40 ROUND/MINUTE d. OVER 1000 COUNT MIN
VIBRATION TEST	

**PART NUMBER:** EPA120100-P5-SZ**DESCRIPTION:** linear adapter**INDIVIDUAL PACKAGING**tolerance:  $\pm 1$ 

**PART NUMBER:** EPA120100-P5-SZ**DESCRIPTION:** linear adapter**PACKAGING**

tolerance: +7/-0

OUTSIDE CARTON:A=B(6mm)

INSIDE CARTON:B3B(3mm)

CARTON SIZE: 430x223x269mm

Q'TY: 40pcs(10X4X1)

