

6

5

4

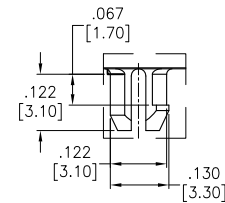
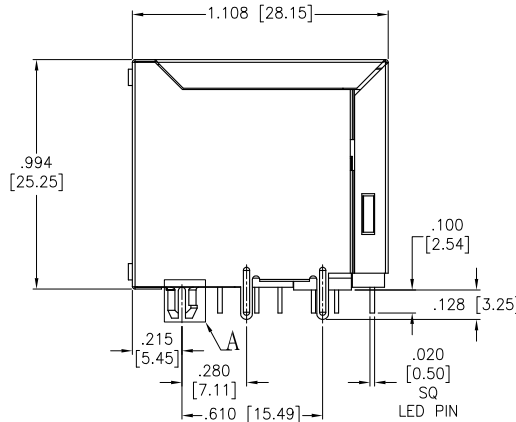
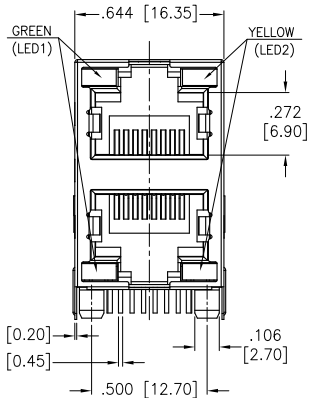
3

2

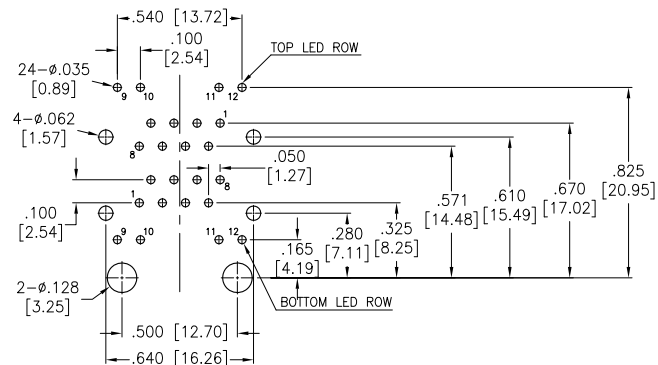
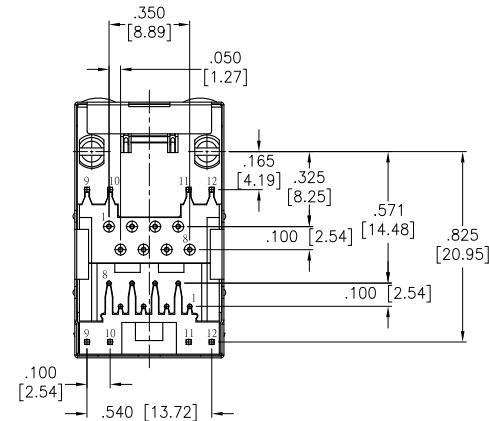
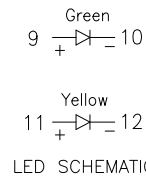
1

APPROVED: \_\_\_\_\_  
DATE: \_\_\_\_\_ TITLE: \_\_\_\_\_

Rev	AWO #	Description	Date	Appr
-		RELEASED	9/27/18	



DETAIL A 2:1



RECOMMENDED PCB LAYOUT

**SPECIFICATIONS:**

Material:  
Insulator: Hi-Temp Thermoplastic, rated UL 94V-0  
Inserter Color: Black  
Contacts: Phosphor Bronze  
Shield: Copper Alloy, Nickel plated  
Contacts Plating:  
Round contact  
Gold over Nickel underplate overall  
Flat contact  
Gold over Nickel underplate on contact area  
Tin over Nickel underplate on solder tails  
Electrical:  
Voltage rating: 150 VAC max  
Current rating: 1.5 Amp max  
Contact Resistance: 30 mohms max  
Insulation resistance: 500 Mohms min  
Dielectric withstanding voltage: 1000 VAC  
Temperature Rating:  
Operating temperature: -40°C to +85°C  
Environmental:  
Lead free, RoHS compliant.



UNLESS OTHERWISE SPECIFIED ALL DIMENSIONS ARE INCHES [MM] TOLERANCES: EXCEPT AS NOTED INCHES HOLES			
.X ± .10	Ø.X ± .10		
.XX ± .020	Ø.XX ± .015		
.XXX ± .015	Ø.XXX ± .010		
APPROVALS		DATE	
DRAWN	HR	9/27/18	
CHECKED	RC2	9/27/18	
APPROVED			

**ADAM TECH**  
INTERCONNECTS  
909 Rahway Avenue,  
Union, NJ 07083  
Phone: 908-687-5000  
Fax: 908-687-5710

TITLE  
MODULAR JACK GANGED, 2 PORT, 8P8C  
W/LED1 GREEN, W/LED2 YELLOW

SIZE	PART NO.	REV.
X	MTJG-2-88JX1-FSH-LH-Y-HT	-
REF: S00297T	SCALE: NTS	SHEET 1 OF 1

6

5

4

3

2

1