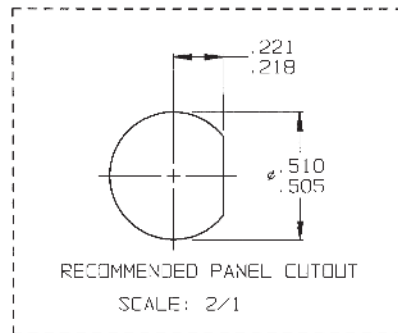
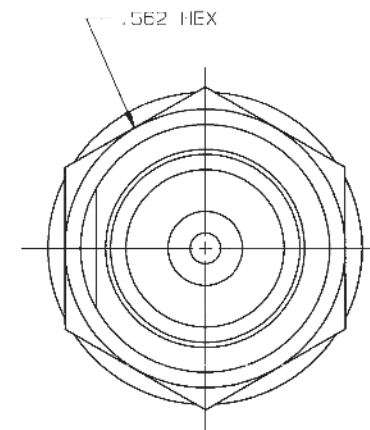
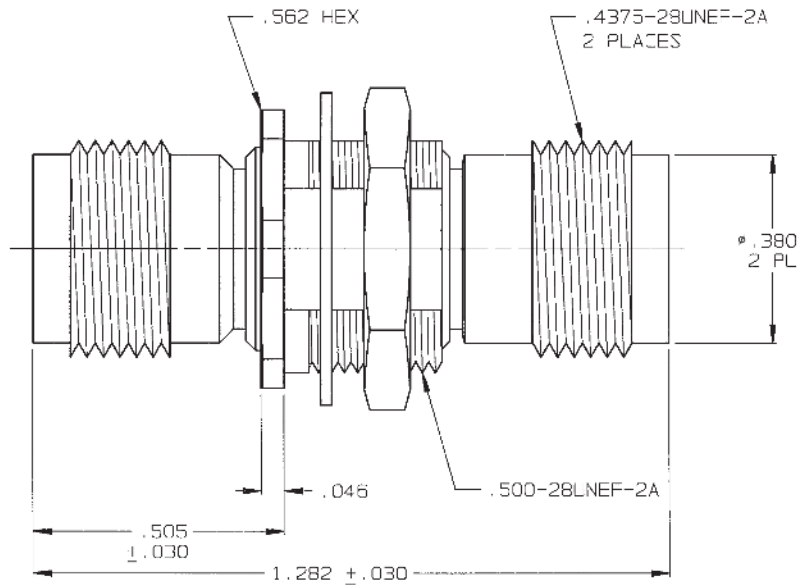


RED INDICATES ORIGINAL

DATA CONTAINED IN THIS DOCUMENT IS PROPRIETARY TO TROMPETER ELECTRONICS, INC. AND SHALL NOT BE LOANED, COPIED OR USED FOR REPRODUCTION IN ANY MANNER WITHOUT EXPRESS WRITTEN PERMISSION OF TROMPETER ELECTRONICS, INC.

REVISIONS		1-0048	SH 1C
REV	DESCRIPTION	DATE	APPROVED
D	REVISED PER ECO #13991	4/19/79	

DASH NO	MODEL NO	TMPC OHMS
-1	BJ48	50
-2	UBJ48	75



3. SOCKET CONTACT COAXIAL TNC TYPE INSULATED FEED THRU BULKHEAD JACK, 50 AND 75 OHM VERSIONS
2. MAX PANEL THK .156
1. ALL DIM ARE IN INCHES

DRAWN: DRK		DATE: 4-15-01	TOL: UNLESS SPECIFIED .XX .XXX ± .005 .XXXX ANGLES			TITLE: BJ48/UBJ48	
CHECKED:	DATE:	FINISH:	MATERIAL:			SIZE: B 14949	DRAWING NO.: 1-0048
APPROVED:	DATE:	TFS-1A (NICKEL)		SCALE: 4/1	DATE: 11-3-79	SHEET: 1C	
CAD FILE NO.: 1-0048D1		DO NOT SCALE DWG		NEXT ASSY:			