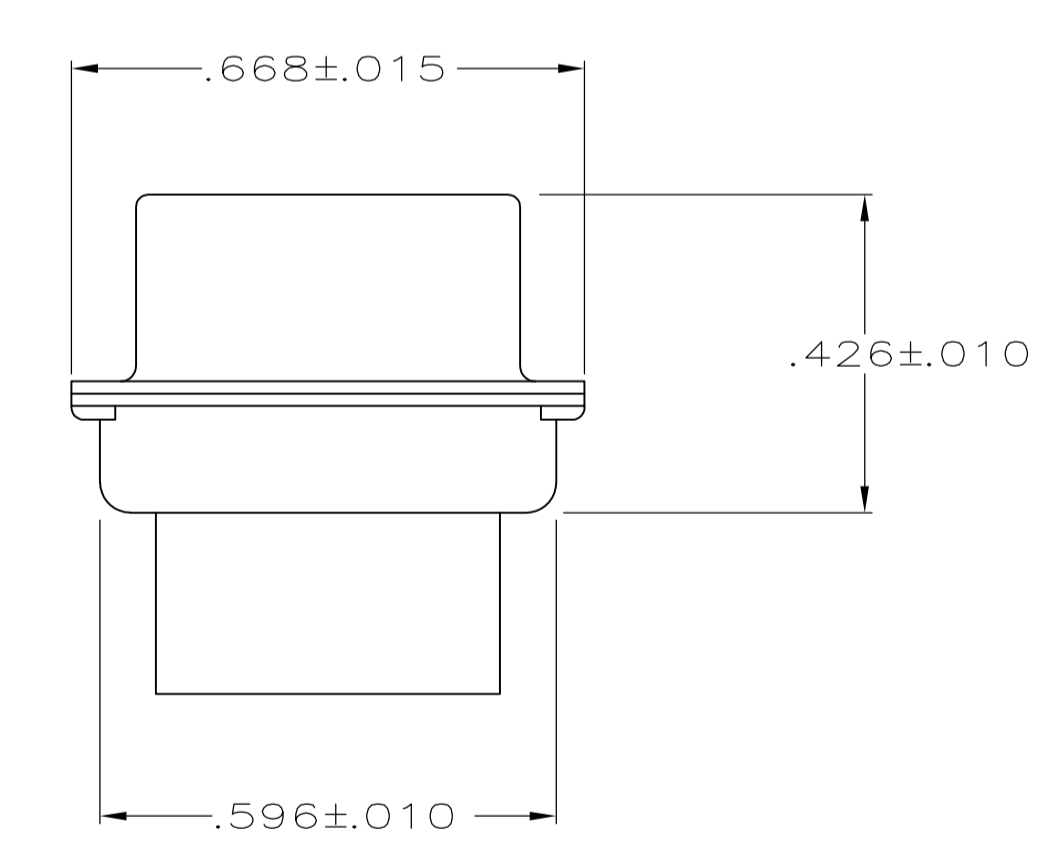
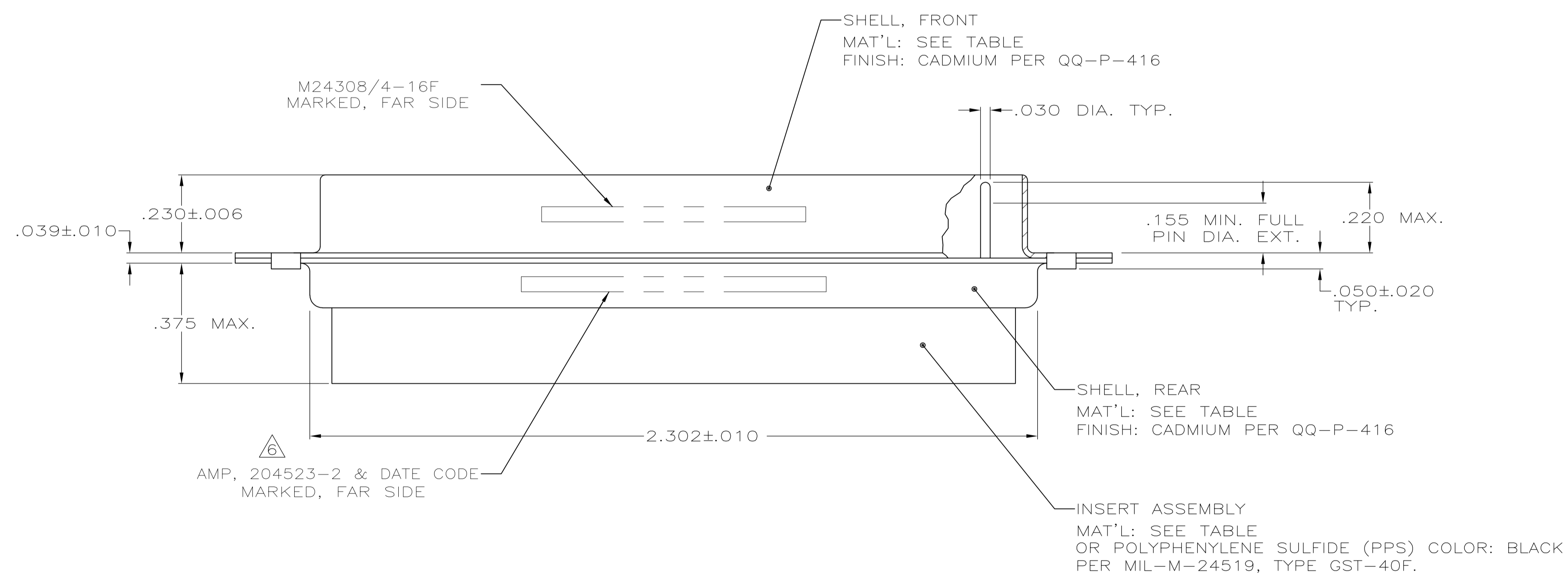
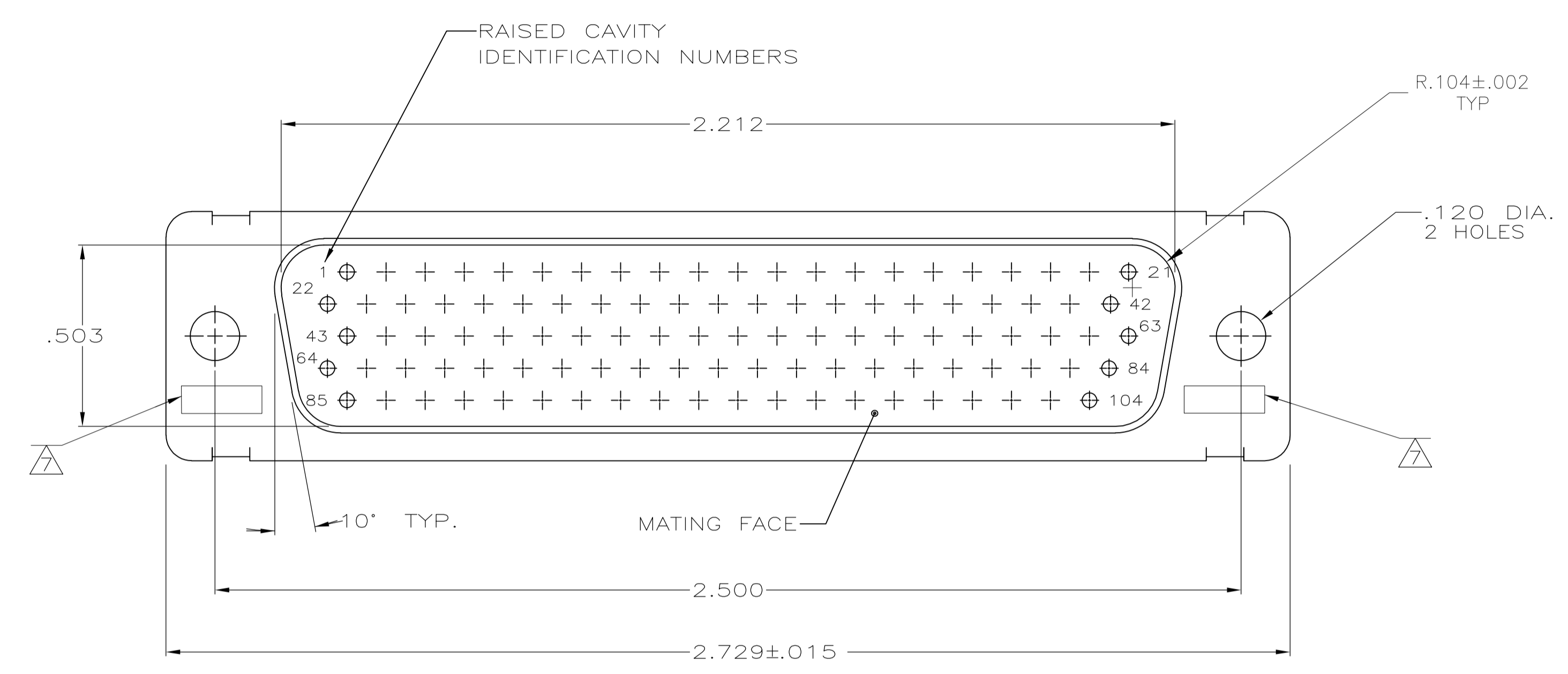


LOC		DIST		REVISIONS			
P	LTR	DESCRIPTION	DATE	DNW	APVD		
V		REV PER ECO-15--016062	09NOV15	KG	CD		



- THIS PLUG IS DESIGNED TO CONFORM TO THE LATEST ISSUE OF MIL-C-24308
- MAX WIRE INSUL. TO BE USED WITH THIS PLUG IS .054 DIA.
- METAL RETENTION CLIPS ARE INCLUDED IN INSERTS
- PACKAGE MARKED M24308/4-269F
- THIS PLUG WILL ACCEPT SIZE 22 PIN CONTACT M 39029/58-360 OR ANY AMP HDD-22 PIN CONTACT
- AMP PART NO. MARKED ON CONNECTOR REPRESENTS KIT NUMBER WITH CONTACTS
- UL/CSA DESIGNATION MARKED IN THIS AREA. OPTIONAL

OBSELETE	STEEL, CLASS G	PHENOLIC COLOR: BLACK	204511-3
SUPSD BY 206066-4	BRASS	DIALLYL PATHALATE COLOR: BLUE	204511-2
	STEEL, CLASS G	DIALLYL PATHALATE COLOR: BLUE	204511-1
	SHELL MAT'L	INSERT MAT'L	INSERT MAT'L

THIS DRAWING IS A CONTROLLED DOCUMENT.

DIMENSIONS: INCHES	TOLERANCES UNLESS OTHERWISE SPECIFIED:	0. PLC ± -	1. PLC ± -	2. PLC ± -	3. PLC ± .005	4. PLC ANGLES ± -					
SEE TABLE	SEE CALLOUTS	WEIGHT	—	SIZE	A1	CAGE CODE	00779	DRAWING NO.	204511	RESTRICTED TO	—
CUSTOMER DRAWING			SCALE	4:1	SHEET	1	OF	1	REV	V	

STE TE Connectivity  
AMPLIMITE PLUG FOR PIN CONTACTS  
HI-DENSITY D CONNECTOR  
SIZE 6 (104 POSN) SERIES 90