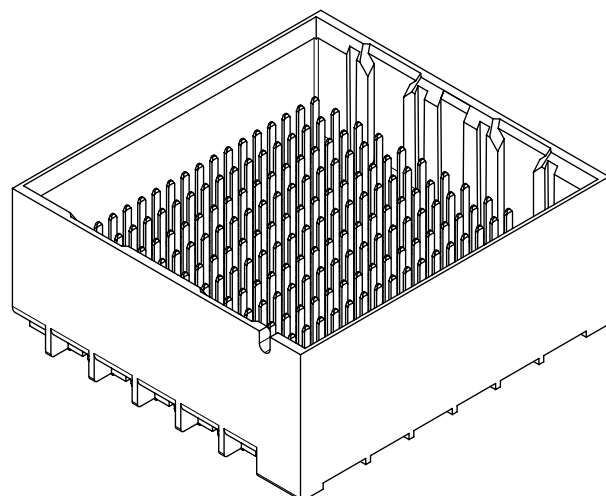


- NOTES:
- MATERIALS: HOUSING - LIQUID CRYSTAL POLYMER (LCP)
GLASS-FILLED, UL94V-0
TERMINALS - HIGH PERFORMANCE COPPER ALLOY
 - FINISH: 30μ MIN. GOLD IN CONTACT AREA.
SELECTIVE TIN ON PCB TAILS.
NICKEL OVERALL.
 - REFER TO MOLEX PRODUCT SPECIFICATION PS-76060-999 FOR PERFORMANCE SPECIFICATIONS AND ADDITIONAL PCB INFORMATION.
 - THIS PART CONFORMS TO CLASS B REQUIREMENTS OF MOLEX COSMETIC SPEC PS-45499-002.
 - PACKAGE PER: PK-70873-760.
 - SEE SHEETS 2 & 3 FOR PART NUMBERS AND BOARD RELATIONSHIPS.
 - MATES WITH IMPACT ORTHO DC SERIES NO. 76290.
 - REFER TO MOLEX PCB ROUTING GUIDE AS-76060-990 FOR ANTIPAD AND ROUTING RECOMMENDATIONS.
 - THESE DIMENSIONS REPRESENT THE AREA NEEDED TO ACCOMMODATE CONNECTOR INSERTION AND REPAIR ON THE PC BOARD. THIS IS REFERRED TO AS THE "CONNECTOR KEEP OUT ZONE" AND DOES NOT REPRESENT THE ACTUAL PERIMETER OF THE CONNECTOR. WHEN LAYING OUT A PC BOARD FOR CONNECTORS STACKED TOGETHER, USE A 1.9mm PROGRESSION.

THIS DRAWING CONTAINS INFORMATION THAT IS PROPRIETARY TO MOLEX ELECTRONIC TECHNOLOGIES, LLC AND SHOULD NOT BE USED WITHOUT WRITTEN PERMISSION												
MIGRATED TO NX EC NO: 167486 DRWN: ABABU01 CHKD: CD REV / APPR: GGA	GENERAL TOLERANCES (UNLESS SPECIFIED)		DIMENSION UNITS	SCALE								
	ANGULAR TOL ± 0.5 °		MM	4:1								
	4 PLACES ±	DRWN BY	DATE	JMENDOZA 2012/09/25								
	3 PLACES ±	CHKD BY	DATE	TELO 2012/09/25								
2 PLACES ± 0.13	APPR BY	DATE	TELO 2016/02/22		PRODUCT CUSTOMER DRAWING		SERIES	MATERIAL NUMBER	CUSTOMER			
1 PLACE ± 0.25	DRAFT WHERE APPLICABLE MUST REMAIN WITHIN DIMENSIONS		DRAWING SIZE	THIRD ANGLE PROJECTION	76289		SEE CHART	GENERAL MARKET				
0 PLACES ±			C		DOCUMENT NUMBER		SD-76289-0001	DOC TYPE	DOC PART	SHEET NUMBER		
							PSD	001	1 OF 3			

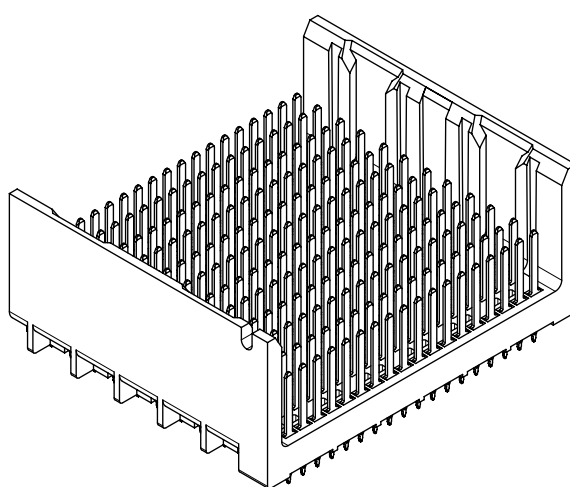
PART NUMBER CHART

MATERIAL NUMBER	# OF COLUMNS	# OF DIFF. PAIR	DIM. A	DIM. B	DUAL END WALL OPTION
76289-112*	10	60	22.90	18.10	
76289-122*	12	72	26.95	22.15	



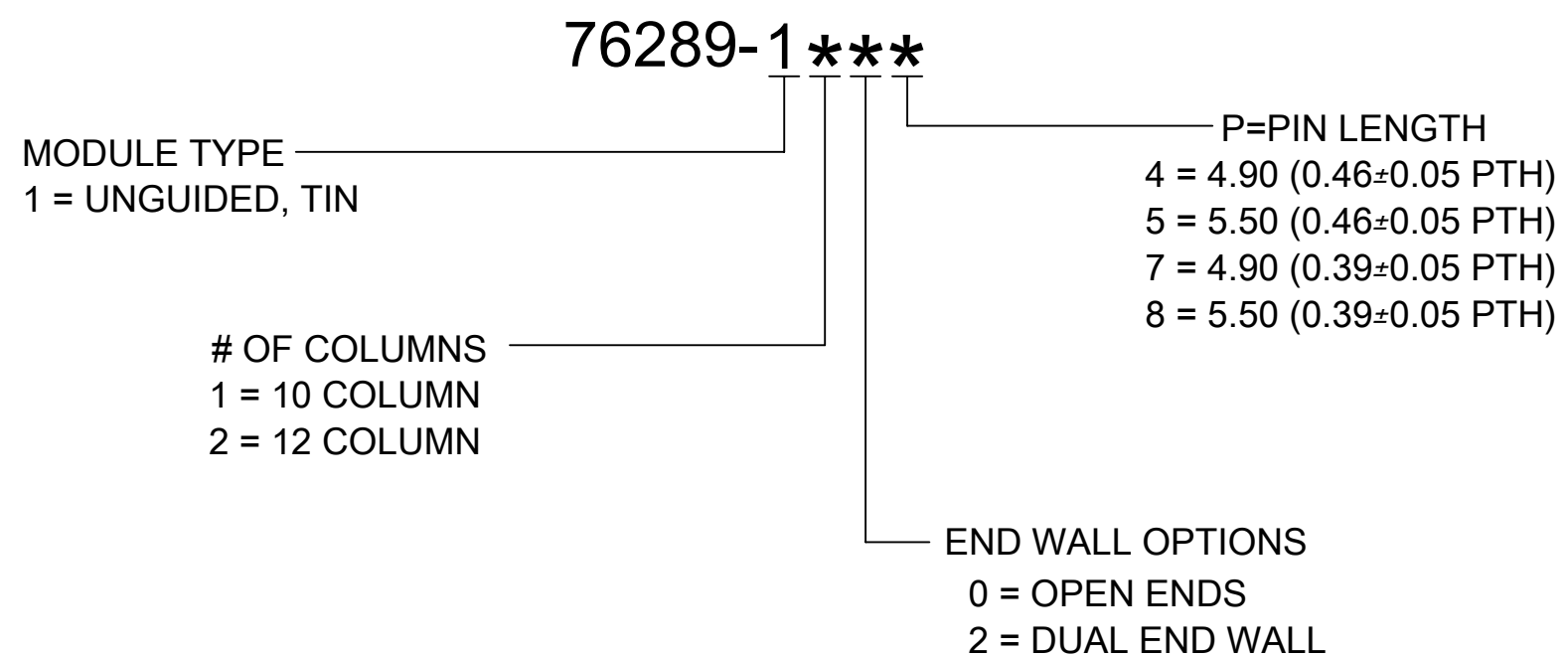
DUAL END WALL OPTION

MATERIAL NUMBER	# OF COLUMNS	# OF DIFF. PAIR	DIM. A	DIM. B	OPEN WALL OPTION
76289-110*	10	60	20.10	18.10	
76289-120*	12	72	24.15	22.15	



OPEN WALL OPTION

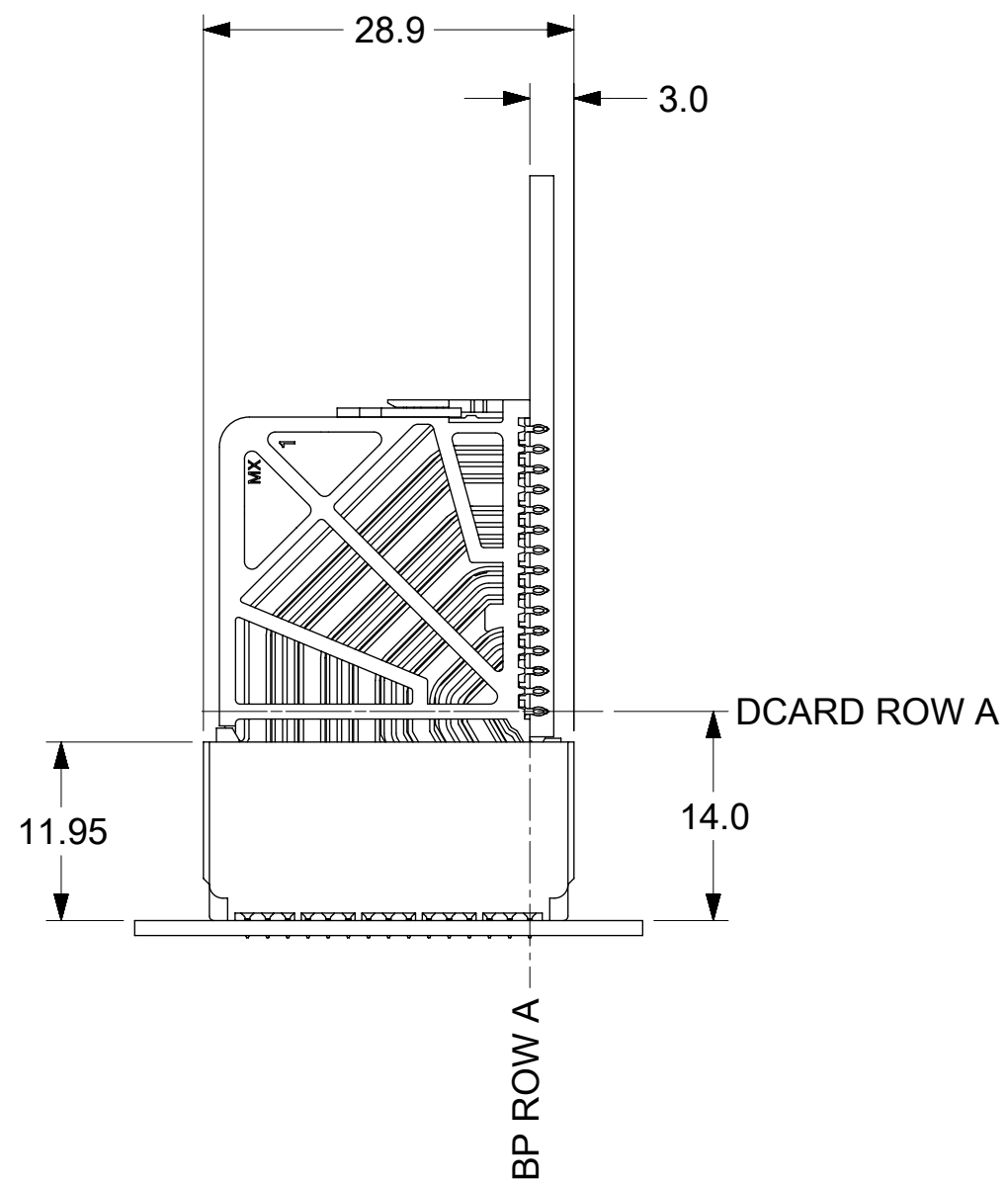
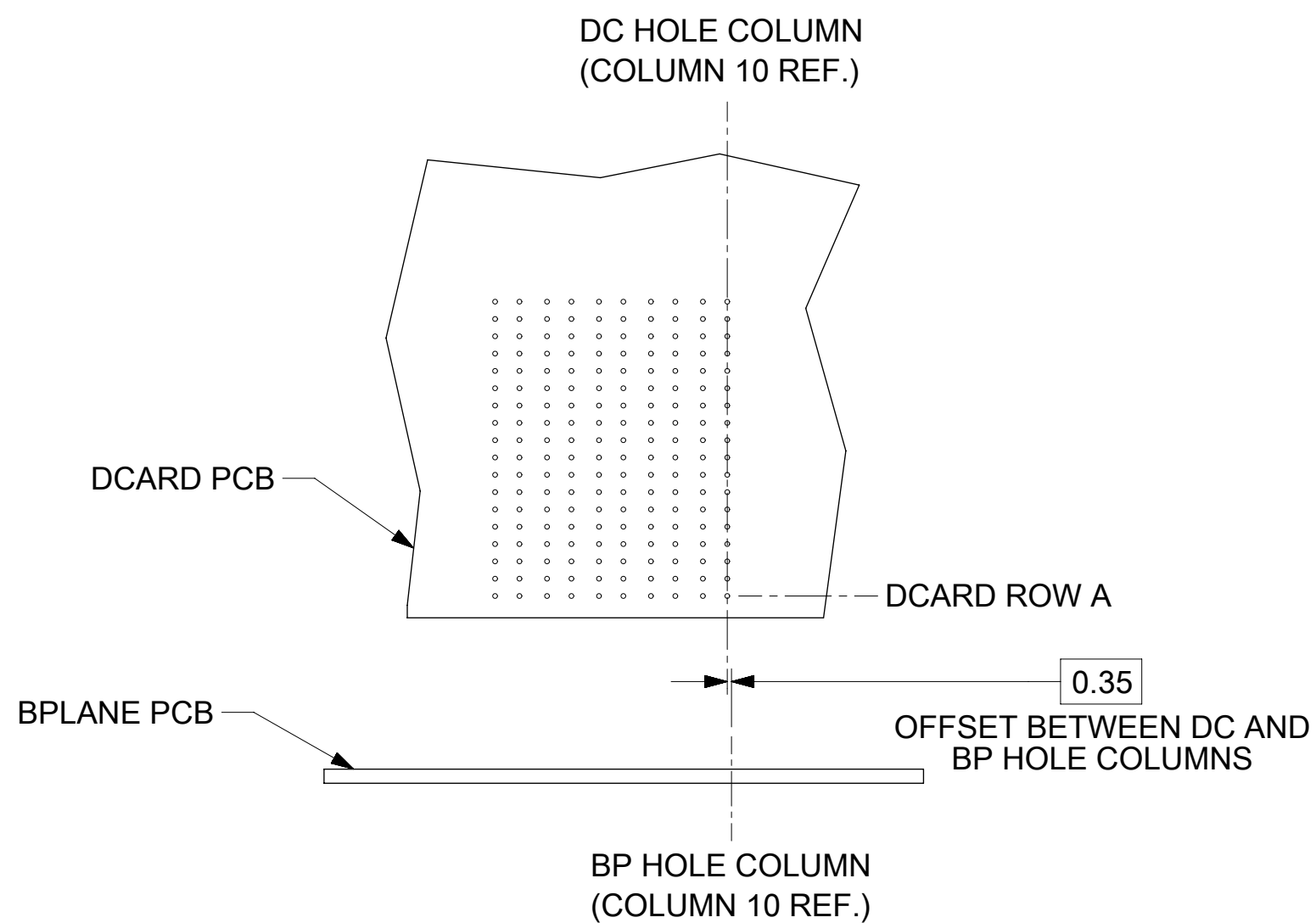
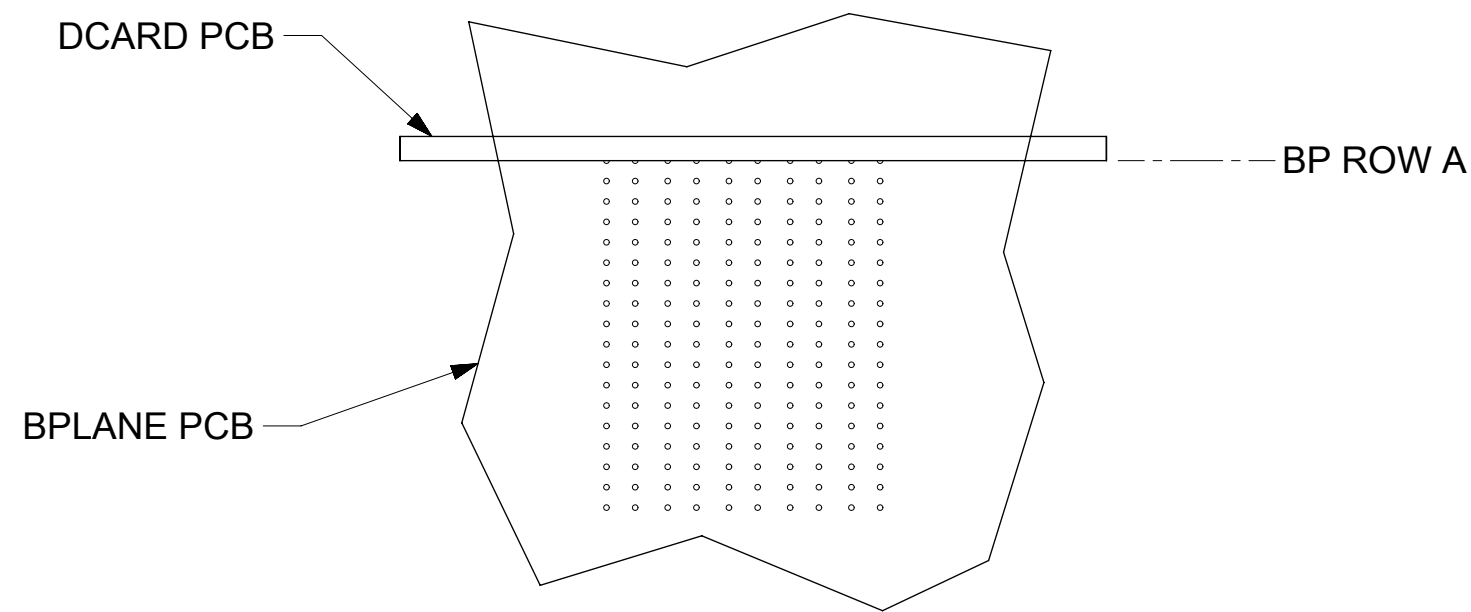
PART NUMBER LOGIC



THIS DRAWING CONTAINS INFORMATION THAT IS PROPRIETARY TO MOLEX ELECTRONIC TECHNOLOGIES, LLC AND SHOULD NOT BE USED WITHOUT WRITTEN PERMISSION

MIGRATED TO NX EC NO: 167486 DRWN: ABABU01 CHKD: CD REV / APPR: GGA	2017/10/31	2017/10/31	2017/11/02	GENERAL TOLERANCES (UNLESS SPECIFIED) ANGULAR TOL ± 0.5 °	DIMENSION UNITS	SCALE			
	4 PLACES	±	DRWN BY		DATE	MM		2:1	
	3 PLACES	±	JMENDOZA		2012/09/25	DRWN BY		DATE	
	2 PLACES	± 0.13	TELO		2012/09/25	CHKD BY		DATE	
	1 PLACE	± 0.25	TELO		2016/02/22	APPR BY		DATE	
0 PLACES	±	TELO	2016/02/22	DRAWING SIZE	THIRD ANGLE PROJECTION	SERIES	MATERIAL NUMBER	CUSTOMER	
DRAFT WHERE APPLICABLE MUST REMAIN WITHIN DIMENSIONS				C		76289	SEE CHART	GENERAL MARKET	
					DOCUMENT NUMBER		DOC TYPE	DOC PART	SHEET NUMBER
					SD-76289-0001		PSD	001	2 OF 3

IMPACT 6 PAIR ORTHO MATE BOARD RELATIONSHIPS



THIS DRAWING CONTAINS INFORMATION THAT IS PROPRIETARY TO MOLEX ELECTRONIC TECHNOLOGIES, LLC AND SHOULD NOT BE USED WITHOUT WRITTEN PERMISSION

MIGRATED TO NX EC NO: 167486 DRWN: ABABU01 CHKD: CD REV / APPR: GGA	2017/10/31		GENERAL TOLERANCES (UNLESS SPECIFIED)		DIMENSION UNITS	SCALE	molex IMPACT 6 PAIR ORTHO MATE UNGUIDED HEADER ASSEMBLY SALES DRAWING PRODUCT CUSTOMER DRAWING	
	2017/10/31		ANGULAR TOL ± 0.5 °		MM	2:1		
	2017/11/02		4 PLACES ±		DRWN BY	DATE		JMENDOZA 2012/09/25
			3 PLACES ±		CHKD BY	DATE		TELO 2012/09/25
		2 PLACES ± 0.13		APPR BY	DATE	TELO 2016/02/22	SERIES	
		1 PLACE ± 0.25		DRAWING SIZE	THIRD ANGLE PROJECTION	C	76289	
		0 PLACES ±					SEE CHART	
		DRAFT WHERE APPLICABLE MUST REMAIN WITHIN DIMENSIONS					CUSTOMER	
							GENERAL MARKET	
							DOCUMENT NUMBER	
							SD-76289-0001	
							DOC TYPE	
							PSD	
							DOC PART	
							001	
							SHEET NUMBER	
							3 OF 3	