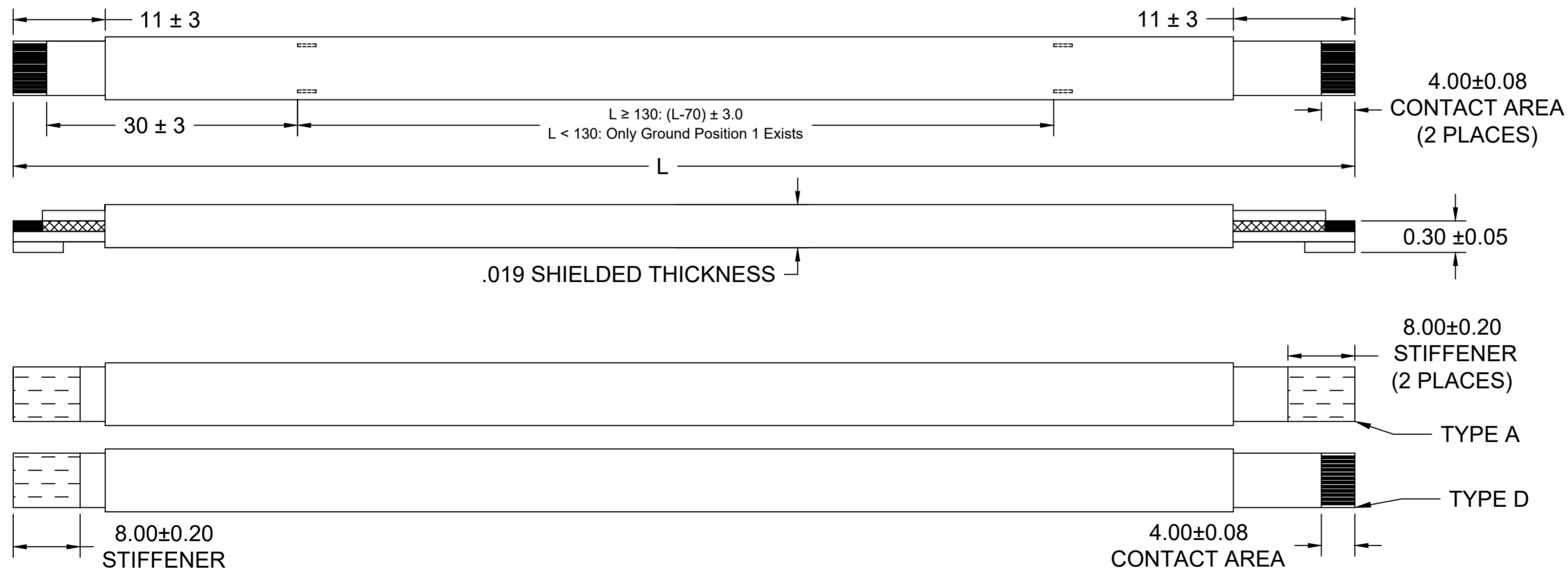


0.50mm PITCH FLAT FLEXIBLE CABLE (SHIELDED, 105°C, Sn PLATING)

Table with columns for dimensions (2 inches to 12 inches), cable type (A/D), and part numbers (6 to 50).

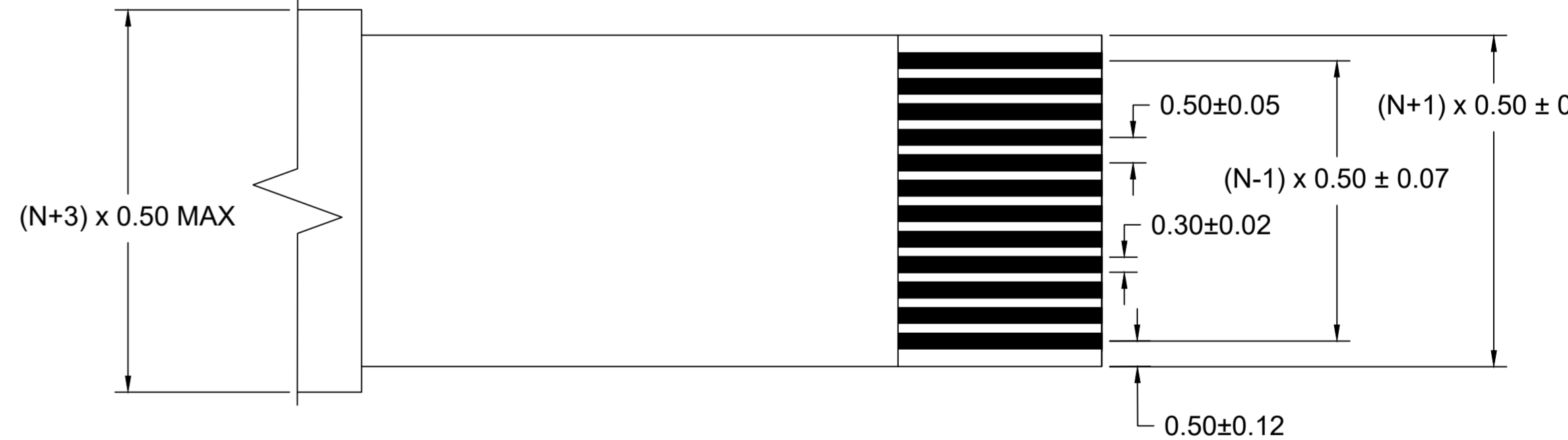
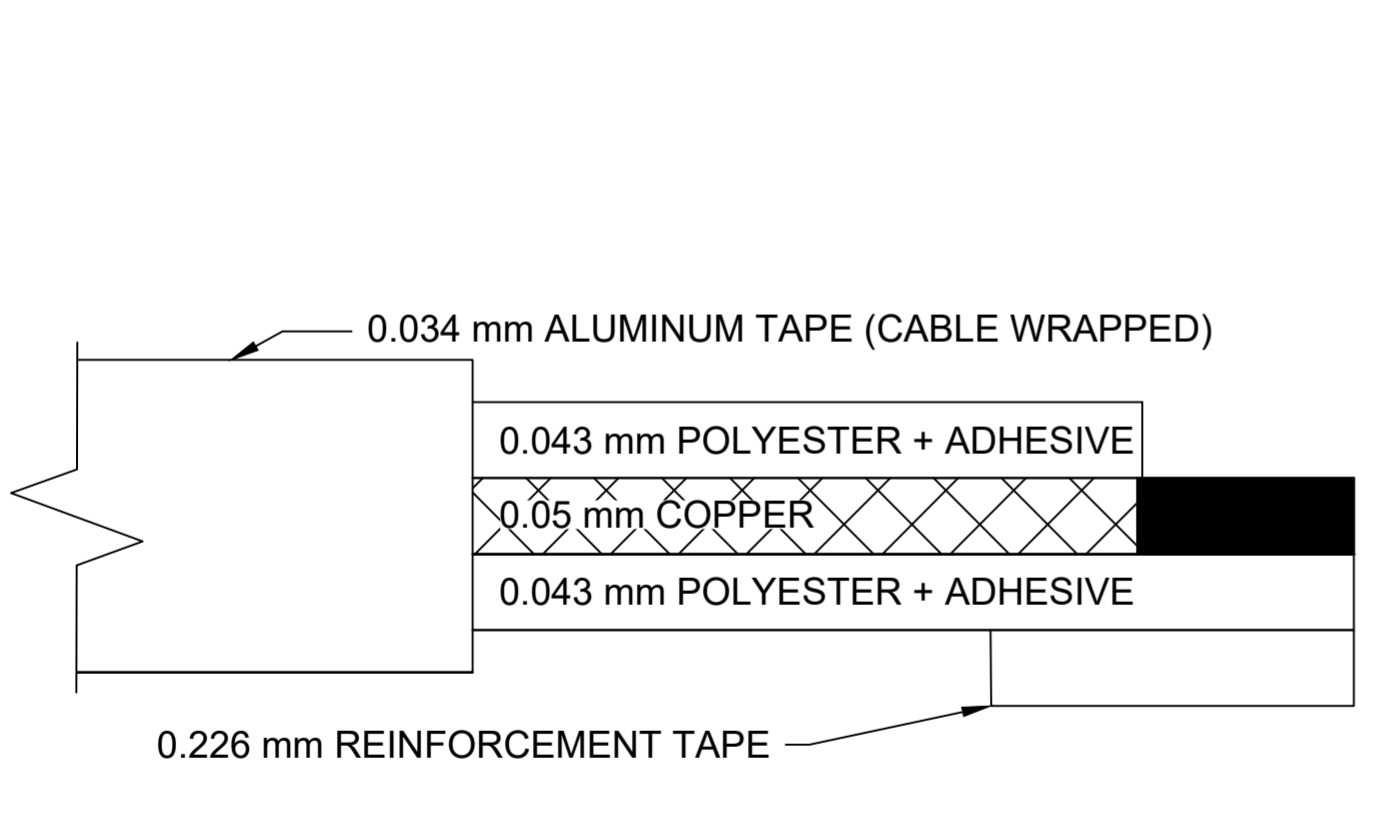


- NOTES: 1. NO PRINTING ON JUMPER CABLE... 2. FOR ODD CIRCUIT COUNT... 3. CABLES MATE WITH MOLEX FFC/FPC CONNECTOR SERIES # 52745, 52746 & 52559

THIS DRAWING CONTAINS INFORMATION THAT IS PROPRIETARY TO MOLEX ELECTRONIC TECHNOLOGIES, LLC... DIMENSION UNITS: MM, SCALE: 2:1, CURRENT REV DESC: DRAWING CORRECTION. Includes MoLEX logo and product information.

0.50mm PITCH FLAT FLEXIBLE CABLE (SHIELDED, 105°C, Sn PLATING)

"L" DIM. →	51 ± 2 MM		76 ± 3 MM		102 ± 3 MM		127 ± 4 MM		152 ± 4 MM		178 ± 4 MM		203 ± 4 MM		229 ± 5 MM		254 ± 5 MM		305 ± 5 MM	
REF DIM →	(2 INCHES)		(3 INCHES)		(4 INCHES)		(5 INCHES)		(6 INCHES)		(7 INCHES)		(8 INCHES)		(9 INCHES)		(10 INCHES)		(12 INCHES)	
CABLE TYPE →	A		D		A		D		A		D		A		D		A		D	
CIRCUITS ↓	A	D	A	D	A	D	A	D	A	D	A	D	A	D	A	D	A	D	A	D
7	153660747	153660746	153660749	153660748	153660751	153660750	153660753	153660752	153660755	153660754	153660757	153660756	153660759	153660758	153660761	153660760	153660763	153660762	153660765	153660764
9	153660769	153660768	153660771	153660770	153660773	153660772	153660775	153660774	153660777	153660776	153660779	153660778	153660781	153660780	153660783	153660782	153660785	153660784	153660787	153660786
11	153660791	153660790	153660793	153660792	153660795	153660794	153660797	153660796	153660799	153660798	153660801	153660800	153660803	153660802	153660805	153660804	153660807	153660806	153660809	153660808
13	153660813	153660812	153660815	153660814	153660817	153660816	153660819	153660818	153660821	153660820	153660823	153660822	153660825	153660824	153660827	153660826	153660829	153660828	153660831	153660830
15	153660835	153660834	153660837	153660836	153660839	153660838	153660841	153660840	153660843	153660842	153660845	153660844	153660847	153660846	153660849	153660848	153660851	153660850	153660853	153660852
17	153660857	153660856	153660859	153660858	153660861	153660860	153660863	153660862	153660865	153660864	153660867	153660866	153660869	153660868	153660871	153660870	153660873	153660872	153660875	153660874
19	153660879	153660878	153660881	153660880	153660883	153660882	153660885	153660884	153660887	153660886	153660889	153660888	153660891	153660890	153660893	153660892	153660895	153660894	153660897	153660896
21	153660901	153660900	153660903	153660902	153660905	153660904	153660907	153660906	153660909	153660908	153660911	153660910	153660913	153660912	153660915	153660914	153660917	153660916	153660919	153660918
23	153660923	153660922	153660925	153660924	153660927	153660926	153660929	153660928	153660931	153660930	153660933	153660932	153660935	153660934	153660937	153660936	153660939	153660938	153660941	153660940
25	153660945	153660944	153660947	153660946	153660949	153660948	153660951	153660950	153660953	153660952	153660955	153660954	153660957	153660956	153660959	153660958	153660961	153660960	153660963	153660962
27	153660967	153660966	153660969	153660968	153660971	153660970	153660973	153660972	153660975	153660974	153660977	153660976	153660979	153660978	153660981	153660980	153660983	153660982	153660985	153660984
29	153660989	153660988	153660991	153660990	153660993	153660992	153660995	153660994	153660997	153660996	153660999	153660998	153661001	153661000	153661003	153661002	153661005	153661004	153661007	153661006
31	153661011	153661010	153661013	153661012	153661015	153661014	153661017	153661016	153661019	153661018	153661021	153661020	153661023	153661022	153661025	153661024	153661027	153661026	153661029	153661028
33	153661033	153661032	153661035	153661034	153661037	153661036	153661039	153661038	153661041	153661040	153661043	153661042	153661045	153661044	153661047	153661046	153661049	153661048	153661051	153661050
35	153661055	153661054	153661057	153661056	153661059	153661058	153661061	153661060	153661063	153661062	153661065	153661064	153661067	153661066	153661069	153661068	153661071	153661070	153661073	153661072
37	153661077	153661076	153661079	153661078	153661081	153661080	982331083	153661082	153661085	153661084	153661087	153661086	153661089	153661088	153661091	153661090	153661093	153661092	153661095	153661094
39	153661099	153661098	153661101	153661100	153661103	153661102	153661105	153661104	153661107	153661106	153661109	153661108	153661111	153661110	153661113	153661112	153661115	153661114	153661117	153661116
41	153661121	153661120	153661123	153661122	153661125	153661124	153661127	153661126	153661129	153661128	153661131	153661130	153661133	153661132	153661135	153661134	153661137	153661136	153661139	153661138
43	153661143	153661142	153661145	153661144	153661147	153661146	153661149	153661148	153661151	153661150	153661153	153661152	153661155	153661154	153661157	153661156	153661159	153661158	153661161	153661160
45	153661165	153661164	153661167	153661166	153661169	153661168	153661171	153661170	153661173	153661172	153661175	153661174	153661177	153661176	153661179	153661178	153661181	153661180	153661183	153661182
47	153661187	153661186	153661189	153661188	153661191	153661190	153661193	153661192	153661195	153661194	153661197	153661196	153661199	153661198	153661201	153661200	153661203	153661202	153661205	153661204
49	153661209	153661208	153661211	153661210	153661213	153661212	153661215	153661214	153661217	153661216	153661219	153661218	153661221	153661220	153661223	153661222	153661225	153661224	153661227	153661226



NOTES:

- NO PRINTING ON JUMPER CABLE UNLESS OTHERWISE SPECIFIED. IF PRINTING IS REQUIRED, THEN IT WOULD BE CONSIDERED A SPECIAL JUMPER CABLE.
- CABLES MATE WITH MOLEX FFC/FPC CONNECTOR SERIES # 52745, 52746 & 52559

THIS DRAWING CONTAINS INFORMATION THAT IS PROPRIETARY TO MOLEX ELECTRONIC TECHNOLOGIES, LLC AND SHOULD NOT BE USED WITHOUT WRITTEN PERMISSION										
DIMENSION UNITS	SCALE	CURRENT REV DESC: DRAWING CORRECTION								
MM	NA	molex 0.50MM CENTER FLAT FLEXIBLE CABLE (SHIELDED, 105°C, SN PLATING) SALES DRAWING PRODUCT CUSTOMER DRAWING								
GENERAL TOLERANCES (UNLESS SPECIFIED)										
	mm									INCH
4 PLACES	±----									±----
3 PLACES	±----	±----								
2 PLACES	±----	±----								
1 PLACE	±----	±----								
0 PLACES	±----	±----								
ANGULAR TOL ± 0.5 °	EC NO: 728054 DRWN: DIEGOG7 2022/11/10 CHK'D: JSMITH11 2022/11/14 APPR: JSMITH11 2022/11/14 INITIAL REVISION: DRWN: MSHANNON 2020/04/09 APPR: JSMITH11 2020/08/10									
DRAFT WHERE APPLICABLE MUST REMAIN WITHIN DIMENSIONS	THIRD ANGLE PROJECTION	DRAWING	SERIES	MATERIAL NUMBER	CUSTOMER	DOCUMENT NUMBER	DOC TYPE	DOC PART	REVISION	
		C-SIZE	15366	SEE CHART	GENERAL MARKET	153660001	PSD	001	C	
DOCUMENT STATUS	P1	RELEASE DATE	2022/11/14	14:34:27						
SHEET NUMBER	2	2 OF 2								