

**DESIGNED & DIMENSIONED
IN MILLIMETERS [INCHES]**

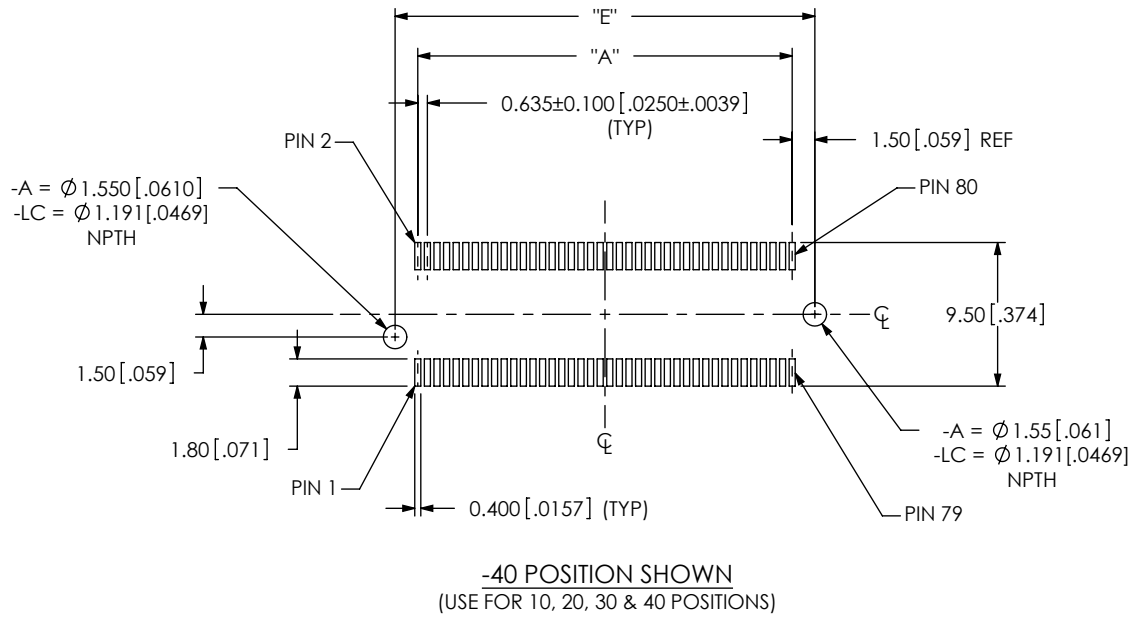


TABLE 2

POSITION	"A"	"E"
-10	5.72 [.225]	8.72 [.343]
-20	12.07 [.475]	15.07 [.593]
-30	18.42 [.725]	21.42 [.843]
-40	24.77 [.975]	27.77 [1.093]

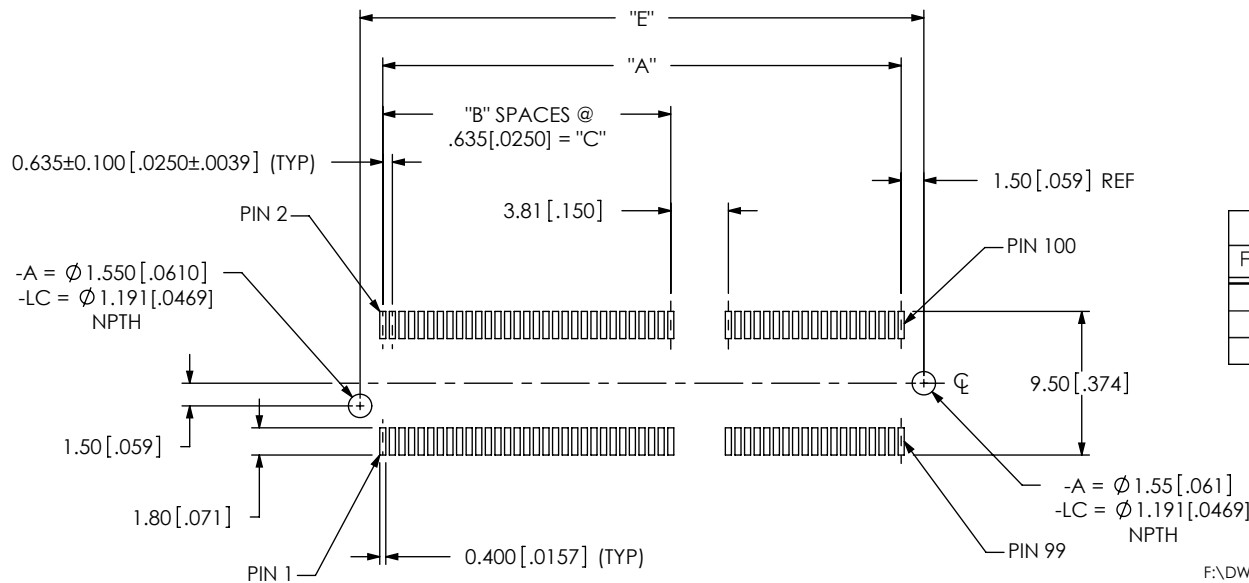


TABLE 1

POSITION	"A"	"B"	"C"	"E"
-50	34.29 [1.350]	30	19.050 [.7500]	37.29 [1.468]
-60	40.64 [1.600]	36	22.860 [.9000]	43.64 [1.718]
-70	46.99 [1.850]	42	26.670 [1.0500]	49.99 [1.968]

F:\DWG\MISC\mktg\FOOTPRINT\MEC6-1XX-XX-X-DV-XX-FOOTPRINT.SLDDRW

UNLESS OTHERWISE SPECIFIED
TOLERANCES ARE:

DECIMALS

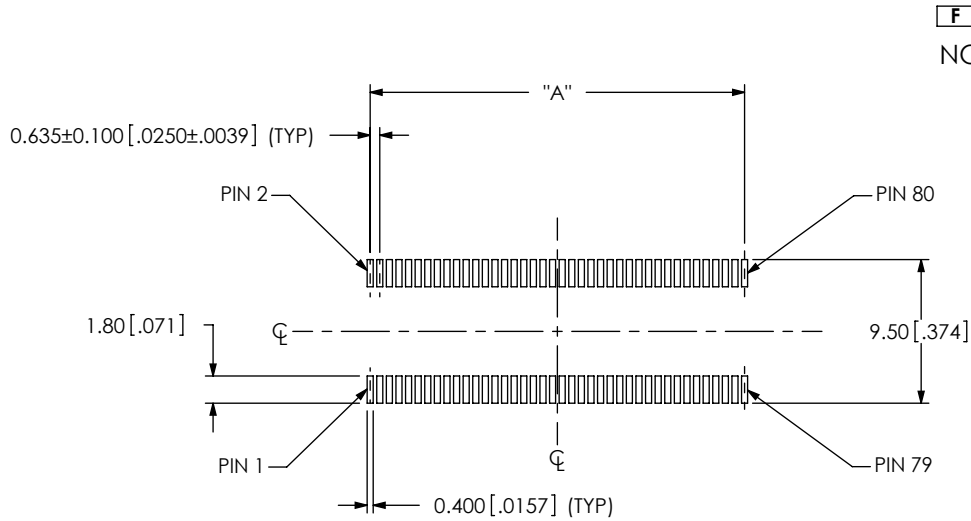
.X: ±.3 [.01]
.XX: ±.10 [.004]
.XXX: ±.050 [.0020]

PROPRIETARY NOTE

THIS DOCUMENT CONTAINS INFORMATION CONFIDENTIAL AND PROPRIETARY TO SAMTEC, INC. AND SHALL NOT BE REPRODUCED OR TRANSFERRED TO OTHER DOCUMENTS OR DISCLOSED TO OTHERS OR USED FOR ANY PURPOSE OTHER THAN THAT WHICH IT WAS OBTAINED WITHOUT THE EXPRESSED WRITTEN CONSENT OF SAMTEC, INC.



520 PARK EAST BLVD, NEW ALBANY, IN 47150
PHONE: 812-944-6733 FAX: 812-948-5047
e-Mail: info@SAMTEC.com code: 55322



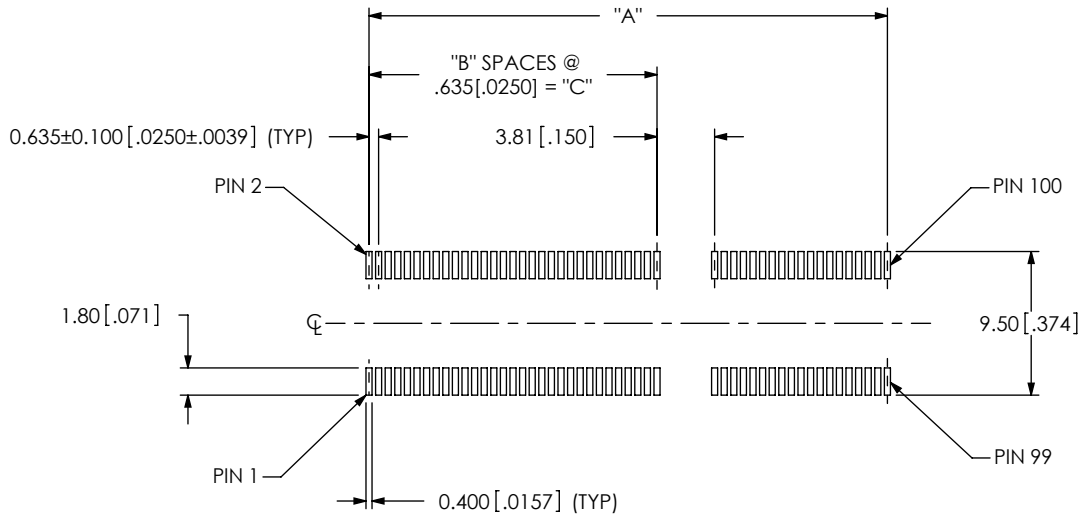
-40 POSITION SHOWN
(USE FOR 10, 20, 30 & 40 POSITIONS)

F
NOTE:
STENCIL TO BE 0.15 [.006] THICK.

**DESIGNED & DIMENSIONED
IN MILLIMETERS [INCHES]**

TABLE 4

POSITION	"A"
-10	5.72 [.225]
-20	12.07 [.475]
-30	18.42 [.725]
-40	24.77 [.975]



-50 POSITION SHOWN
(USE FOR 50, 60 & 70 POSITIONS)

F
NOTE:
STENCIL TO BE 0.15 [.006] THICK.

TABLE 3

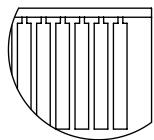
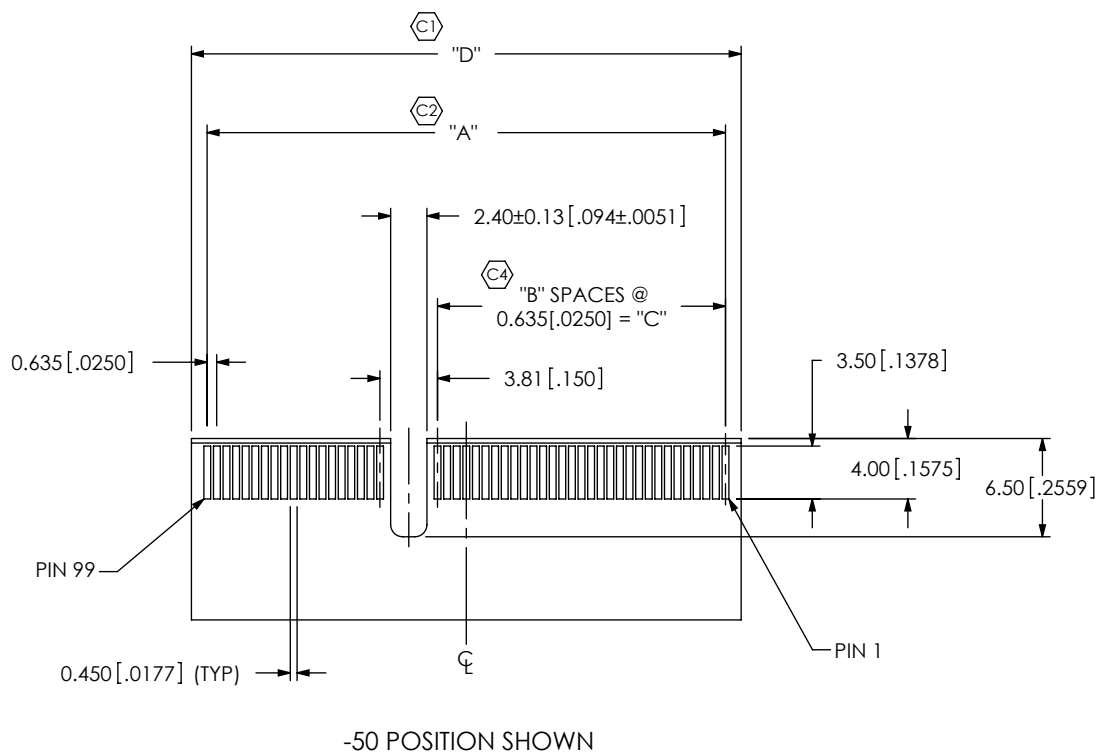
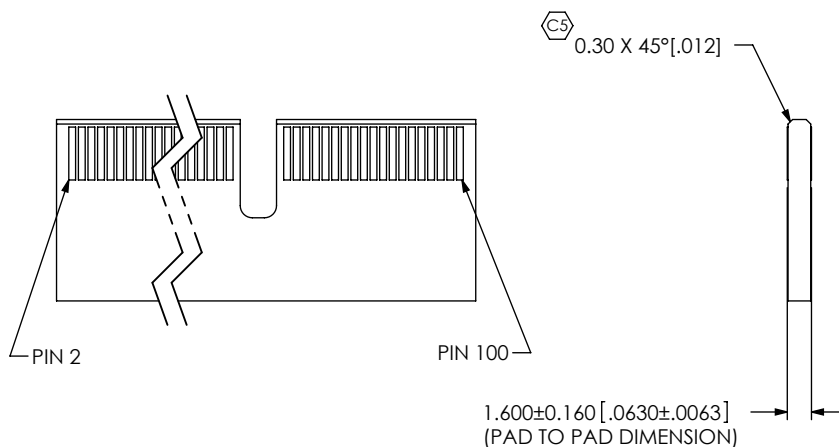
POSITION	"A"	"B"	"C"
-50	34.29 [1.350]	30	19.05 [.750]
-60	40.64 [1.600]	36	22.86 [.900]
-70	46.99 [1.850]	42	26.67 [1.050]

PROPRIETARY NOTE
THIS DOCUMENT CONTAINS INFORMATION
CONFIDENTIAL AND PROPRIETARY TO
SAMTEC, INC. AND SHALL NOT BE REPRODUCED
OR TRANSFERRED TO OTHER DOCUMENTS OR
DISCLOSED TO OTHERS OR USED FOR ANY
PURPOSE OTHER THAN THAT WHICH IT WAS
OBTAINED WITHOUT THE EXPRESSED WRITTEN
CONSENT OF SAMTEC, INC.

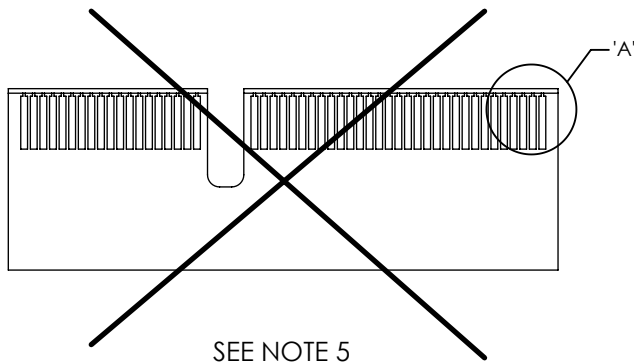
samtec
520 PARK EAST BLVD, NEW ALBANY, IN 47150
PHONE: 812-944-6733 FAX: 812-948-5047
e-Mail: info@SAMTEC.com code: 55322

DESIGNED & DIMENSIONED
IN MILLIMETERS [INCHES]

TABLE 5				
POSITION	"A"	"B"	"C"	"D" ± .076 [.003]
-10	5.715 [.2250]	N/A	N/A	7.788 [.307]
-20	12.065 [.4750]	N/A	N/A	14.138 [.557]
-30	18.415 [.7250]	N/A	N/A	20.488 [.807]
-40	24.765 [.9750]	N/A	N/A	26.838 [1.057]
-50	34.290 [1.3500]	30	19.050 [.7500]	36.363 [1.432]
-60	40.640 [1.6000]	36	22.860 [.9000]	42.70 [1.681]
-70	46.990 [1.8500]	42	26.670 [1.0500]	49.05 [1.931]



DETAIL 'A'
SCALE 4:1



F

NOTES:

1. Ⓢ REPRESENTS A CRITICAL DIMENSION.
2. -10, -20 AND -30 CARDS HAVE NO SLOT.
3. ALL DIMENSIONS ARE SYMMETRIC ABOUT THE CENTERLINE.
4. PLATING TO BE .000030 INCHES GOLD WITH A HARDNESS OF 120-200 KNOOPS.
5. FOR PROPER CONTACT REGISTRATION, PLATING BUS TIE TO BE THE WIDTH OF THE EDGE FINGER.

F

PROPRIETARY NOTE

THIS DOCUMENT CONTAINS INFORMATION CONFIDENTIAL AND PROPRIETARY TO SAMTEC, INC. AND SHALL NOT BE REPRODUCED OR TRANSFERRED TO OTHER DOCUMENTS OR DISCLOSED TO OTHERS OR USED FOR ANY PURPOSE OTHER THAN THAT WHICH IT WAS OBTAINED WITHOUT THE EXPRESSED WRITTEN CONSENT OF SAMTEC, INC.



520 PARK EAST BLVD., NEW ALBANY, IN 47150
PHONE: 812-944-6733 FAX: 812-948-5047
e-Mail: info@SAMTEC.com code: 55322