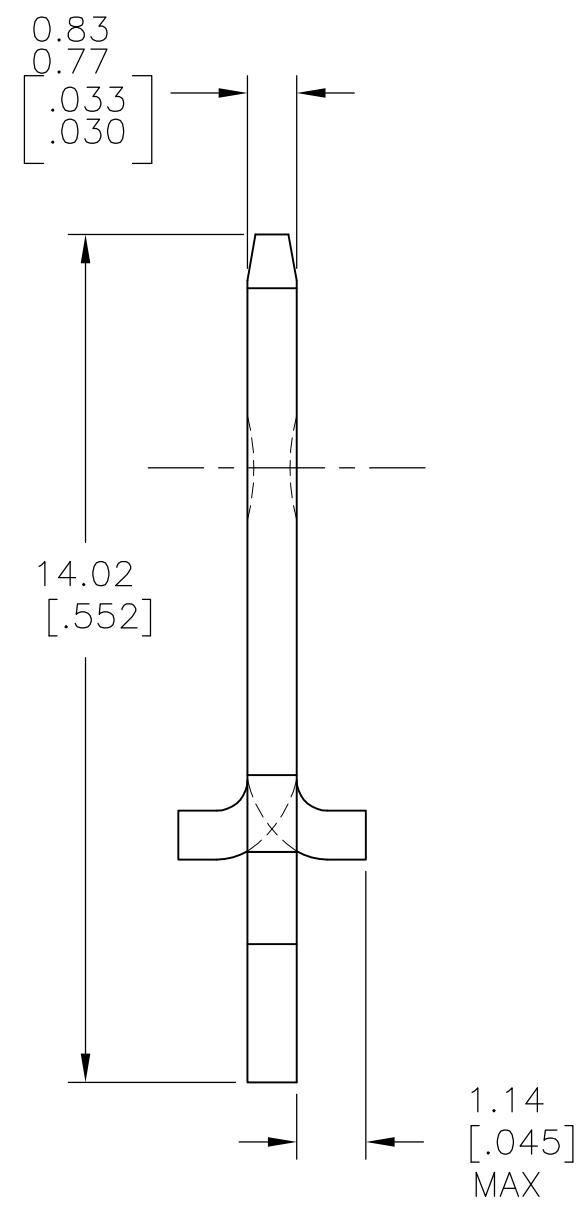
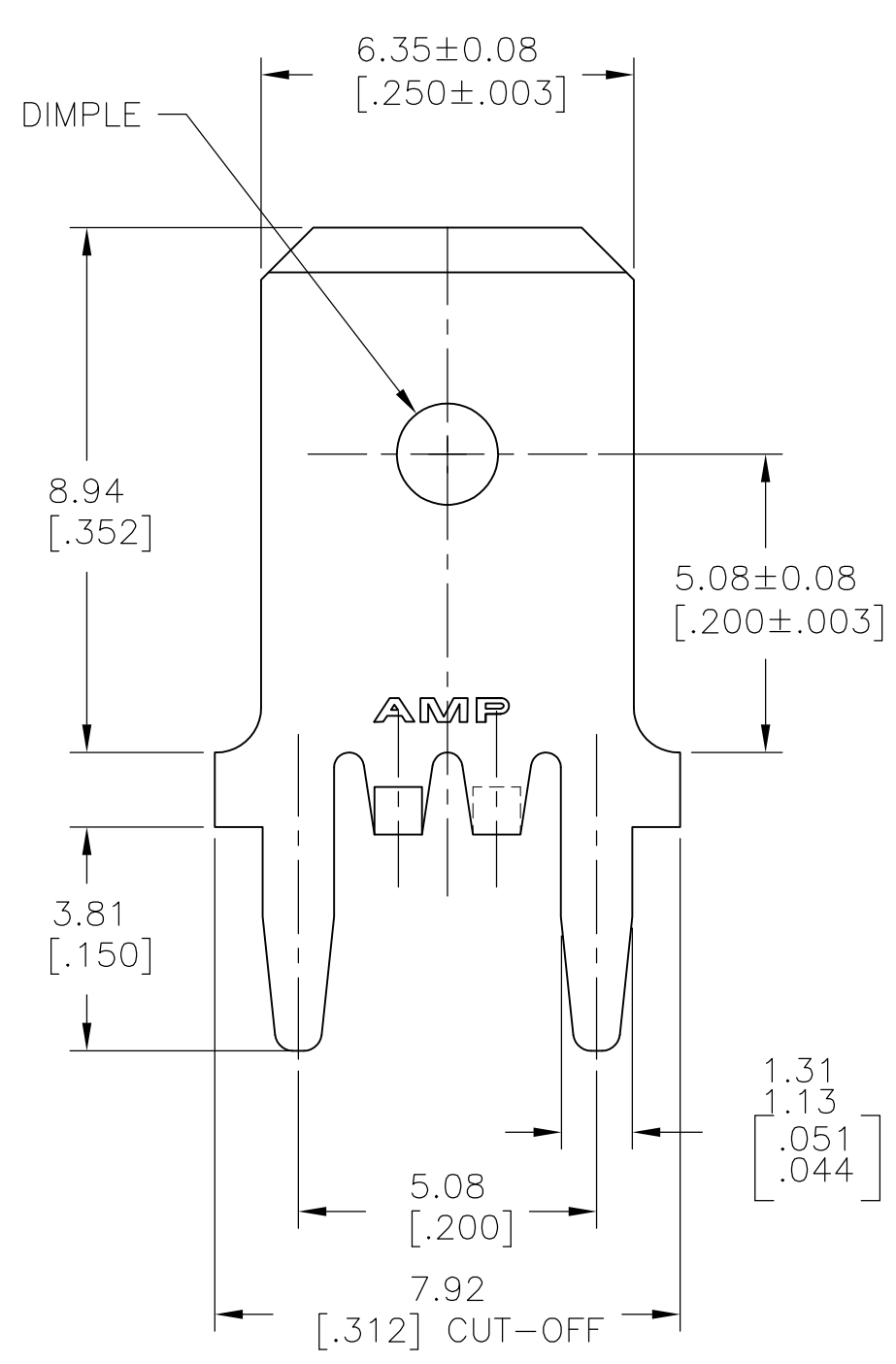
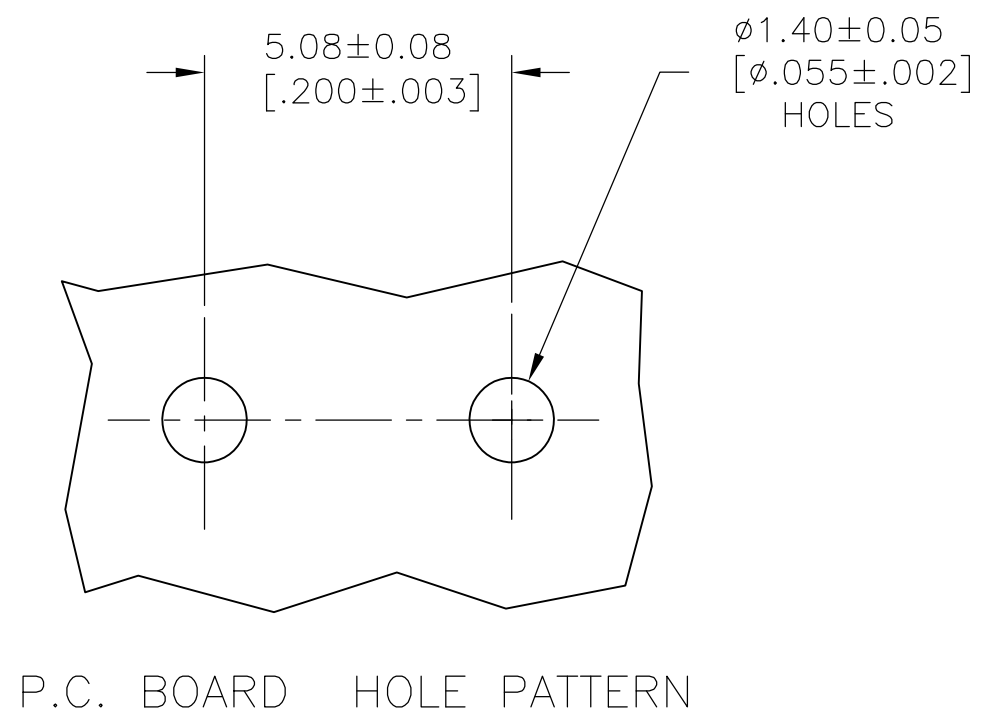


THIS DRAWING IS UNPUBLISHED. RELEASED FOR PUBLICATION
 © COPYRIGHT - By - ALL RIGHTS RESERVED.

LOC	DIST	REVISIONS			
P	LTR	DESCRIPTION	DATE	DWN	APVD
AF	50	B	REVISED PER ECR-13-001204	04JUL13	KH PD



- 1 SUPPLIED IN LOOSE PIECE.
- 2 TIN PLATE 0.00381 [.000150] MIN OVER 0.00254 [.000100] MIN THK COPPER.



1742686-1
PART NO.

THIS DRAWING IS A CONTROLLED DOCUMENT.		DWN JR RUTH 10MAR08	STE TE Connectivity		
DIMENSIONS: mm [INCHES]		CHK KURT RANDOLPH 10MAR08			
TOLERANCES UNLESS OTHERWISE SPECIFIED:		APVD KURT RANDOLPH 10MAR08	NAME TAB, FASTON, P.C.BOARD 6.35 [.250] LOOSE PIECE		
0 PLC ± -		PRODUCT SPEC	SIZE		
1 PLC ± -		APPLICATION SPEC	CAGE CODE		
2 PLC ± 0.25 [.010]		114-2115	DRAWING NO		
3 PLC ± -		WEIGHT	RESTRICTED TO		
4 PLC ± -		—	A3 00779 C-1742686		
ANGLES ± -		CUSTOMER DRAWING	SCALE 8:1 SHEET 1 OF 1 REV B		
FINISH		2			
MATERIAL BRASS					