



ANATECH ELECTRONICS INC
RF & Microwave Filters & Products

2096.7-2098.7 MHz / 2270.9-2280.9 MHz Cavity Duplexer

Part Number: AE2097-2275D481



Electrical Specifications

Rx Band: 2096.7-2098.7 MHz
Tx Band: 2270.9-2280.9 MHz
Insertion Loss: 1.5 dB Max
Return Loss: 16 dB Min
Ripple: 0.8 dB Max
Rejection: >80 dBc @ 2270.9-2280.9 MHz
>80 dBc @ 2096.7-2098.7 MHz
Isolation: ≥80 dB @ Rx and Tx Bands
Impedance: 50 Ω
Power: 10 Watts CW

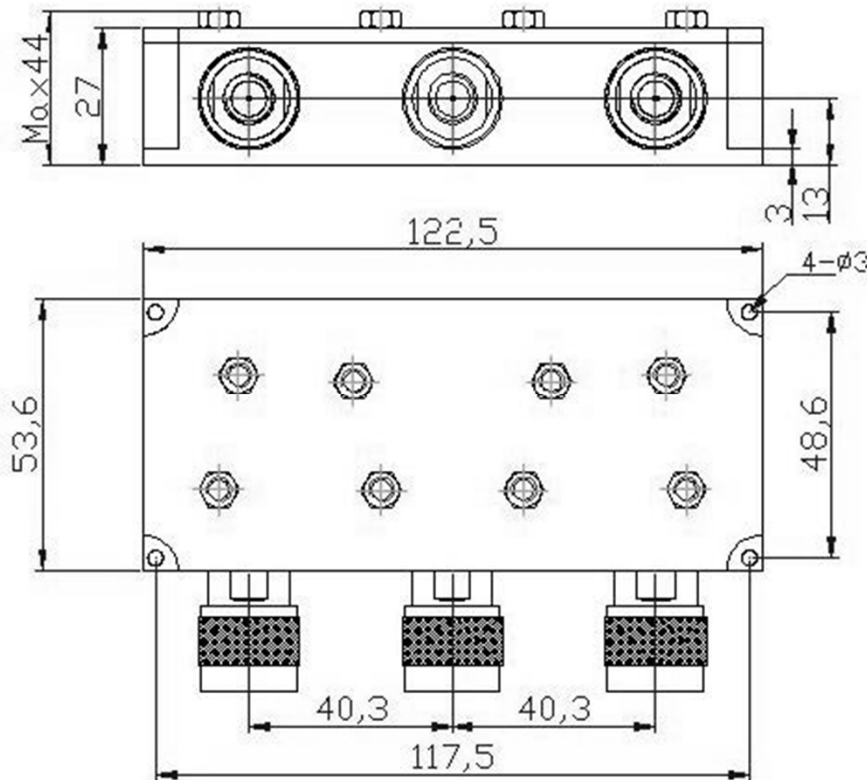
Mechanical

Connector Type: N-Type (M)
Dimensions: 122.5 x 53.6 x 44 mm

Environmental

Operating Temperature: -40 to +70° C
Storage Temperature: -55 to +85° C

Outline Drawing:



Note: Unit: mm, Unless otherwise specified, .Outline drawing +/-0.2mm; Hole +/-0.1mm