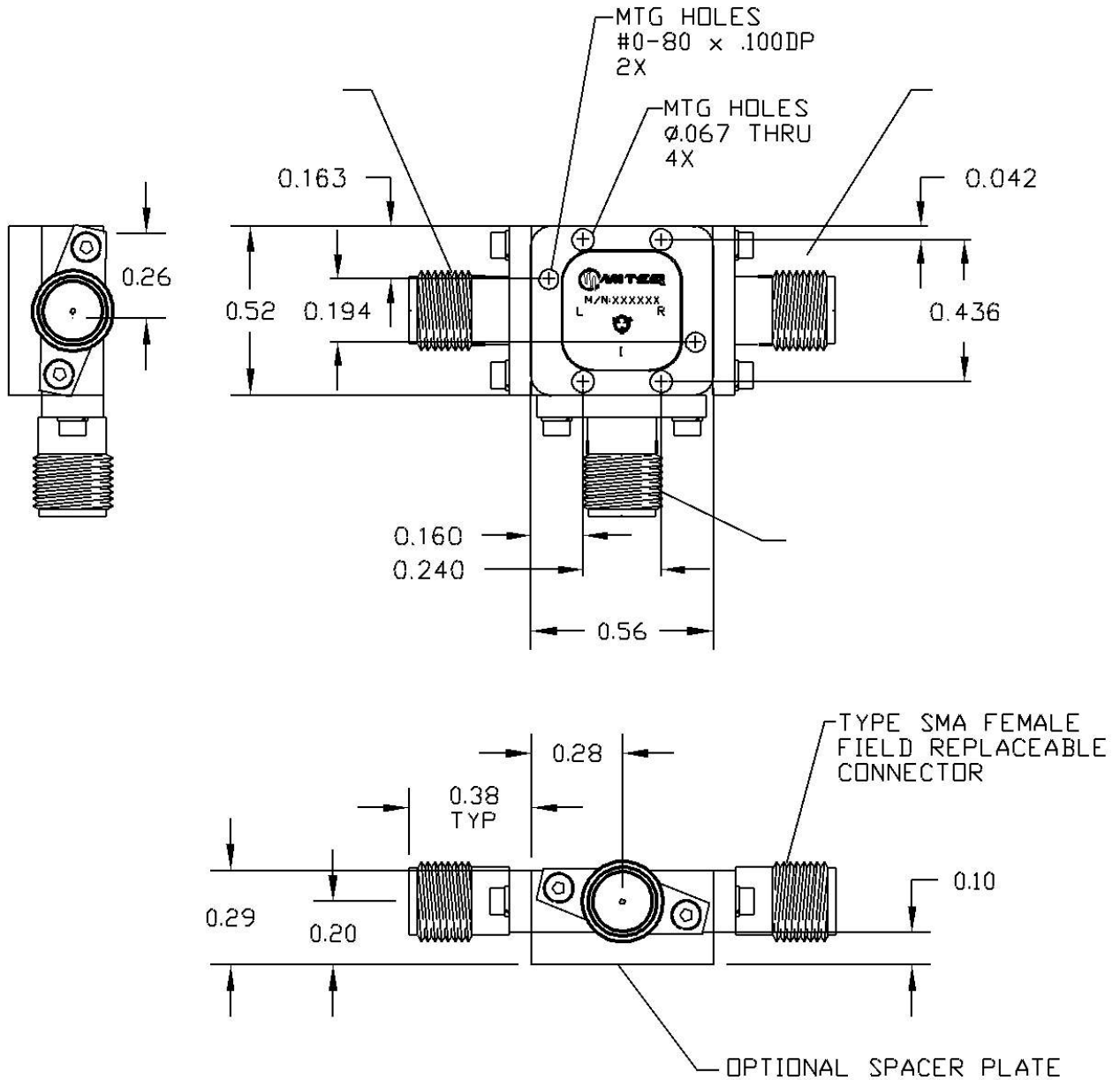


DASH NO.	APPLICATION		REVISIONS			
	NEXT ASSY	USED ON	LTR	DESCRIPTION	DATE	APPROVED
			C	ASQL-Format, REDRAWN Add missing drawings	4/7/2006	L. Cardinal
			C	ADD MISSING MTG HOLE IMAGE & INFO		



FINISH: NICKEL per MIL-C-26074

ALL PAGES ARE OF ORIGINAL ISSUE (A) EXCEPT AS NOTED.	CONTR. NO. MQ0146748	 100 Davids Drive, Hauppauge, New York 11788
	PREP BY NAME <i>AL</i>	
UNLESS OTHERWISE SPECIFIED DIMENSIONS ARE IN INCHES (MM) TOLERANCES ON DECIMAL ANGLES XX±.01 XXX±.005 ±0°30'	CHKD BY <i>L. Cardinal</i>	DATE 4/6/2006
	PROJ ENGR <i>S. Spohrer</i>	DATE 4/7/2006
	APPROVAL (PROJ)	
APPROVAL (GOVT)		SIZE A CODE IDENT. NO. 33592 118190