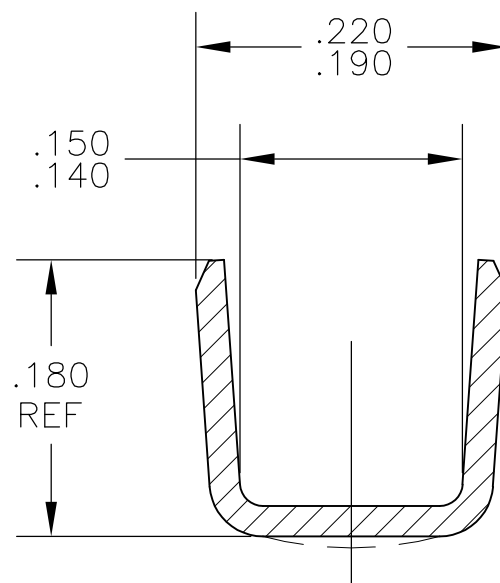
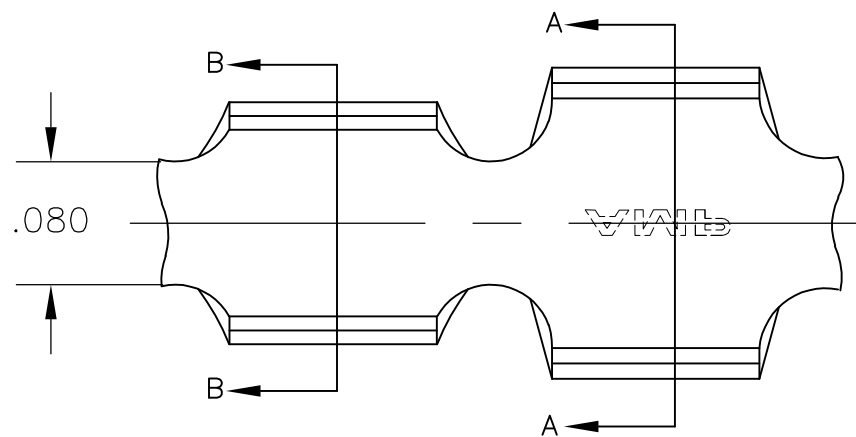


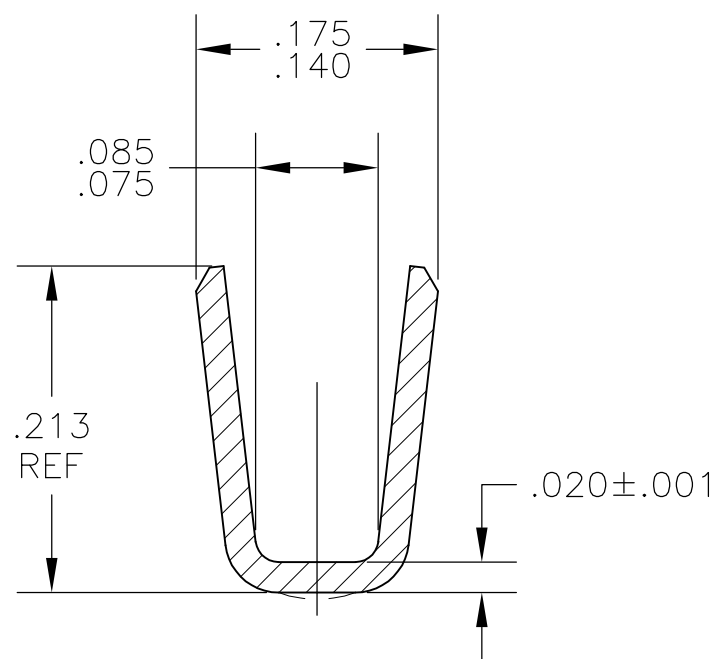
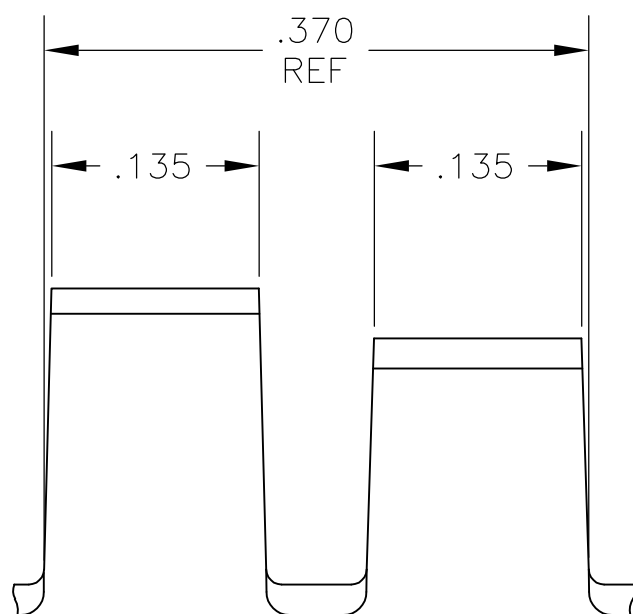
THIS DRAWING IS UNPUBLISHED. RELEASED FOR PUBLICATION  
 © COPYRIGHT - BY TYCO ELECTRONICS CORPORATION. ALL RIGHTS RESERVED.

LOC	DIST	REVISIONS					
AF	50	P	LTR	DESCRIPTION	DATE	DWN	APVD
			F1	ECR-07-018635(REDRAWN IN AUTOCAD)	03JUL07	HMR	GP



SECTION A-A

- 1 CONTINUOUS STRIP ON REELS
- 2 WIRE RANGE: 3200 TO 8200 CMA
- 3 INSULATION RANGE: .120 - .160 DIA.



SECTION B-B

	STEEL	NICKEL	42627-4
OBSOLETE	BRASS	GOLD	42627-3
OBSOLETE	BRASS	SILVER	42627-2
OBSOLETE	BRASS	TIN	42627-1
	MATERIAL	FINISH	PART NO

THIS DRAWING IS A CONTROLLED DOCUMENT.		DWN RAGHAVENDRA 03JUL07	Tyco Electronics Corporation Harrisburg, PA 17105-3608		
DIMENSIONS: INCHES		CHK G.D.PORTA 03JUL07			
		APVD G.D.PORTA 03JUL07	SPECIAL SPLICE		
TOLERANCES UNLESS OTHERWISE SPECIFIED:		PRODUCT SPEC	RESTRICTED TO		
0 PLC ± - 1 PLC ± - 2 PLC ± - 3 PLC ± .010 4 PLC ± - ANGLES ± -		APPLICATION SPEC	SIZE	CAGE CODE	DRAWING NO
MATERIAL SEE TABLE	FINISH SEE TABLE	WEIGHT -	A3	00779	C-42627
CUSTOMER DRAWING			SCALE 8:1	SHEET 1 OF 1	REV F1