



## Main

|                           |                             |
|---------------------------|-----------------------------|
| Range of Product          | OsiSense XM                 |
| Product or Component Type | Electronic pressure sensors |
| Device short name         | ZMLP                        |

## Complementary

|  |   |
|--|---|
| Display Range  | -14.5...6000  |
| [Us] rated supply voltage                              | 24 V DC SELV 17...33 V)   |
| Current Consumption                                    | <= 50 mA  |
| Electrical connection                                  | Female connector M12, 2 pins<br>Male connector M12, 4 pins                                    |
| Type of output signal                                  | Discrete  |
| Discrete output type                                   | Solid state PNP, 2 NO/NC programmable   |
| Switching function                                     | Hysteresis  |
| Maximum switching current                              | 200 mA  |
| Maximum voltage drop                                   | 2 V   |
| Adjustable range of switching point on rising pressure | 5...98 % of selected display range  |
| Minimum differential travel                            | 10 % of selected display range  |
| Marking  | CE  |
| Front material   | Polyester   |
| Housing material                                       | PBT Valox   |
| Operating position                                     | Any position  |
| Protection Type  | Short-circuit protection<br>Overload protection<br>Reverse polarity<br>Overvoltage protection |
| Response time on output                                | <= 3 ms discrete output   |
| Display Type   | 4 digits 7 segments   |
| Local signalling                                       | For light ON when switch is actuated 2 LEDs (yellow)  |
| Response Time  | 300 ms  |
| Maximum delay first up                                 | 100 ms  |
| Accuracy   | <= - 0.1 % of the measuring range   |
| Measurement accuracy                                   | <= 1 % of the measuring range   |
| Display Accuracy                                       | <= 1 % of the measuring range   |
| Mechanical durability                                  | 10000000 cycles   |
| Depth  | 1.65 in (42 mm)   |
| Height   | 3.03 in (77 mm)   |
| Width  | 1.61 in (41 mm)   |

|  |                        |
|--|------------------------|
| Net Weight                             | 0.23 lb(US) (0.103 kg) |
| [Uimp] rated impulse withstand voltage | 0.5 kV DC              |

## Environment

|                                       |  |
|---------------------------------------|--|
| Product Certifications                | EAC<br>cULus   |
| Standards                             | EN/IEC 61000-6-2<br>EN/IEC 61000-6-4<br>UL 508   |
| Ambient Air Temperature for Operation | -13...158 °F (-25...70 °C)   |
| Ambient Air Temperature for Storage   | -22...176 °F (-30...80 °C)   |
| IP degree of protection               | IP67 conforming to EN/IEC 60529<br>IP65 conforming to EN/IEC 60529<br>IP69K conforming to DIN 40050  |
| Vibration resistance                  | 5 gn 10...2000 Hz)EN/IEC 60068-2-6   |
| Shock resistance                      | 25 gn EN/IEC 60068-2-27  |
| Electromagnetic compatibility         | Immunity to conducted RF disturbances 10 V 0.15...80 MHz EN/IEC 61000-4-6<br>Surge immunity test 1 kV EN/IEC 61000-4-5<br>Electrical fast transient/burst immunity test 2 kV EN/IEC 61000-4-4<br>Susceptibility to electromagnetic fields 10 V/m 80...2000 MHz EN/IEC 61000-4-3<br>Electrostatic discharge immunity test 8 kV air, 4 kV contact EN/IEC 61000-4-2 |

## Ordering and shipping details

|                       |                                    |
|-----------------------|------------------------------------|
| Category              | 22661-XMLA,B,C,D PRESSURE SWITCHES |
| Discount Schedule     | DS2                                |
| GTIN                  | 3389119617963                      |
| Nbr. of units in pkg. | 1                                  |
| Package weight(Lbs)   | 3.70 oz (105.0 g)                  |
| Returnability         | No                                 |
| Country of origin     | FR                                 |

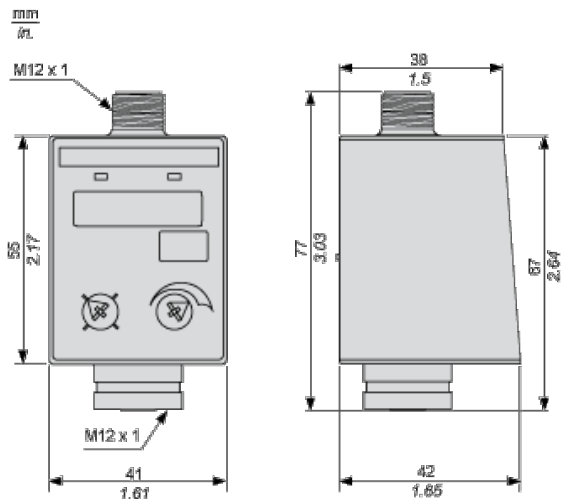
## Packing Units

|                              |                        |
|------------------------------|------------------------|
| Unit Type of Package 1       | PCE                    |
| Package 1 Height             | 1.69 in (4.3 cm)       |
| Package 1 width              | 1.85 in (4.7 cm)       |
| Package 1 Length             | 3.43 in (8.7 cm)       |
| Unit Type of Package 2       | S01                    |
| Number of Units in Package 2 | 24                     |
| Package 2 Weight             | 5.97 lb(US) (2.709 kg) |
| Package 2 Height             | 5.91 in (15 cm)        |
| Package 2 width              | 5.91 in (15 cm)        |
| Package 2 Length             | 15.75 in (40 cm)       |

## Offer Sustainability

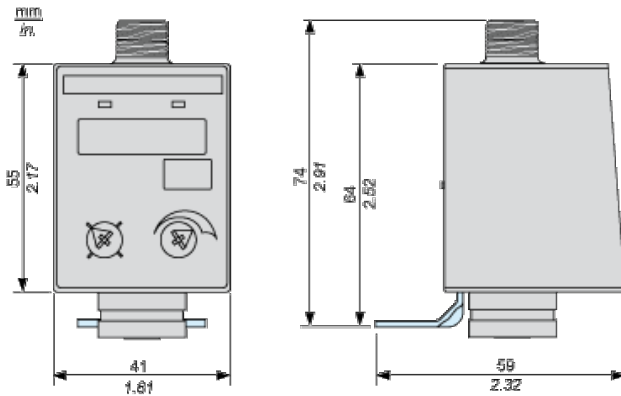
|                            |   |
|----------------------------|---|
| Sustainable offer status   | Green Premium product   |
| California proposition 65  | WARNING: This product can expose you to chemicals including: Diisononyl phthalate (DINP), which is known to the State of California to cause cancer, and Di-isodecyl phthalate (DIDP), which is known to the State of California to cause birth defects or other reproductive harm. For more information go to <a href="http://www.P65Warnings.ca.gov">www.P65Warnings.ca.gov</a> |
| REACH Regulation           | <a href="#">REACH Declaration</a>   |
| EU RoHS Directive          | Pro-active compliance (Product out of EU RoHS legal scope) <a href="#">EU RoHS Declaration</a>  |
| Mercury free               | Yes   |
| RoHS exemption information | <a href="#">Yes</a>   |
| Environmental Disclosure   | <a href="#">Product Environmental Profile</a>   |
| Circularity Profile        | <a href="#">End Of Life Information</a>   |

Dimensions



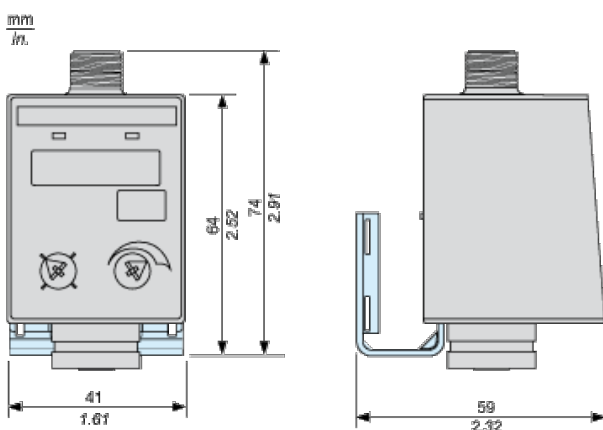
Dimensions

Switch with Metal Bracket for Fixing Horizontally



Dimensions

Switch with Metal Bracket for Fixing Vertically or on an Inlet Pipe

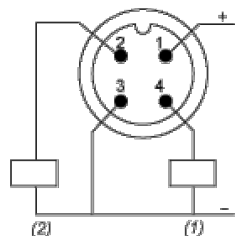


---

## Connections and Schema

---

### Output M12 Male Connector Wiring



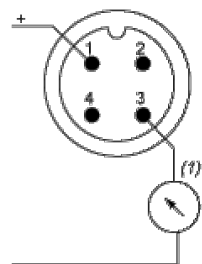
- (1) Out 1
- (2) Out 2

---

## Connections and Schema

---

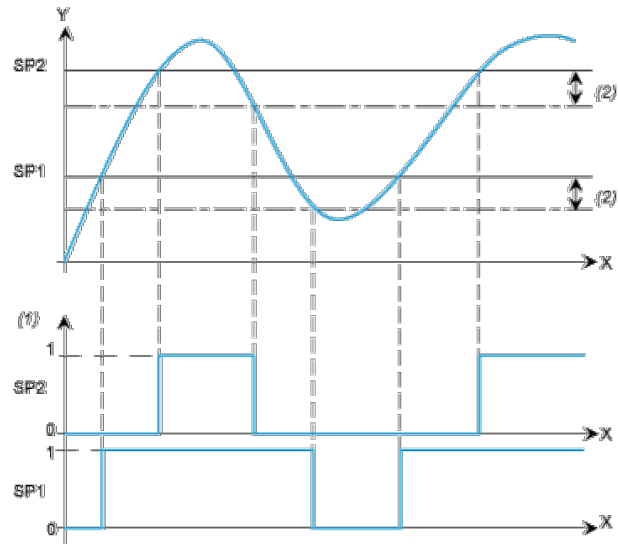
### Input M12 Female Connector Wiring



- (1)  $I_{in} = 4-20 \text{ mA}$

Two Switching Outputs Description. Hysteresis Mode

The hysteresis switching mode is typically used for the pumping applications



- X : Time
- Y : Pressure
- (1) Output
- (2) Fixed hysteresis = 10% of the selected display range
- SP1/ Set points (adjustable from 11% to 98% nominal pressure)
- SP2 :