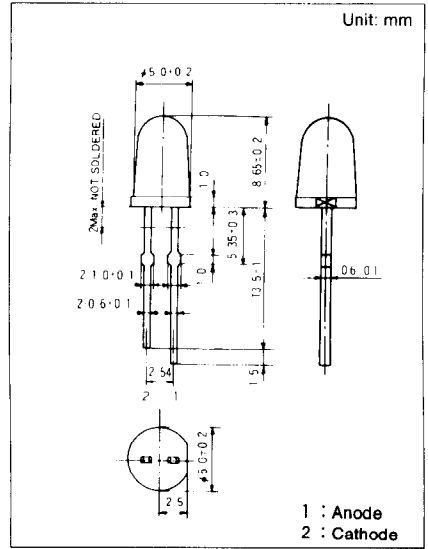


丸形 Round Type  
 $\phi$  5.0mm Series

Type No. Lighting Color  
 LN21CAL(US).....Red



絶対最大定格 Absolute Maximum Ratings (Ta=25 °C)

Lighting Color	P <sub>D</sub> (mW)	I <sub>F</sub> (mA)	I <sub>FP</sub> (mA)*	V <sub>R</sub> (V)	T <sub>opr</sub> (°C)	T <sub>stg</sub> (°C)
Red	70	30	150	3	-25--+85	-30--+100

\* I<sub>FP</sub>の条件は、duty 10%、Pulse width 1 msec. The condition of I<sub>FP</sub> is duty 10%, Pulse width 1 msec

電気的光学的特性 Electro-Optical Characteristics (Ta=25 °C)

Type No.	Lighting Color	Lens Color	I <sub>o</sub>			V <sub>F</sub>		$\lambda_p$	$\Delta \lambda$	I <sub>F</sub>	I <sub>R</sub>	
			Typ.	Min.	I <sub>F</sub>	Typ.	Max.				Max.	V <sub>R</sub>
LN21CAL(US)	Red	Clear	500	300	20	1.8	2.6	665	20	20	100	3
Unit			mcd	mcd	mA	V	V	nm	nm	mA	$\mu$ A	V

