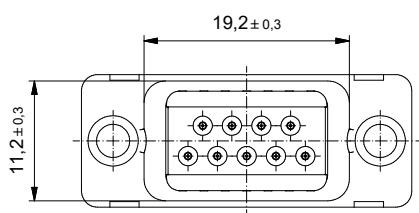
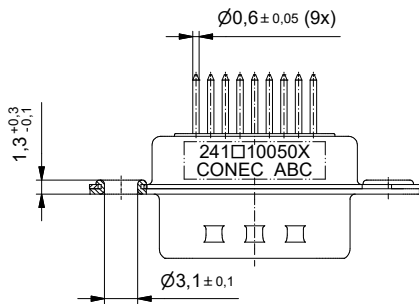
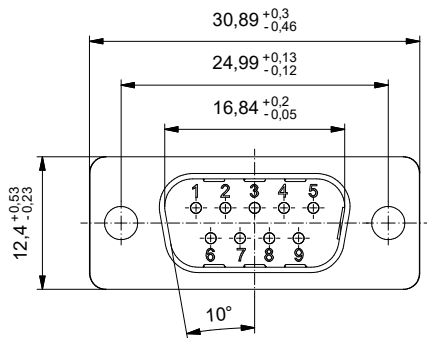
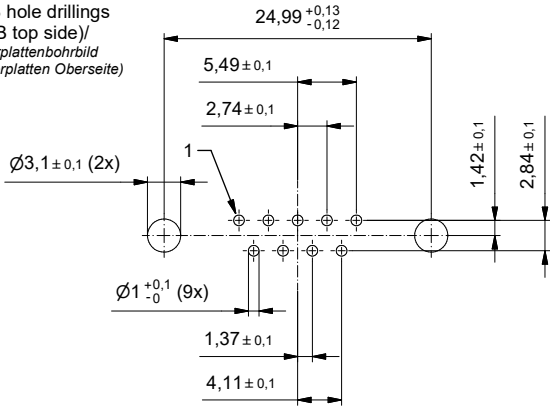


PCB hole drillings
(PCB top side)
Leiterplattenbohrbild
(Leiterplatten Oberseite)



**Technical specification/
Technische Daten:**

Working voltage/ Betriebsspannung:	100 VDC
Current rating/ Strombelastbarkeit:	7,5 A (UL) / 5 A (CSA,VDE)
Insulation resistance/ Isolationswiderstand:	$\geq 1 \text{ G}\Omega$
Dielectric withstanding voltage/ Spannungsfestigkeit (DWV):	424 VDC
Temperature working range/ Umgebungstemperatur:	- 25 °C ... + 105 °C
Capacitance value/ Kapazitätswert:	1300 pF \pm 20 %
Mating cycles/ Steckzyklen:	Quality class 1 = 500 Gütestufe 1 Quality class 2 = 200 Gütestufe 2 Quality class 3 = 50 Gütestufe 3

**Materials/
Werkstoffe:**

Contact/ Kontakt:	Cu alloy, Au over Ni Contact tails pretinned/ Kontaktspitzen verzinkt
Insulator/ Isolierkörper:	High temp. PA UL94 V-0
Shell/ Gehäuse:	Steel, Sn over Ni

**Installation specification/
Montagedaten:**

Solder parameter/ Lötparameter:	
Solder preheat temperature/ Vorheiztemperatur:	100 °C for 30 sec./ 100 °C für 30 sek.
Solder bath temperature/ Lötbadtemperatur:	260 °C for 5 sec./ 260 °C für 5 sek.

Part no. / Part marked/ Art.-Nr. / Bedruckung:	Quality class/ Gütestufe:	Contact plating/ Kontakt Veredelung:
241A10050X	3	Gold flash over nickel Gold über Nickel
241B10050X	2	20 µin hard gold over min. 50 µin nickel 20 µin Gold über min. 50 µin Nickel
241C10050X	1	30 µin hard gold over min. 50 µin nickel 30 µin Gold über min. 50 µin Nickel

Index: a Original	scale/maßstab: 2:1		dwg no / Z.-nr.: 24K1A1966	DIN-A3
RoHS compliant/ konform		dim. in mm D-SUB C-Filter Male 9pos. D-SUB C-Filter Stiftleiste 9pol.	1 / 1	

This reproduction, distribution and utilization of this document as well as the communication of its contents to others without express authorization is prohibited. Offenders will be held liable for the payment of damages. For further information on our products and services, please refer to our website: www.conec.com.