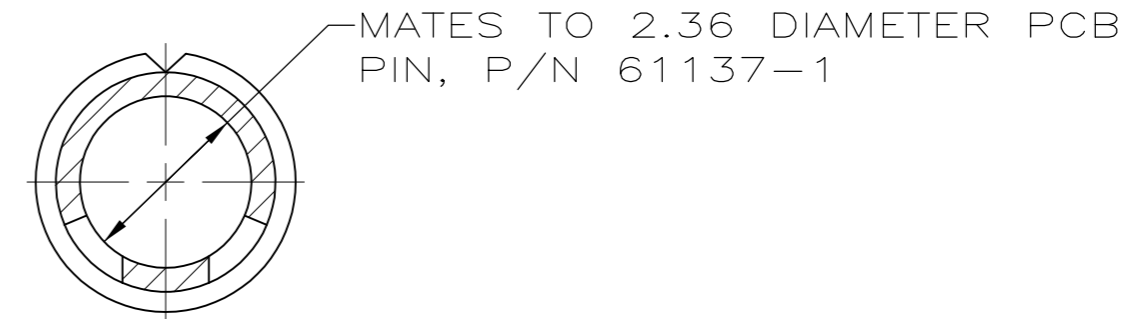
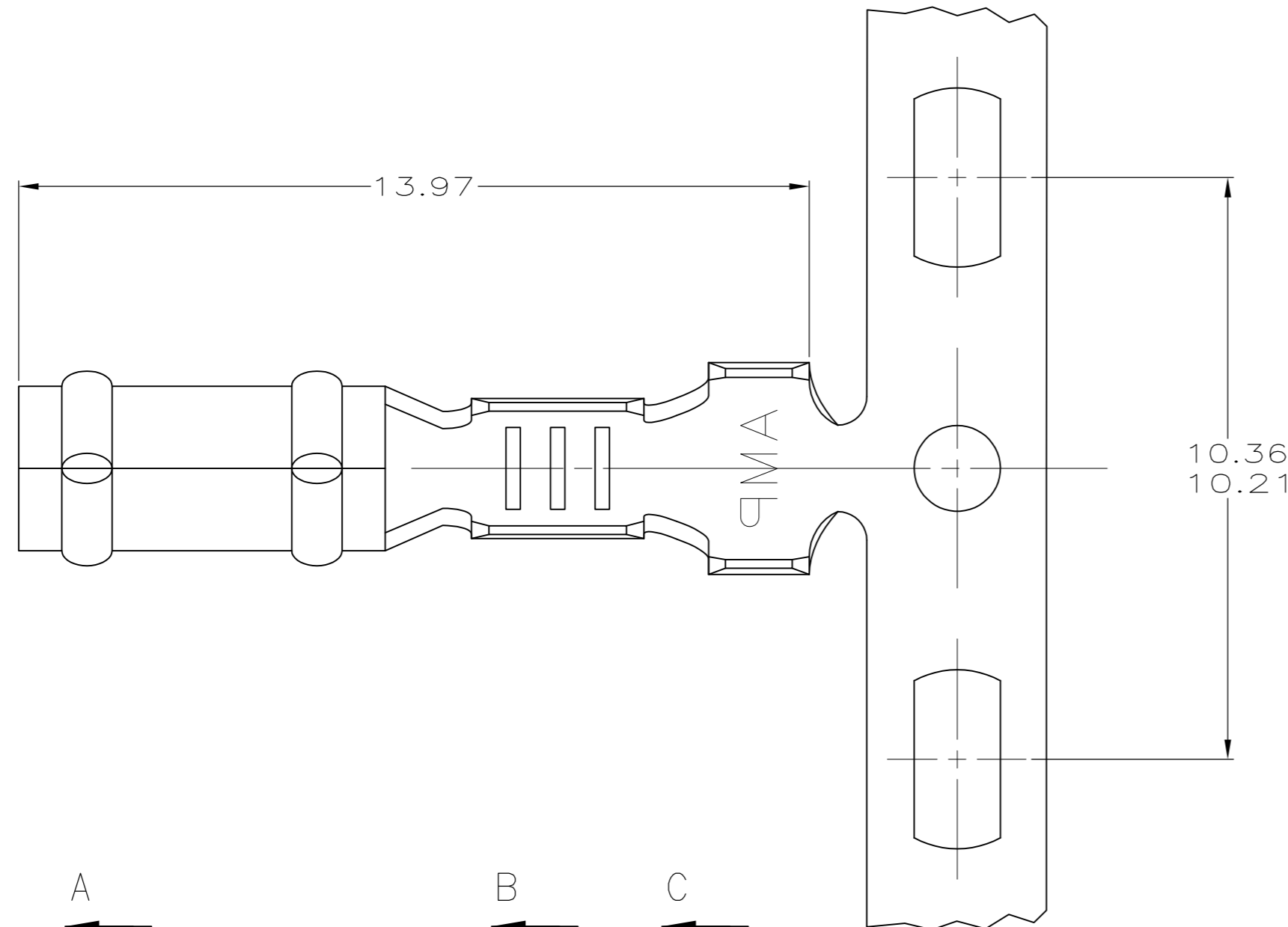


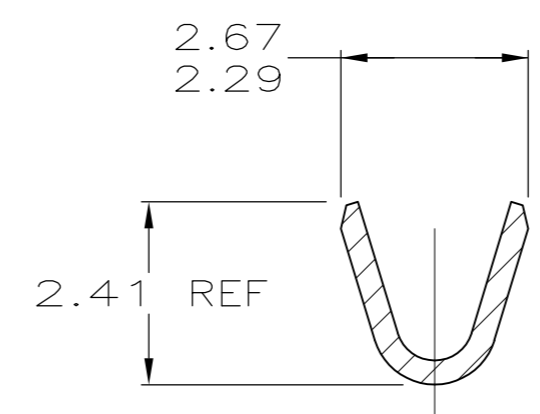
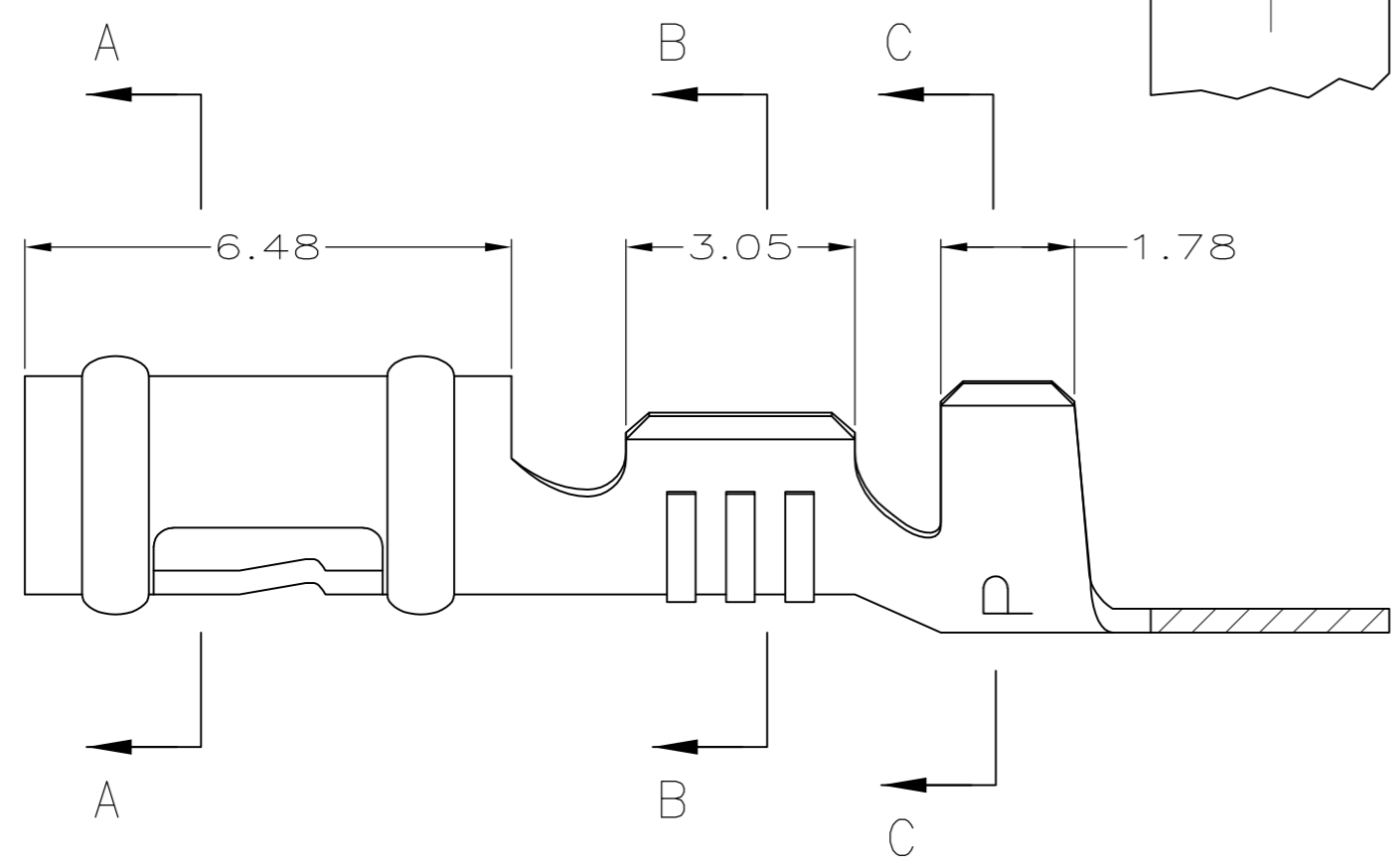
THIS DRAWING IS UNPUBLISHED. RELEASED FOR PUBLICATION  
 © COPYRIGHT - By - ALL RIGHTS RESERVED.

LOC	DIST	REVISIONS			
P	LTR	DESCRIPTION	DATE	DWN	APVD
CM	52	L2	REVISED PER ECO-11-004917	11MAR11	RK HMR

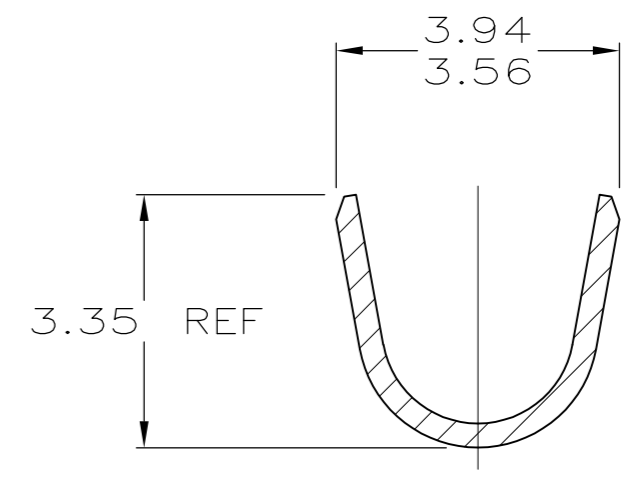
1. WIRE RANGE: 0.3 - 0.9 MM<sup>2</sup> (22 - 18 AWG)
2. INSULATION RANGE: 1.52 - 2.79
- ⚠ REVERSE REEL OF PART NUMBER 61291-5.



SECTION A-A



SECTION B-B



SECTION C-C

⚠ 61291-5  
 61291-1  
 PART NUMBER

MM	IN	MM	IN	MM	IN	MM	IN
2.29	.090	3.05	.120	10.21	.402	-	-
1.78	.070	2.79	.110	6.48	.255	-	-
1.52	.060	2.67	.105	3.94	.155	-	-
0.32	.013	2.41	.095	3.56	.140	13.97	.550
0.13	.005	2.36	.093	3.35	.132	10.36	.408
MM	IN	MM	IN	MM	IN	MM	IN

CONVERSION TABLE

**METRIC**

THIS DRAWING IS A CONTROLLED DOCUMENT.		DWN	T. BECK	6-16-97	 TE Connectivity
DIMENSIONS: mm		CHK	R. SWING	6-16-97	
TOLERANCES UNLESS OTHERWISE SPECIFIED:		APVD	A. BEDDICK	8-22-97	
0 PLC ± - 1 PLC ± - 2 PLC ± 0.13 3 PLC ± - 4 PLC ± - ANGLES ± -		PRODUCT SPEC	108-1025		
MATERIAL: 0.32 PH BRZ		FINISH	PRE TIN	114-1008	APPLICATION SPEC
		WEIGHT	-	114-1008	SIZE
		CUSTOMER DRAWING		SCALE	10:1
		SHEET		1 of 1	REV
		L2			