

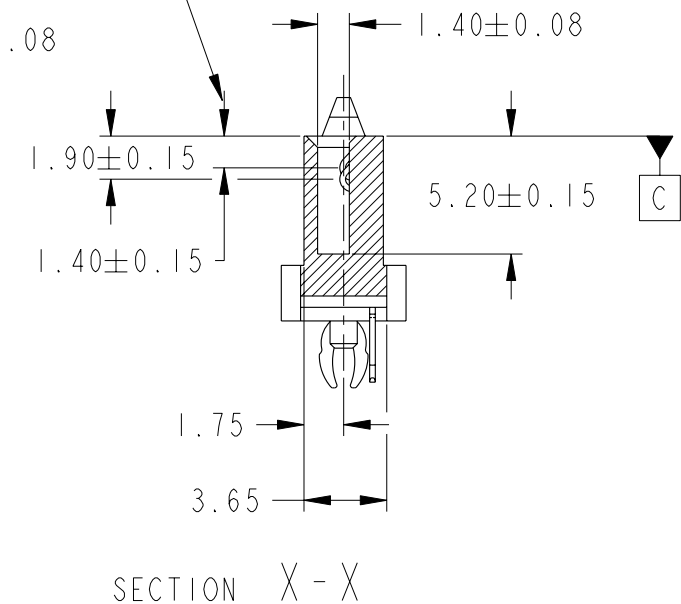
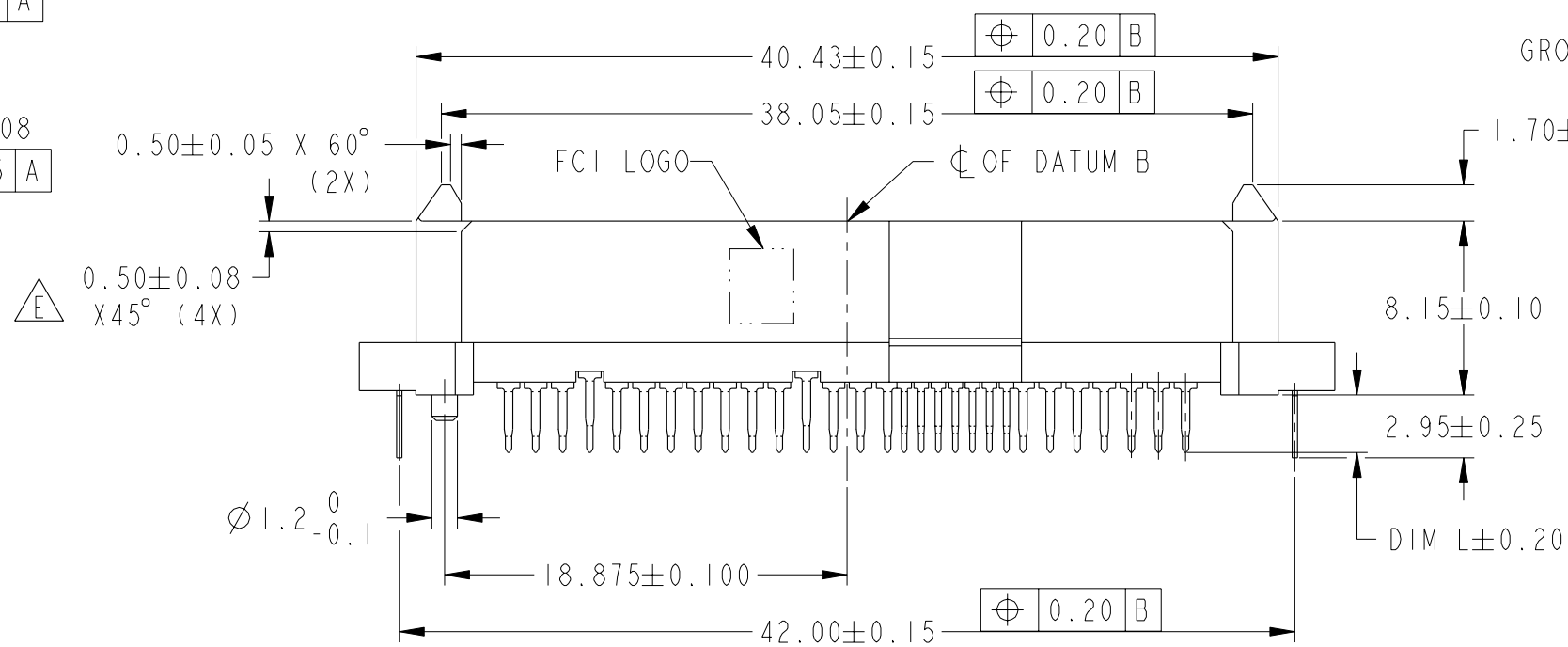
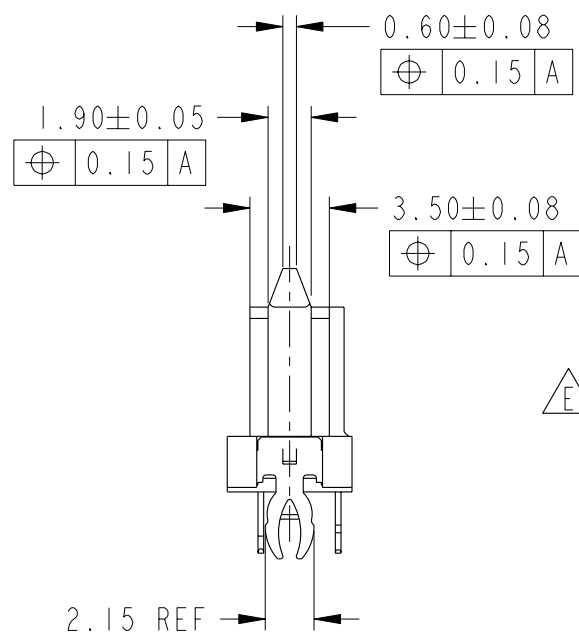
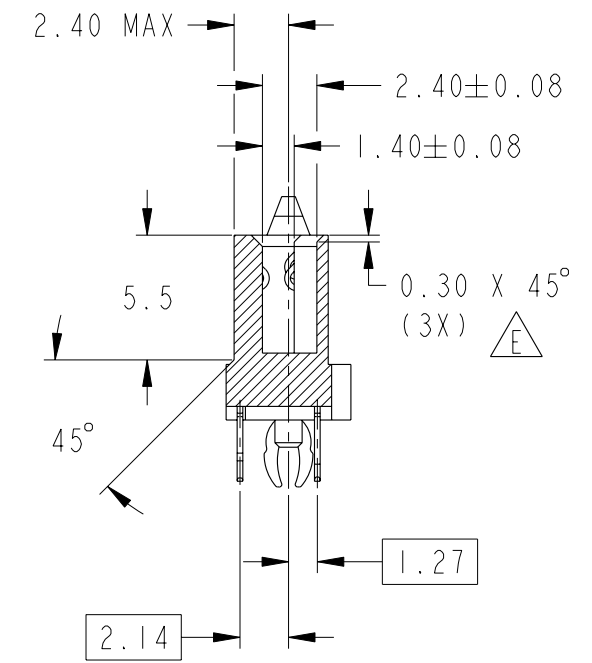
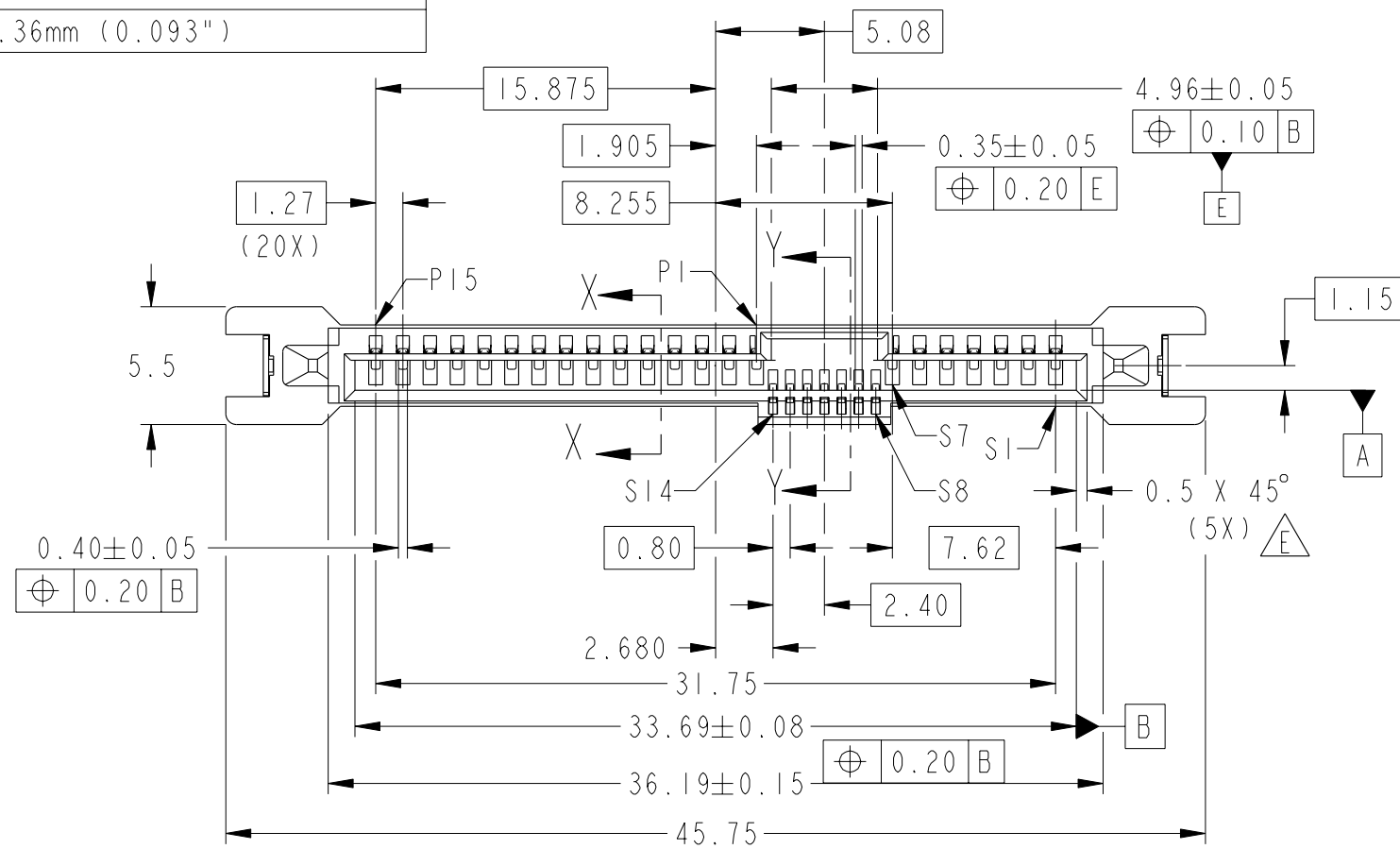
PRODUCT NO	DIM L	RECOMMENDED P.C. BOARD THICKNESS
10018182-00ILF	2.70	1.57mm (0.062") / 2.36mm (0.093")
10018182-01ILF	3.70	2.36mm (0.093")

A

B

C

D



spec ref	-	dr	GL LOO	2004-02-27	projection	MM	size	A3	scale	3:1
tolerance std	ISO 406 ISO 1101	eng	GL LOO	2004-02-27			ecn no	S10-0228	rel level	-
TOLERANCES UNLESS OTHERWISE SPECIFIED		chr	GL LOO	2010-10-28						
surface	ISO 1302	appr	JOEY NG	2010-10-28			dwg no	10018182	rev	E
	linear	0.X	±				Product - Customer Drw		sheet 1 of 2	
		0.XX	±0.20				PDS: Rev :E		STATUS:Released	
		0.XXX	±				Printed: Nov 01, 2011			
	angular	0°	±2°							

A

B

C

D



Copyright FCI.



www.fci.com

SAS RECEPTACLE  
VERTICAL TH TYPE ASSY

cat. no.

Product - Customer Drw

sheet 1 of 2

1

2

3

4

A

B

C

D


A

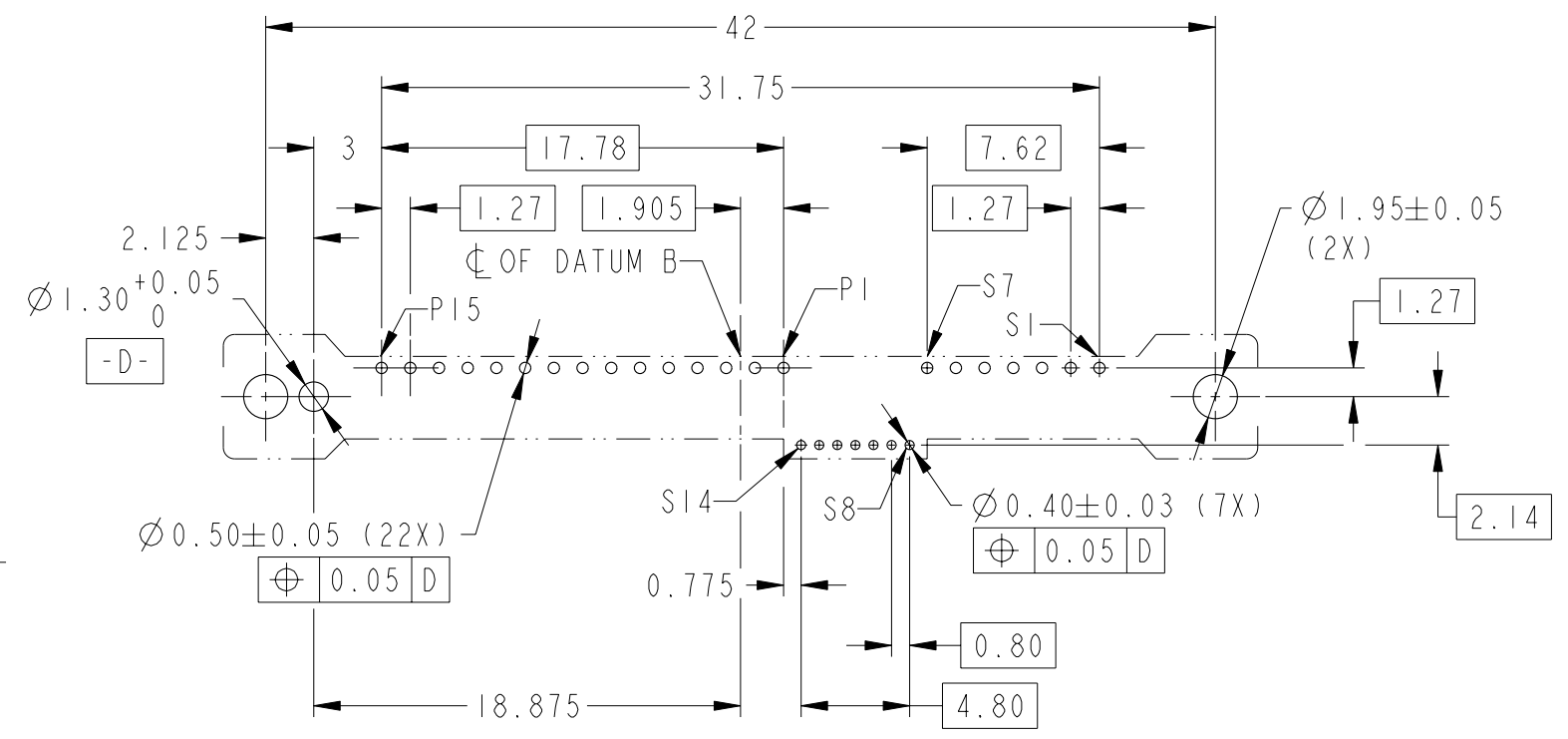
B

C

D

### NOTES:

- 1. MATERIAL :
  - 1) HOUSING : HIGH TEMP THERMOPLASTIC, UL 94V-0
  - COLOR : BLACK
  - 2) TERMINAL : COPPER ALLOY
  - 3) HOLD DOWN : COPPER ALLOY
- 2. FINISH :
  - 1) TERMINAL : 30μ" Au PLATING (CONTACT POINT) OVER 50μ" NICKEL
  - 2) SOLDER TAIL : 50μ" MIN Sn OVER 50μ" NICKEL
  - 3) HOLD DOWN : 50μ" MIN Sn OVER 50μ" NICKEL
- 3. PER SFF REV 1.1 EXCEPT 0.8mm PITCH BUMP AREA.
- 4. THE STD PACKAGING IS IN TRAY.
- 5. THE HOUSING WILL WITHSTAND EXPOSURE TO 260°C PEAK TEMPERATURE FOR 10 SECONDS IN A WAVE SOLDER APPLICATION WITH A 1.57mm MINIMUM THICK CIRCUIT BOARD.
- 6. THIS PRODUCT MEETS EUROPEAN UNION DIRECTIVES AND OTHER COUNTRY REGULATIONS AS DESCRIBED IN GS-22-008.
- 7. PART NUMBERS ENDING IN "LF" MEANS FOR NOTE 6 LEAD FREE IDENTIFICATION. ~~P/N XXXXXXXX-XXXLF IS EQUIVALENT TO PREVIOUS P/N XXXXXXXX-XXX.~~
- 8. A  SYMBOL WILL BE NEXT TO ANY DIMENSION, VIEW, OR NOTE WHICH HAS BEEN MODIFIED WITH THE CURRENT DRAWING REVISION.



### RECOMMENDED P.C.B LAYOUT



Copyright FCI.

spec ref	-	dr	GL LOO	2004-02-27	projection	MM	size	A3	scale	3:1
tolerance std	ISO 406 ISO 1101	eng	GL LOO	2004-02-27		←→	ecn no	S10-0228		
TOLERANCES UNLESS OTHERWISE SPECIFIED		chr	GL LOO	2010-10-15			product family	-	rel level	-
surface	ISO 1302	appr	JOEY NG	2010-10-15	SAS RECEPTACLE VERTICAL TH TYPE ASSY			dwg no	10018182	
linear	0.X ± - 0.XX ±0.20 0.XXX ± -	www.fci.com			cat. no.	-	Product - Customer Drw	rev	E	
angular	0° ±2°				Product - Customer Drw			sheet 2 of 2		