

MATERIALS AND FINISHES:

BODY, JAM NUT: BRASS
FINISH: SEE TABLE

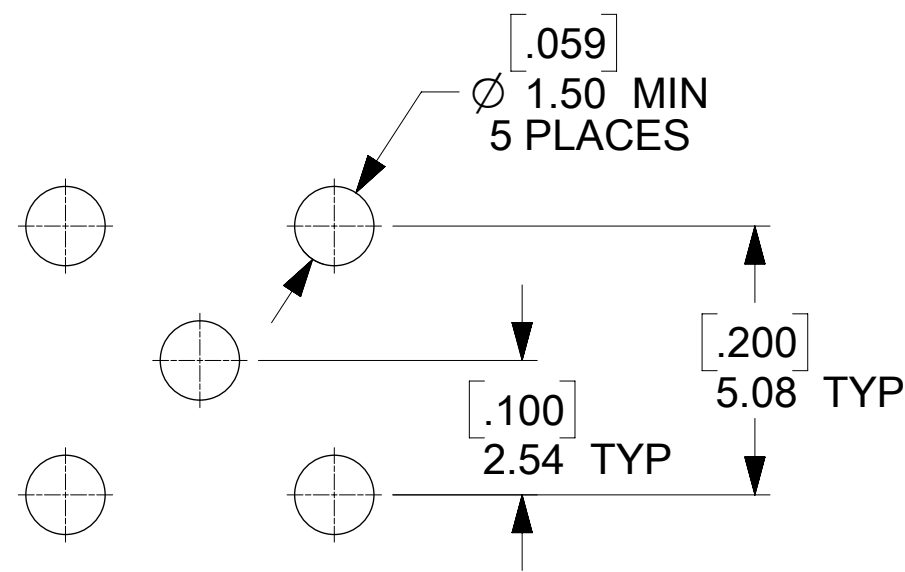
CENTER CONTACT: BERYLLIUM COPPER
PLATED GOLD

INSULATOR: TEFLON

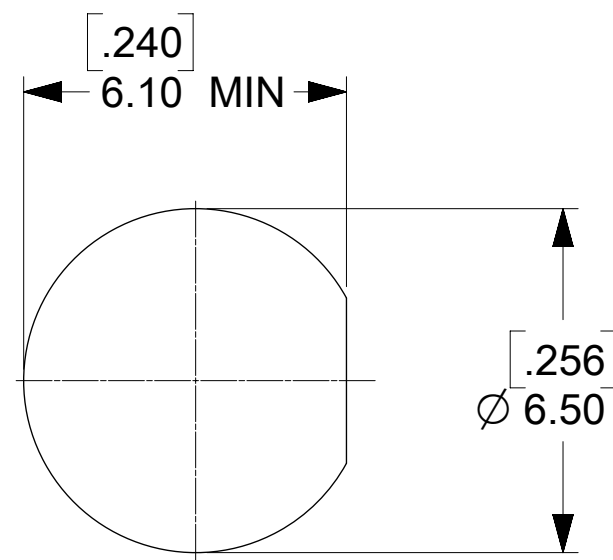
LOCKWASHER: PHOSPHOR BRONZE
FINISH: SEE TABLE

ELECTRICAL REQUIREMENTS:

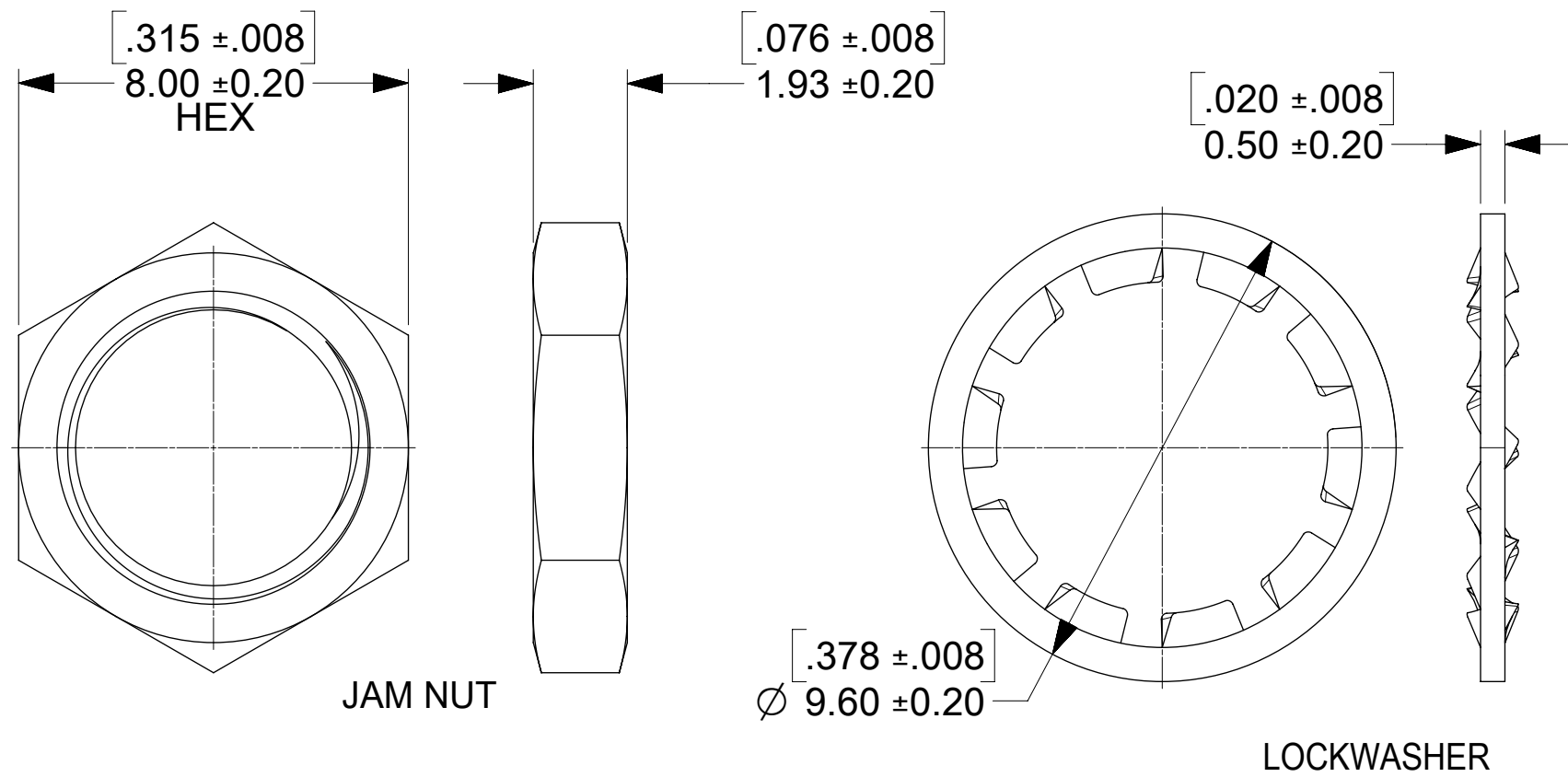
- VOLTAGE STANDING WAVE RATIO
 - 1.1(MAX) @0-6GHz.
 - 1.5(MAX) @6-12GHz.
 - 1.8(MAX) @12-18GHz.
- RF INSERTION LOSS:
 - 0.1(MAX) @0-6GHz.
 - 0.4(MAX) @6-12GHz.
 - 0.7(MAX) @12-18GHz.



RECOMMENDED PCB LAYOUT



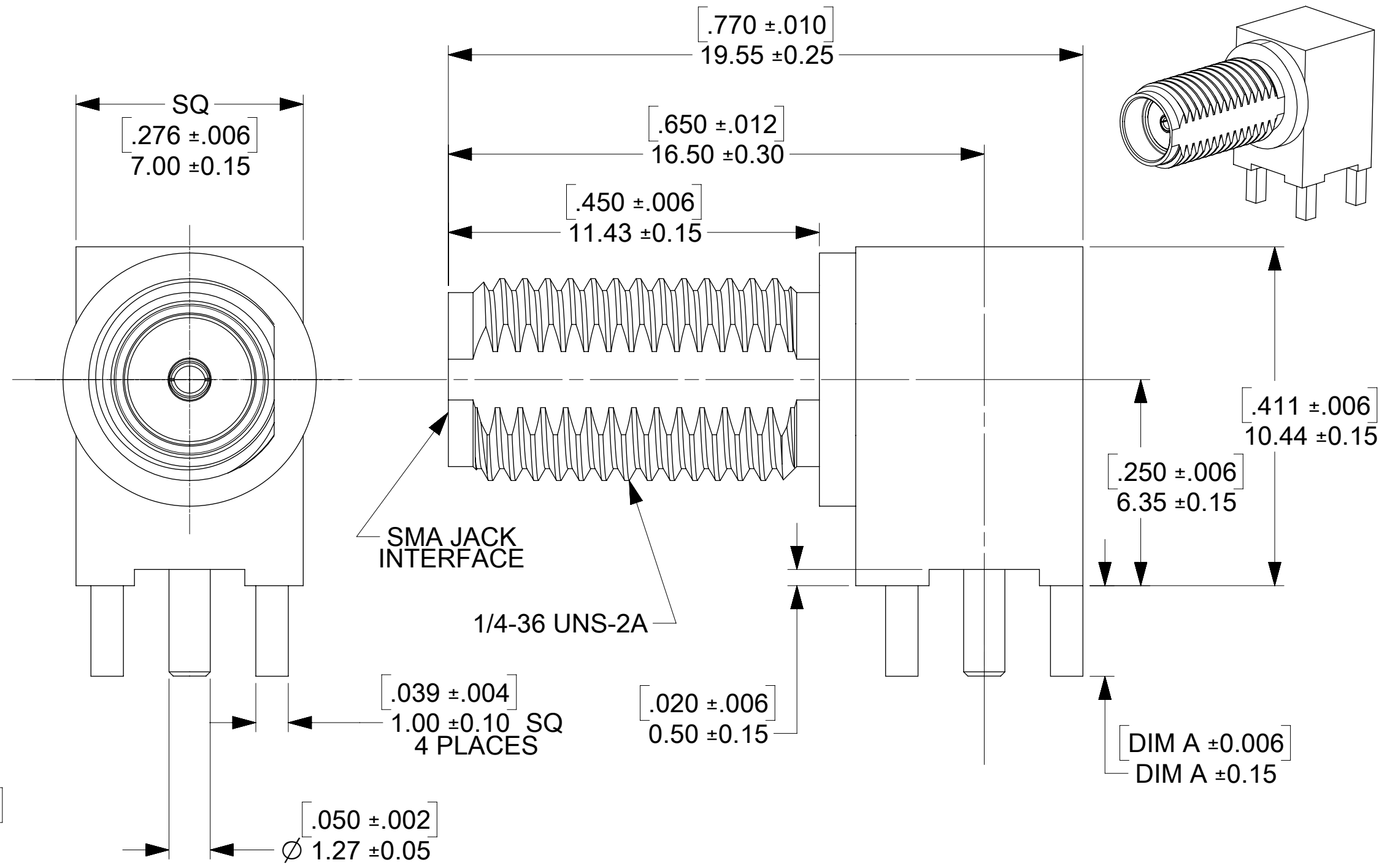
RECOMMENDED PANEL CUTOUT



JAM NUT

LOCKWASHER

PS-89675-368	SOLDER SPEC PROFILE
PS-89675-346	ELECTRO/MECH PERFORM.
SPECIFICATION	DESCRIPTION



SEE SD-73251-496 FOR PART NO. CONTINUATION

73251-2209	GOLD FLASH / STANDARD TRAY	3.94	.155
73251-2208	GOLD FLASH/STANDARD TRAY W/O WASHER AND NUT	3.94	.155
73251-2207	73251-2201 PACKAGED ONE PER BAG	2.79	.110
73251-2206	SAME AS 73251-2201 EXCEPT COMMERCIAL CONTACT	2.79	.110
73251-2205	SAME AS 73251-2200 EXCEPT COMMERCIAL CONTACT	2.79	.110
73251-2204	GOLD FLASH/STANDARD TRAY W/O WASHER AND NUT	2.79	.110
73251-2203	GOLD FLASH / STANDARD TRAY (54 CAVITY)	2.79	.110
73251-2202	73251-2201 PACKAGED IN SMALL TRAY (20 CAVITY)	2.79	.110
73251-2201	GOLD / STANDARD TRAY	2.79	.110
73251-2200	NICKEL / STANDARD TRAY	2.79	.110
PART NO.	PLATING (BODY, NUT, LOCKWASHER) AND PACKAGING	mm	IN
		DIM A	

FUNCTIONAL SYMBOLS	THIS DRAWING CONTAINS INFORMATION THAT IS PROPRIETARY TO MOLEX ELECTRONIC TECHNOLOGIES, LLC AND SHOULD NOT BE USED WITHOUT WRITTEN PERMISSION		
	DIMENSION UNITS	SCALE	CURRENT REV DESC: ADD SOLDER SPEC NO. PER EWR14716-B
$\nabla_A = 0$	mm	NTS	EC NO: 675413 DRWN: CWEI02 CHK'D: YCHENG APPR: YCHENG 2021/08/24 2021/08/26 2021/08/26
$\nabla_C = 0$	GENERAL TOLERANCES (UNLESS SPECIFIED)		
$\nabla_P = 0$	ANGULAR TOL ± °		INITIAL REVISION: DRWN: AROBERTSON APPR: JWIENER 2012/11/21 2012/11/21
DIVISIONAL SYMBOLS	4 PLACES ±	3 PLACES ±	
	2 PLACES ±	1 PLACE ±	SD-73251-220 PSD 000 D14
	0 PLACES ±		
DRAFT WHERE APPLICABLE MUST REMAIN WITHIN DIMENSIONS		THIRD ANGLE PROJECTION	DRAWING SERIES
			C-SIZE 73251
DOCUMENT STATUS	P1	RELEASE DATE	2021/08/26 10:31:44
DOCUMENT NUMBER		CUSTOMER	SHEET NUMBER
SD-73251-220		GENERAL MARKET	1 OF 1

molex

SMA JACK, R/A PCB 50 OHM
SMA-J/RA/PCB EWR-2144

PRODUCT CUSTOMER DRAWING

DOCUMENT NUMBER DOC TYPE DOC PART REVISION

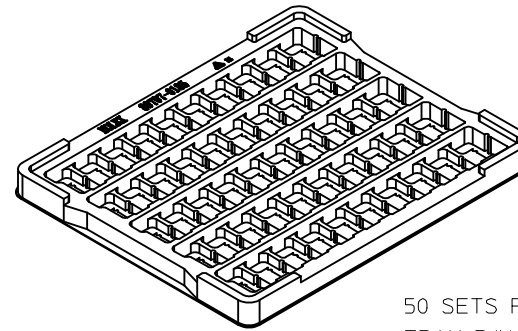
SD-73251-220 PSD 000 D14

MATERIAL NUMBER CUSTOMER SHEET NUMBER

SEE TABLE GENERAL MARKET 1 OF 1

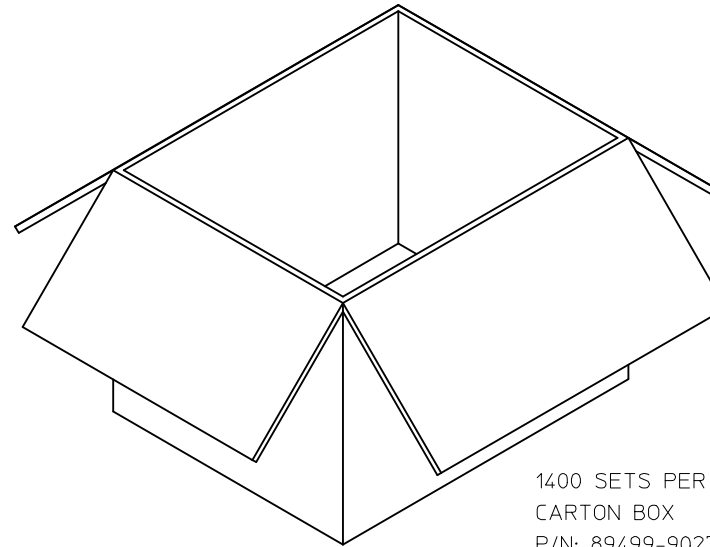


P/N: 73251-2200 / 73251-2201
 73251-2205 / 73251-2206
 73251-2208 / 73251-2209



50 SETS PER TRAY
 TRAY P/N: 89707-0185

FOR 73251-2200, 73251-2201,
 73251-2205, 73251-2206,
 73251-2208, AND 73251-2209

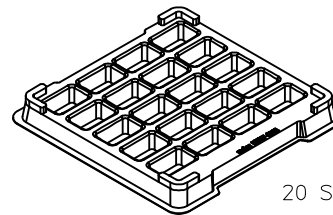


1400 SETS PER OUTER
 CARTON BOX
 P/N: 89499-9027

CHG NEW RELEASE PER RF13-E131 EC NO: URF2013-0734 DRAWN BY: RYEH CHKD: KERRIE APPR: MHUANG 2013/06/28 2013/07/26	QUALITY SYMBOLS = 0 = 0 = 0	GENERAL TOLERANCES (UNLESS SPECIFIED) <table border="1"> <tr> <td></td> <td>mm</td> <td>INCH</td> </tr> <tr> <td>4 PLACES</td> <td>± .005</td> <td>± .0004</td> </tr> <tr> <td>3 PLACES</td> <td>± .005</td> <td>± .0004</td> </tr> <tr> <td>2 PLACES</td> <td>± .005</td> <td>± .0004</td> </tr> <tr> <td>1 PLACE</td> <td>± .005</td> <td>± .0004</td> </tr> <tr> <td>0 PLACE</td> <td>± .005</td> <td>± .0004</td> </tr> </table>		mm	INCH	4 PLACES	± .005	± .0004	3 PLACES	± .005	± .0004	2 PLACES	± .005	± .0004	1 PLACE	± .005	± .0004	0 PLACE	± .005	± .0004	DIMENSION STYLE MM/IN DRAWN BY: RYEH DATE: 2013/06/28 CHECKED BY: KERRIE DATE: 2013/06/28 APPROVED BY: MHUANG DATE: 2013/07/26	SCALE 2.5:1 DESIGN UNITS METRIC THIRD ANGLE PROJECTION	TITLE SMA JACK R/A PCB TH 50 OHMS SMA-J/PCB molex	MATERIAL NO. SEE TABLE DOCUMENT NO. SD-73251-220-PKG	SHEET NO. 1 OF 4
		mm	INCH																						
	4 PLACES	± .005	± .0004																						
	3 PLACES	± .005	± .0004																						
2 PLACES	± .005	± .0004																							
1 PLACE	± .005	± .0004																							
0 PLACE	± .005	± .0004																							
REV: A	DESCRIPTION:	ANGULAR ± 2° DRAFT WHERE APPLICABLE MUST REMAIN WITHIN DIMENSIONS	SIZE C	THIS DRAWING CONTAINS INFORMATION THAT IS PROPRIETARY TO MOLEX INCORPORATED AND SHOULD NOT BE USED WITHOUT WRITTEN PERMISSION																					

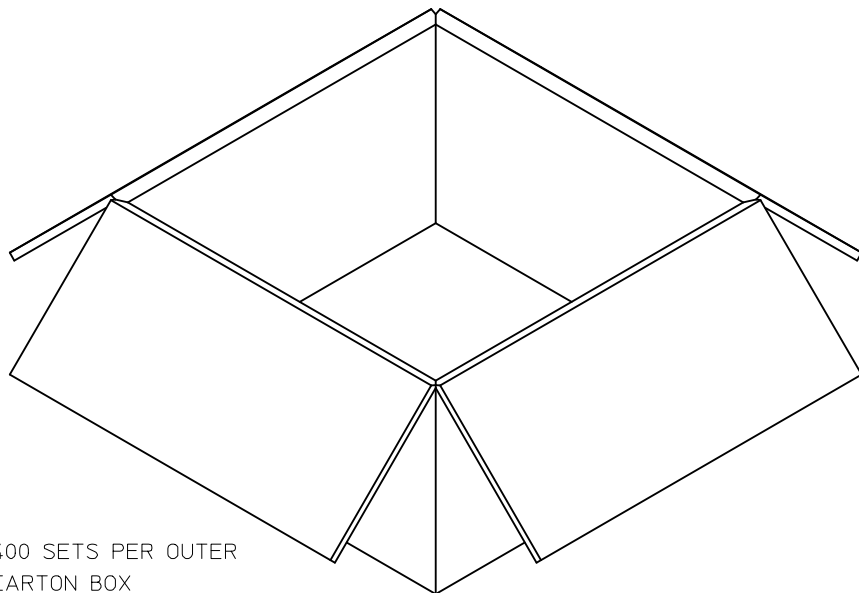


P/N: 73251-2202

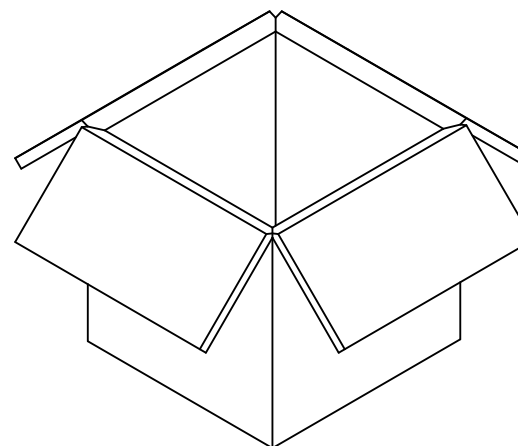


20 SETS PER TRAY
TRAY P/N: 89707-0308

FOR 73251-2202 ONLY



400 SETS PER OUTER
CARTON BOX
P/N: 96707-0002



200 SETS PER INNER
CARTON BOX
P/N: 96707-0005

CHG:SEE SHEET 1
EC NO: URF2013-0734
DRAWN:RYEH
CHKD:
APPR:MHUANG
REV A

DESCRIPTION 2013/06/28
2013/07/26

QUALITY SYMBOLS
 ▽=0
 ▽=0
 ▽=0

GENERAL TOLERANCES (UNLESS SPECIFIED)

	mm	INCH
4 PLACES	± .005	± .0004
3 PLACES	± .005	± .0004
2 PLACES	± .005	± .0004
1 PLACE	± .005	± .0004
0 PLACE	± .005	± .0004

ANGULAR ± 2 °

DRAFT WHERE APPLICABLE MUST REMAIN WITHIN DIMENSIONS

DIMENSION STYLE
MM/IN

DRAWN BY	DATE
RYEH	2013/06/28
CHECKED BY	DATE
KERRIE	2013/06/28
APPROVED BY	DATE
MHUANG	2013/07/26

MATERIAL NO. SEE TABLE

SCALE 2:1

DESIGN UNITS METRIC

THIRD ANGLE PROJECTION

TITLE
SMA JACK R/A PCB TH
50 OHMS
SMA-J/PCB

molex

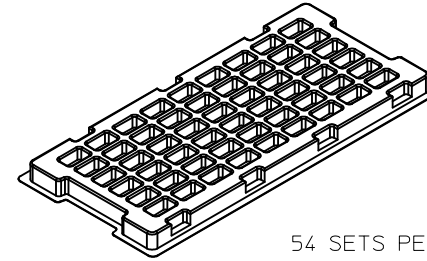
DOCUMENT NO. SD-73251-220-PKG

SHEET NO. 2 OF 4

THIS DRAWING CONTAINS INFORMATION THAT IS PROPRIETARY TO MOLEX INCORPORATED AND SHOULD NOT BE USED WITHOUT WRITTEN PERMISSION

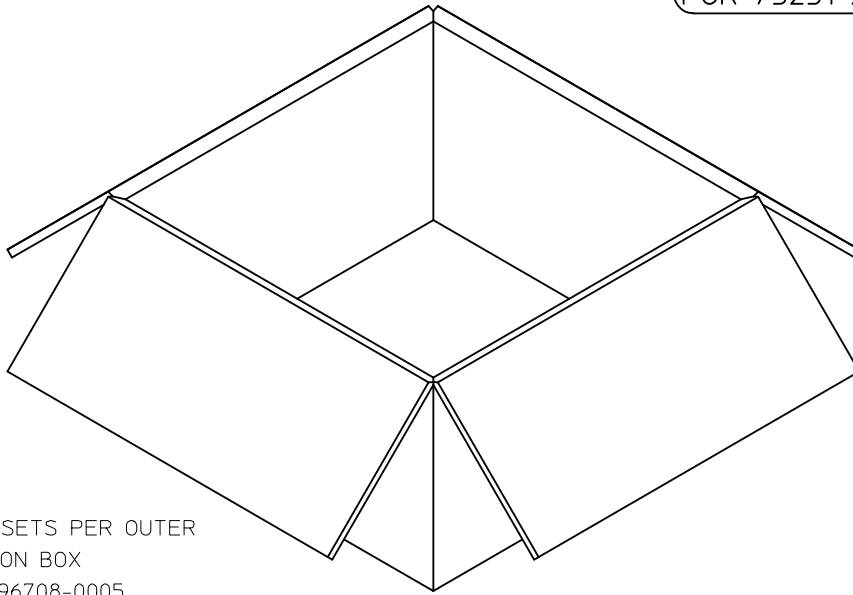


P/N: 73251-2203 / 73251-2204

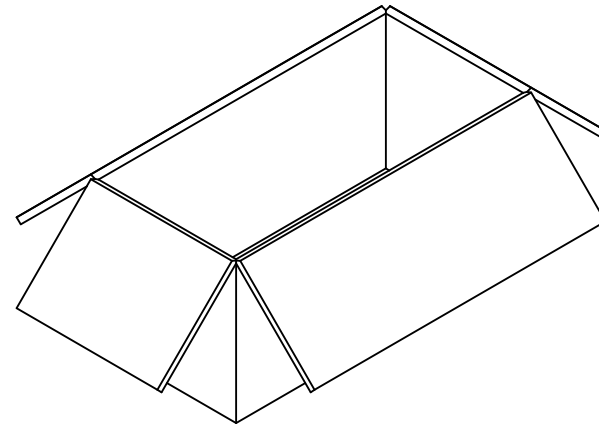


54 SETS PER TRAY
TRAY P/N: 89707-0220

FOR 73251-2203 AND 73251-2204



1080 SETS PER OUTER
CARTON BOX
P/N: 96708-0005



540 SETS PER INNER
CARTON BOX
P/N: 96707-0001

CHG:SEE SHEET 1
EC NO: URF2013-0734
DRAWN:RYEH 2013/06/28
CHKD:
APPR:MHUANG 2013/07/26

REV	DESCRIPTION
A	

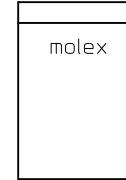
QUALITY SYMBOLS	
	=0
	=0
	=0

GENERAL TOLERANCES (UNLESS SPECIFIED)	
4 PLACES	± --- ± ---
3 PLACES	± --- ± ---
2 PLACES	± --- ± ---
1 PLACE	± --- ± ---
0 PLACE	± --- ± ---
ANGULAR ± 2 °	
DRAFT WHERE APPLICABLE MUST REMAIN WITHIN DIMENSIONS	

DIMENSION STYLE		SCALE	DESIGN UNITS	THIRD ANGLE PROJECTION
MM/IN		2:1	METRIC	
DRAWN BY	DATE	TITLE		
RYEH	2013/06/28	SMA JACK R/A PCB TH		
CHECKED BY	DATE	50 OHMS		
KERRIE	2013/06/28	SMA-J/PCB		
APPROVED BY	DATE	molex		
MHUANG	2013/07/26	MATERIAL NO.	DOCUMENT NO.	SHEET NO.
		SEE TABLE	SD-73251-220-PKG	3 OF 4
THIS DRAWING CONTAINS INFORMATION THAT IS PROPRIETARY TO MOLEX INCORPORATED AND SHOULD NOT BE USED WITHOUT WRITTEN PERMISSION				

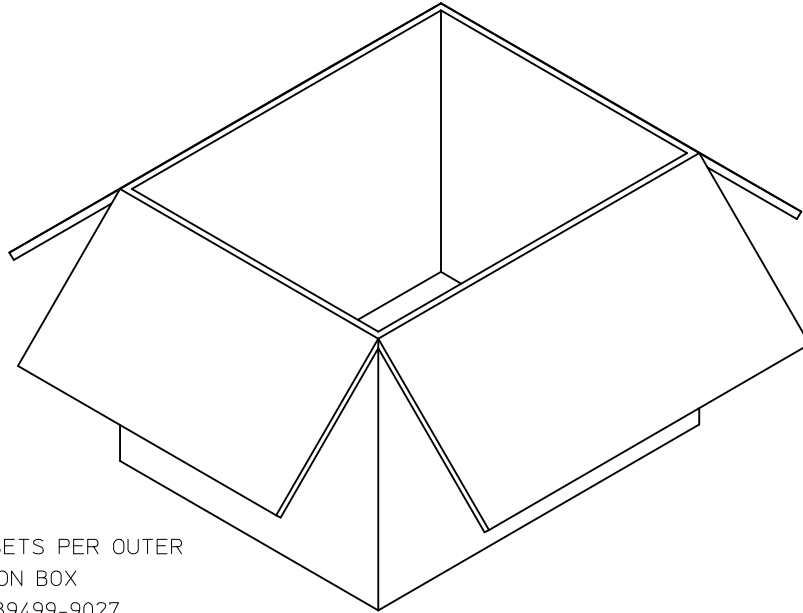


P/N: 73251-2207



1 SET PER POLYBAG
P/N: 89707-0317

FOR 73251-2207 ONLY



500 SETS PER OUTER
CARTON BOX
P/N: 89499-9027

50 SETS PER POLYBAG
P/N: 89707-0174

CHG:SEE SHEET 1 EC NO: URF2013-0734 DRAWN: RYEH CHKD: MUYEH APPR: MHUANG 2013/06/28 2013/07/26	QUALITY SYMBOLS	GENERAL TOLERANCES (UNLESS SPECIFIED)	DIMENSION STYLE	SCALE	DESIGN UNITS	THIRD ANGLE PROJECTION
	▽=0	mm INCH	MM/IN	1:1	METRIC	
	▽=0	4 PLACES ± --- ± ---	DRAWN BY DATE	TITLE		
	▽=0	3 PLACES ± --- ± ---	RYEH 2013/06/28	SMA JACK R/A PCB TH		
	2 PLACES ± --- ± ---	CHECKED BY DATE	50 OHMS			
	1 PLACE ± --- ± ---	KERRIE 2013/06/28	SMA-J/PCB			
	0 PLACE ± --- ± ---	APPROVED BY DATE	molex			
		MHUANG 2013/07/26	MATERIAL NO.	DOCUMENT NO.	SHEET NO.	
		ANGULAR ± 2 °	SEE TABLE	SD-73251-220-PKG	4 OF 4	
		DRAFT WHERE APPLICABLE MUST REMAIN WITHIN DIMENSIONS	THIS DRAWING CONTAINS INFORMATION THAT IS PROPRIETARY TO MOLEX INCORPORATED AND SHOULD NOT BE USED WITHOUT WRITTEN PERMISSION			

MATERIALS AND FINISHES:

BODY, JAM NUT: BRASS
FINISH: SEE TABLE

CENTER CONTACT: BERYLLIUM COPPER
PLATED GOLD

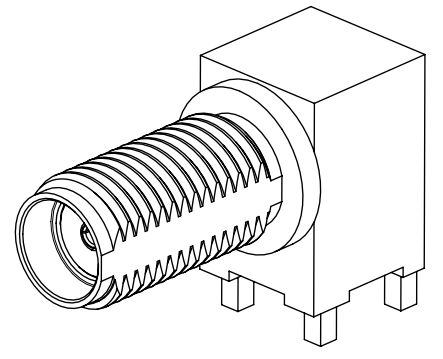
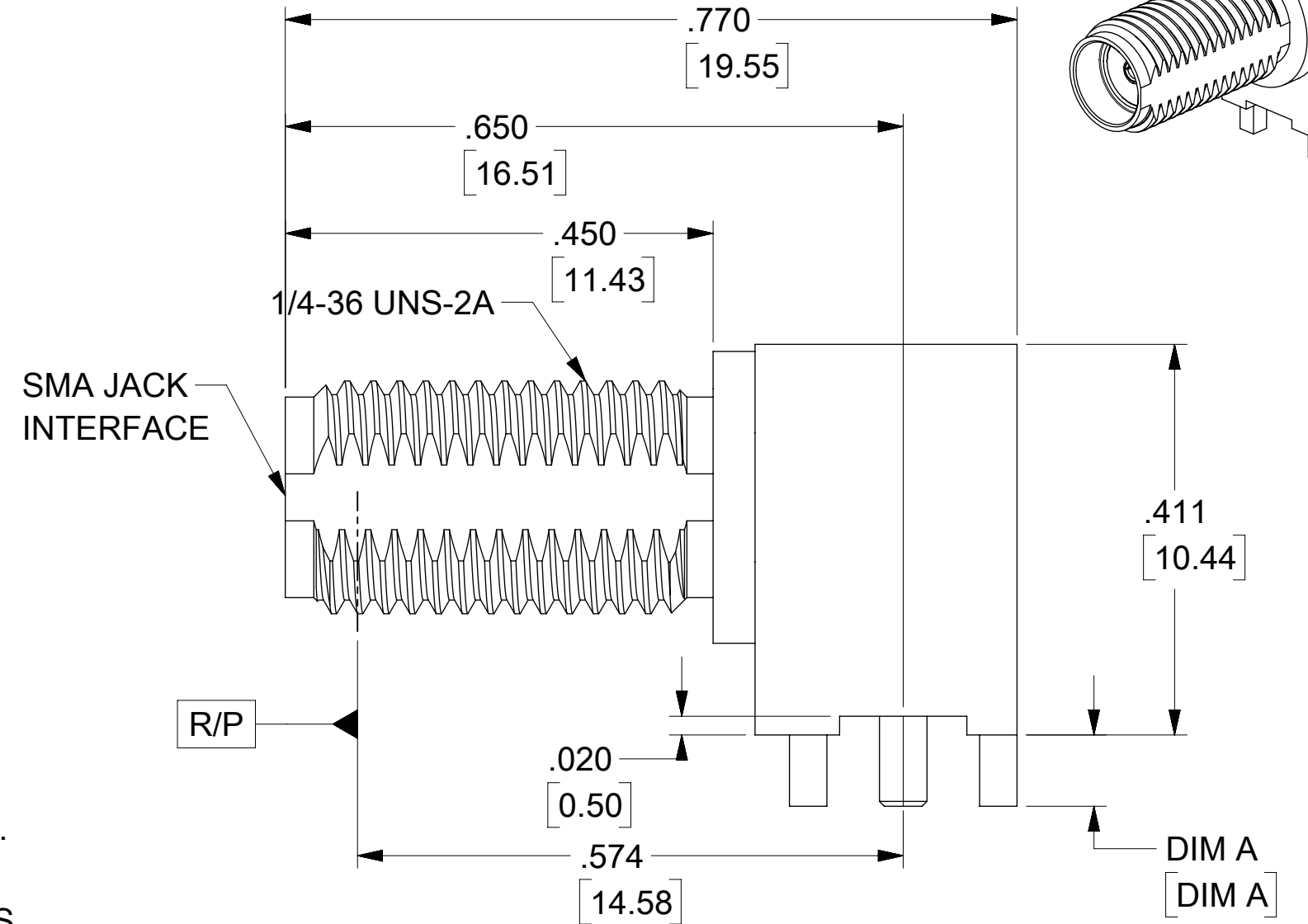
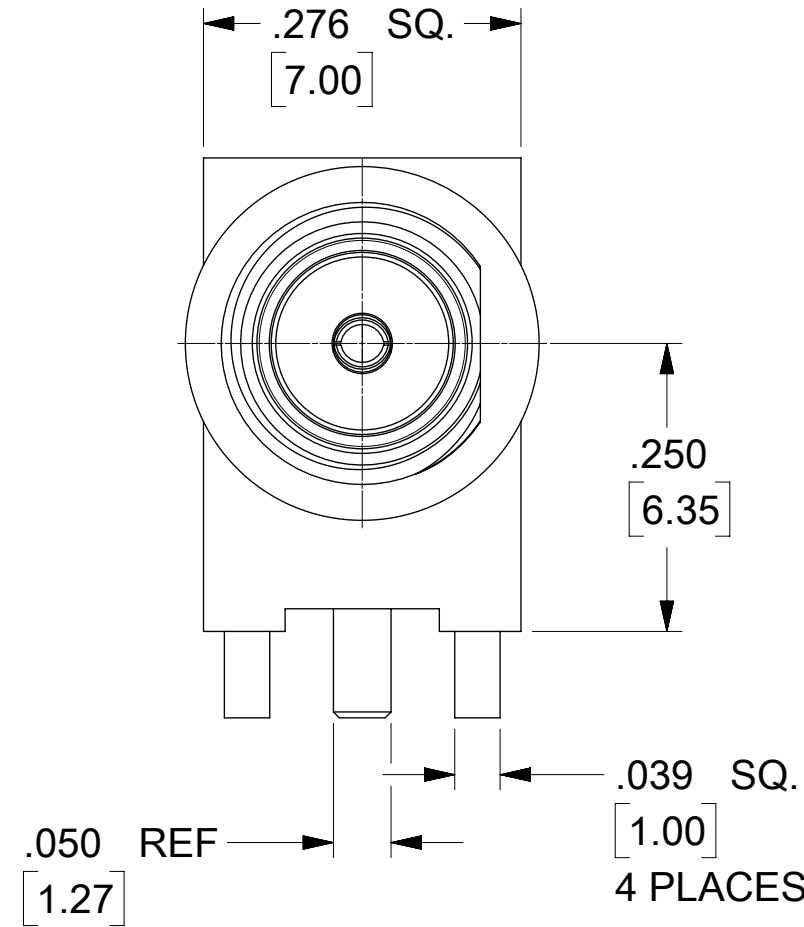
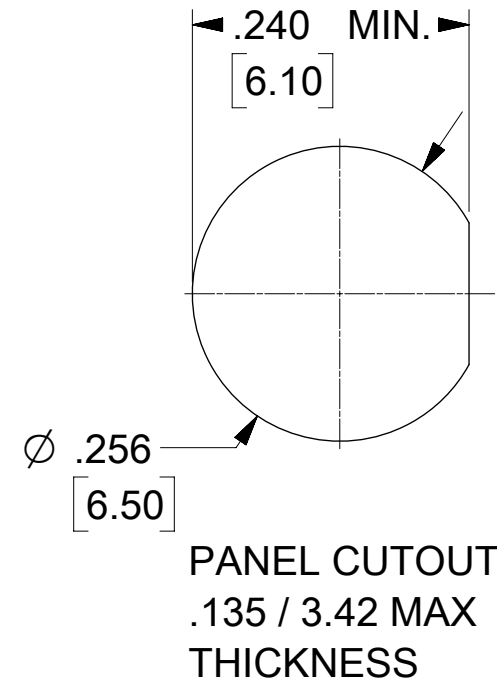
INSULATOR: TEFLON

LOCK WASHER: PHOSPHOR BRONZE
FINISH: SEE TABLE

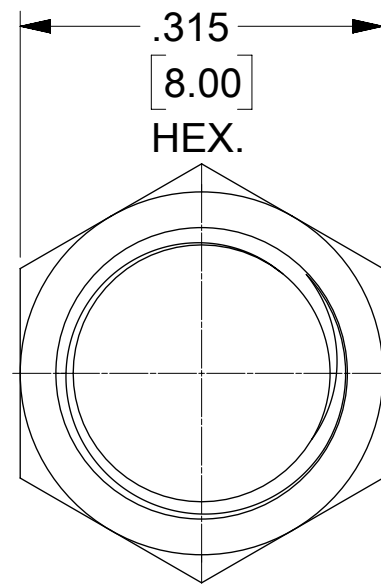
PACKAGING: SEE TABLE

ELECTRICAL REQUIREMENTS:

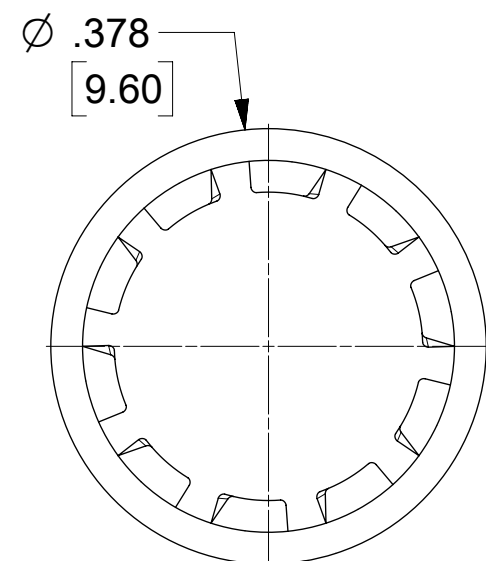
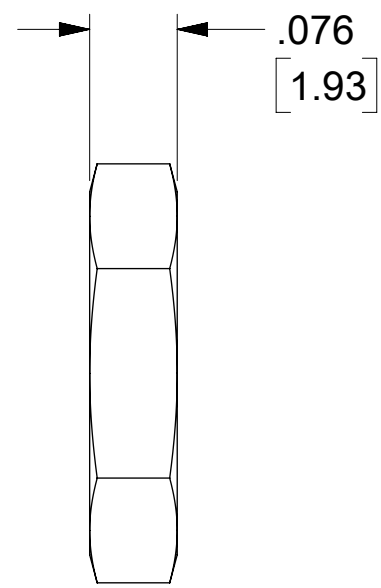
- VOLTAGE STANDING WAVE RATIO
 - 1.1(MAX) @0-6GHz.
 - 1.5(MAX) @6-12GHz.
 - 1.8(MAX) @12-18GHz.
- RF INSERTION LOSS:
 - 0.1(MAX) @0-6GHz.
 - 0.4(MAX) @6-12GHz.
 - 0.7(MAX) @12-18GHz.



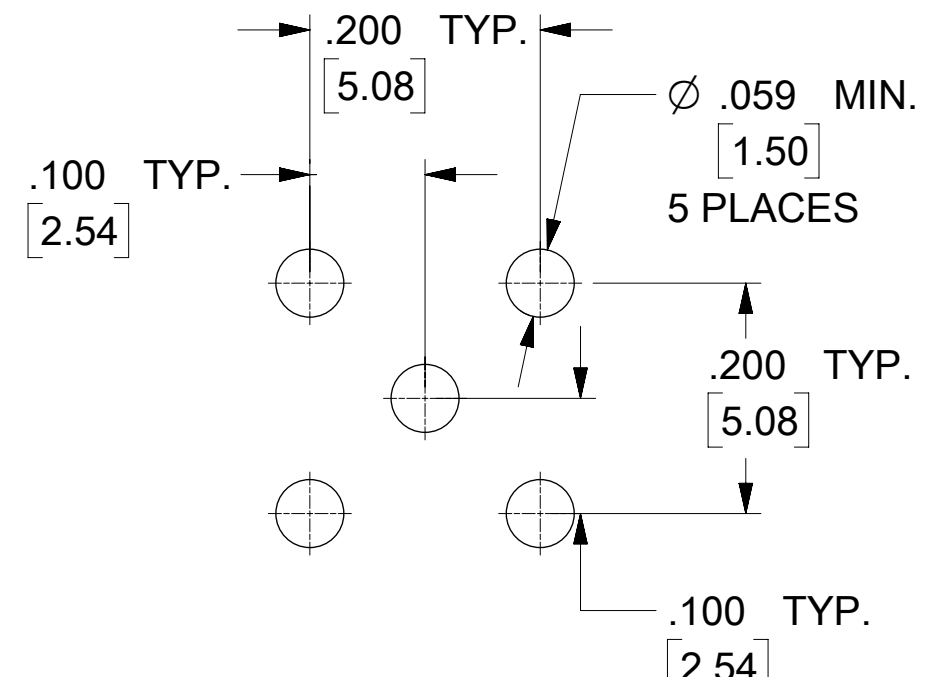
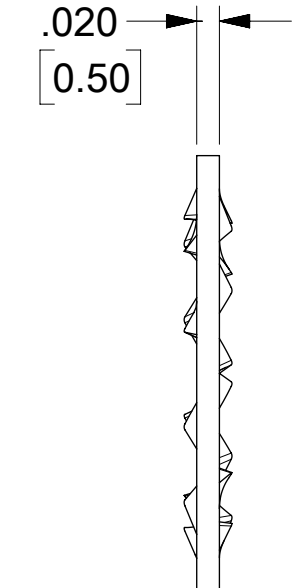
73251-4967	73251-2201 TAPE AND REEL
73251-4966	BAG
73251-4965	TRAY
73251-4964	
73251-4963	
73251-4962	
73251-4961	
73251-4960	
PART NO.	PACKAGING



JAM NUT



LOCK WASHER



RECOMMENDED PCB LAYOUT

SD-73251-496 IS CONTINUATION FOR SD-73251-220

PART NO.	JAM NUT QTY	WASHER QTY	IN / MM	BODY	CONTACT	JAM NUT & LOCK WASHER
73251-4967	1	1	.110 / 2.79	GOLD (5µ-in MIN) OVER NICKEL (50µ-in MIN)	GOLD (30µ-in MIN) OVER NICKEL(100µ-in MIN)	GOLD (1µ-in MIN) OVER NICKEL (50µ-in MIN)
73251-4966	1	1	.110 / 2.79	NICKEL (100µ-in MIN)	GOLD (30µ-in MIN) OVER NICKEL(100µ-in MIN)	NICKEL (100µ-in MIN)
73251-4965	2	1	.110 / 2.79	GOLD (5µ-in MIN) OVER NICKEL (50µ-in MIN)	GOLD (30µ-in MIN) OVER NICKEL(100µ-in MIN)	GOLD (1µ-in MIN) OVER NICKEL (50µ-in MIN)
73251-4964	1	1	.075 / 1.91	GOLD (5µ-in MIN) OVER NICKEL (50µ-in MIN)	GOLD (30µ-in MIN) OVER NICKEL(100µ-in MIN)	GOLD (1µ-in MIN) OVER NICKEL (50µ-in MIN)
73251-4963	NOT INCLUDED	NOT INCLUDED	.110 / 2.79	GOLD (5µ-in MIN) OVER NICKEL (50µ-in MIN)	GOLD (30µ-in MIN) OVER NICKEL(100µ-in MIN)	-----
73251-4962	1	NOT INCLUDED	.110 / 2.79	NICKEL (100µ-in MIN)	GOLD (30µ-in MIN) OVER NICKEL(100µ-in MIN)	NICKEL (100µ-in MIN)
73251-4961	2	1	.155 / 3.94	GOLD (1µ-in MIN) OVER NICKEL (50µ-in MIN)	GOLD (1µ-in MIN) OVER NICKEL (50µ-in MIN)	GOLD (1µ-in MIN) OVER NICKEL (50µ-in MIN)
73251-4960	1	1	.075 / 1.91	GOLD (1µ-in MIN) OVER NICKEL (50µ-in MIN)	GOLD (1µ-in MIN) OVER NICKEL (50µ-in MIN)	GOLD (1µ-in MIN) OVER NICKEL (50µ-in MIN)
	INCLUDED	INCLUDED	DIM A	PLATING	PLATING	PLATING

PS-89675-3460	PRODUCT SPECIFICATION
MIL-STD-348A, FIG. 310.2	INTERFACE
SPECIFICATION	DESCRIPTION

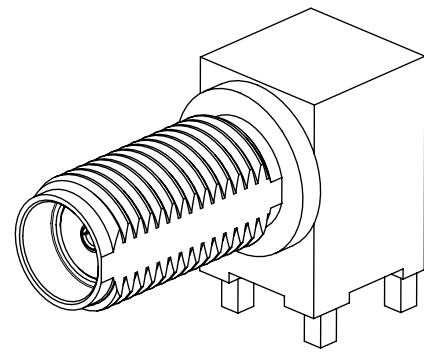
FUNCTIONAL SYMBOLS		THIS DRAWING CONTAINS INFORMATION THAT IS PROPRIETARY TO MOLEX ELECTRONIC TECHNOLOGIES, LLC AND SHOULD NOT BE USED WITHOUT WRITTEN PERMISSION	
FA = 0	DIMENSION UNITS	SCALE	CURRENT REV DESC: ADD P/N 73251-4967 FOR TR PACKAGING PER EWR14716-C
EA = 0	INCH/MM	NTS	
EP = 0	GENERAL TOLERANCES (UNLESS SPECIFIED)		
	ANGULAR TOL ± °		
	4 PLACES ±		EC NO: 737836
	3 PLACES ±		DRWN: CWEI02 2023/02/03
	2 PLACES ±		CHK'D: YCHENG 2023/02/10
	1 PLACE ±		APPR: YCHENG 2023/02/10
	0 PLACES ±		INITIAL REVISION:
			DRWN: AROBERTSON 2012/11/21
			APPR: JWIENER 2012/11/27
DIVISIONAL SYMBOLS		THIRD ANGLE PROJECTION	DRAWING SERIES
DRAFT WHERE APPLICABLE MUST REMAIN WITHIN DIMENSIONS		C-SIZE	73251
DOCUMENT STATUS		P1	RELEASE DATE
2023/02/10		08:51:15	
DOCUMENT NUMBER		CUSTOMER	SHEET NUMBER
SD-73251-496		GENERAL MARKET	1 OF 6



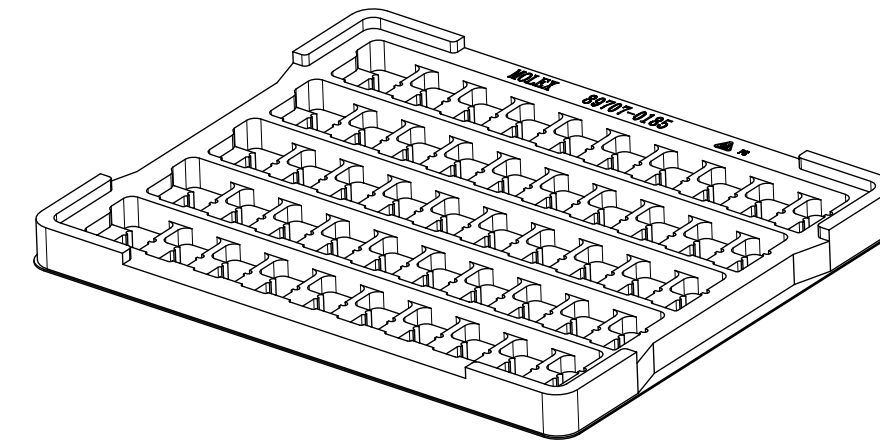
SMA JACK RA
BLKHD RM PCB TH SMA-J/RA/PCB, EWR-2144

PRODUCT CUSTOMER DRAWING

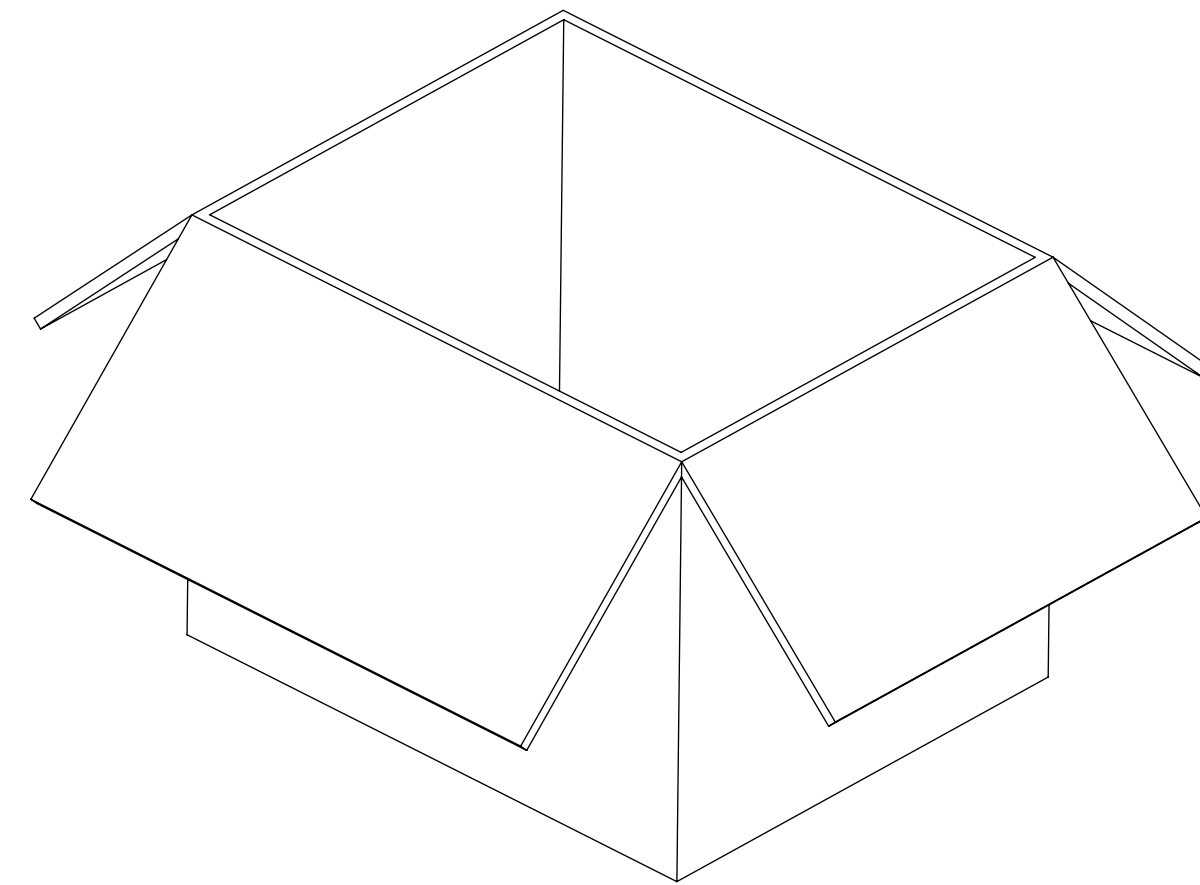
DOCUMENT NUMBER: SD-73251-496, DOC TYPE: PSD, DOC PART: 000, REVISION: B10




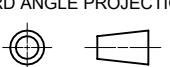
PART NO : 73251-4960
 PART NO: 73251-4962
 PART NO: 73251-4963
 PART NO: 73251-4964
 PART NO: 73251-4965



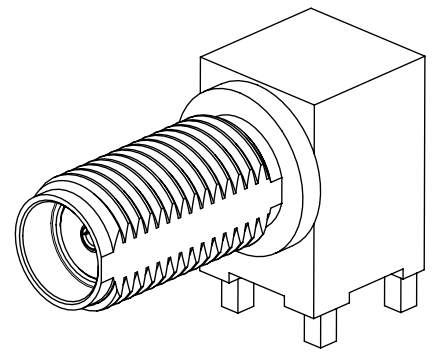
50 SET PER TRAY
 P/N: 89707-0185



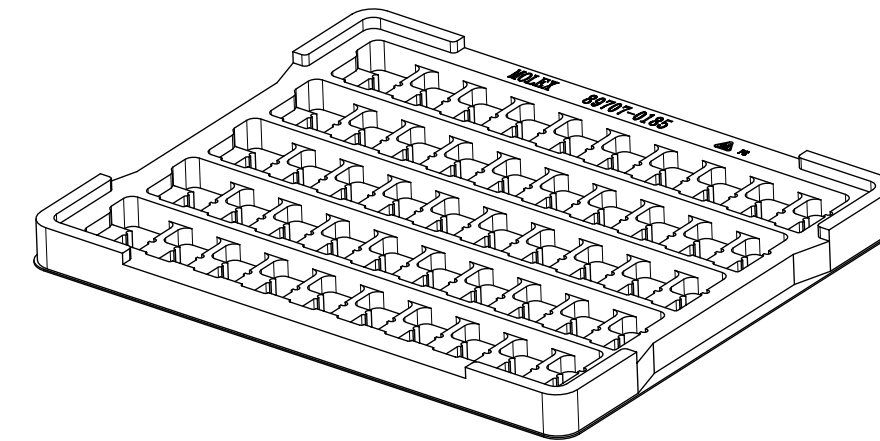
1400 SET PER OUTER CARTON BOX
 P/N: 89499-9027

FUNCTIONAL SYMBOLS	THIS DRAWING CONTAINS INFORMATION THAT IS PROPRIETARY TO MOLEX ELECTRONIC TECHNOLOGIES, LLC AND SHOULD NOT BE USED WITHOUT WRITTEN PERMISSION										
	DIMENSION UNITS	SCALE	CURRENT REV DESC: ADD P/N 73251-4967 FOR TR PACKAGING PER EWR14716-C								
$\frac{F}{A} = 0$	INCH/MM	NTS	EWR-14242-J ADDED LABEL FORMAT FOR 73251-4966								
DIVISIONAL SYMBOLS	GENERAL TOLERANCES (UNLESS SPECIFIED)		EC NO: 737836							PRODUCT CUSTOMER DRAWING	
	ANGULAR TOL \pm °		DRWN: CWEI02 2023/02/03							DOCUMENT NUMBER	
	4 PLACES \pm		CHK'D: YCHENG 2023/02/10							SD-73251-496	
	3 PLACES \pm		APPR: YCHENG 2023/02/10							DOC TYPE	
	2 PLACES \pm		INITIAL REVISION:							DOC PART	
	1 PLACE \pm		DRWN: AROBERTSON 2012/11/21							REVISION	
	0 PLACES \pm		APPR: JWIENER 2012/11/27							B10	
DRAFT WHERE APPLICABLE MUST REMAIN WITHIN DIMENSIONS			THIRD ANGLE PROJECTION	DRAWING	SERIES	MATERIAL NUMBER	CUSTOMER	SHEET NUMBER			
				C-SIZE	73251	SEE TABLE	GENERAL MARKET	2 OF 6			

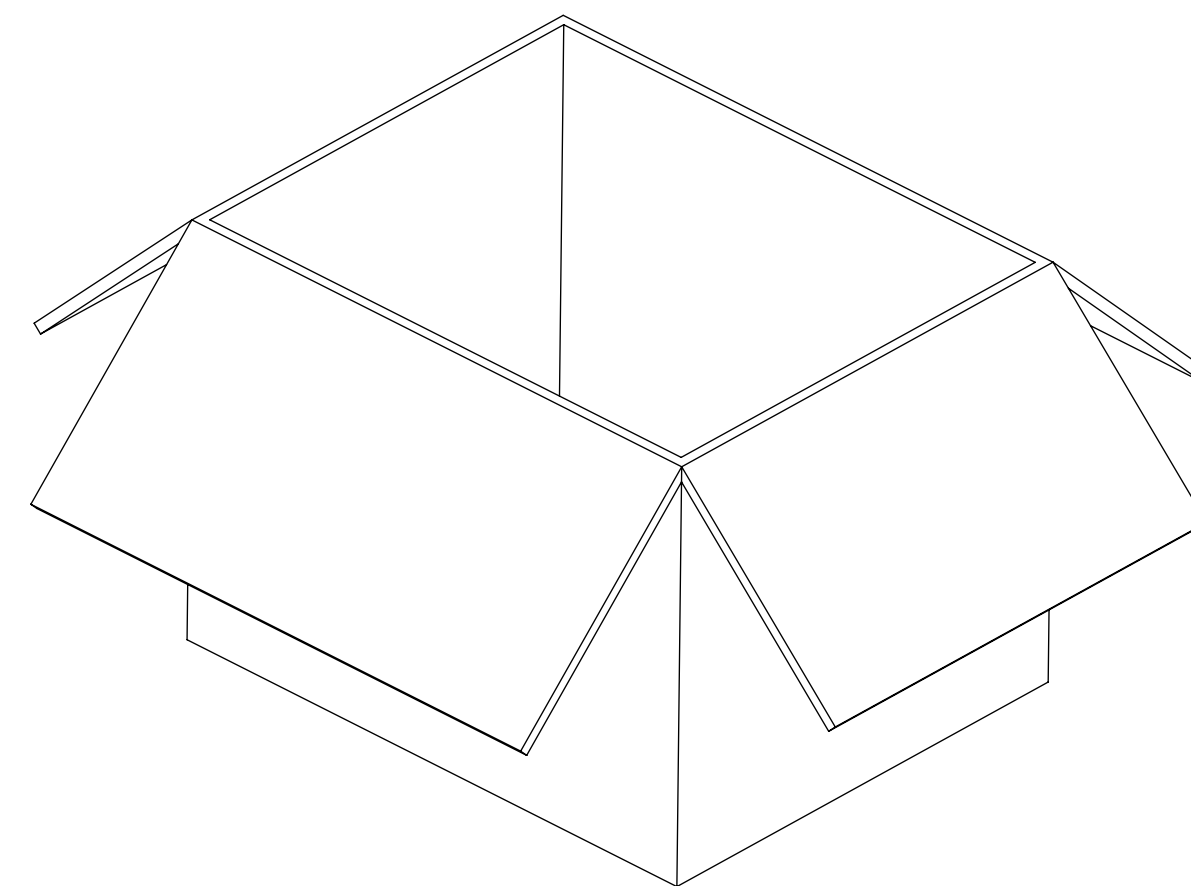
DOCUMENT STATUS	P1	RELEASE DATE	2023/02/10	08:51:15
-----------------	----	--------------	------------	----------



PART NO : 73251-4961



50 SET PER TRAY
P/N: 89707-0185



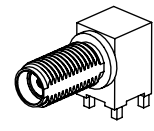
1200 SET PER OUTER CARTON BOX
P/N: 89499-9027

FUNCTIONAL SYMBOLS	THIS DRAWING CONTAINS INFORMATION THAT IS PROPRIETARY TO MOLEX ELECTRONIC TECHNOLOGIES, LLC AND SHOULD NOT BE USED WITHOUT WRITTEN PERMISSION									
	DIMENSION UNITS	SCALE	CURRENT REV DESC: ADD P/N 73251-4967 FOR TR PACKAGING PER EWR14716-C							
$\frac{F}{A} = 0$	INCH/MM	NTS	EWR-14242-J ADDED LABEL FORMAT FOR 73251-4966							
$\frac{E}{C} = 0$	GENERAL TOLERANCES (UNLESS SPECIFIED)									
	ANGULAR TOL	±	°	EC NO: 737836						
$\frac{E}{P} = 0$	4 PLACES	±	DRWN: CWEI02 2023/02/03							
	3 PLACES	±	CHK'D: YCHENG 2023/02/10							
DIVISIONAL SYMBOLS	2 PLACES	±	APPR: YCHENG 2023/02/10							
	1 PLACE	±	INITIAL REVISION:							
0 PLACES	±	DRWN: AROBERTSON 2012/11/21								
DRAFT WHERE APPLICABLE MUST REMAIN WITHIN DIMENSIONS			THIRD ANGLE PROJECTION	DRAWING	SERIES	MATERIAL NUMBER	CUSTOMER	SHEET NUMBER		
				C-SIZE	73251	SEE TABLE	GENERAL MARKET	3 OF 6		
								DOCUMENT NUMBER		
								SD-73251-496		
								DOC TYPE		
								PSD		
								DOC PART		
								000		
								REVISION		
								B10		

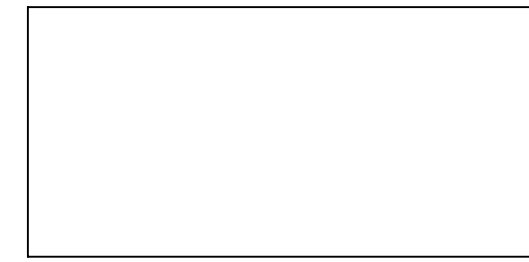
molex

SMA JACK RA
BLKHD RM PCB TH SMA-J/RA/PCB, EWR-2144

PRODUCT CUSTOMER DRAWING



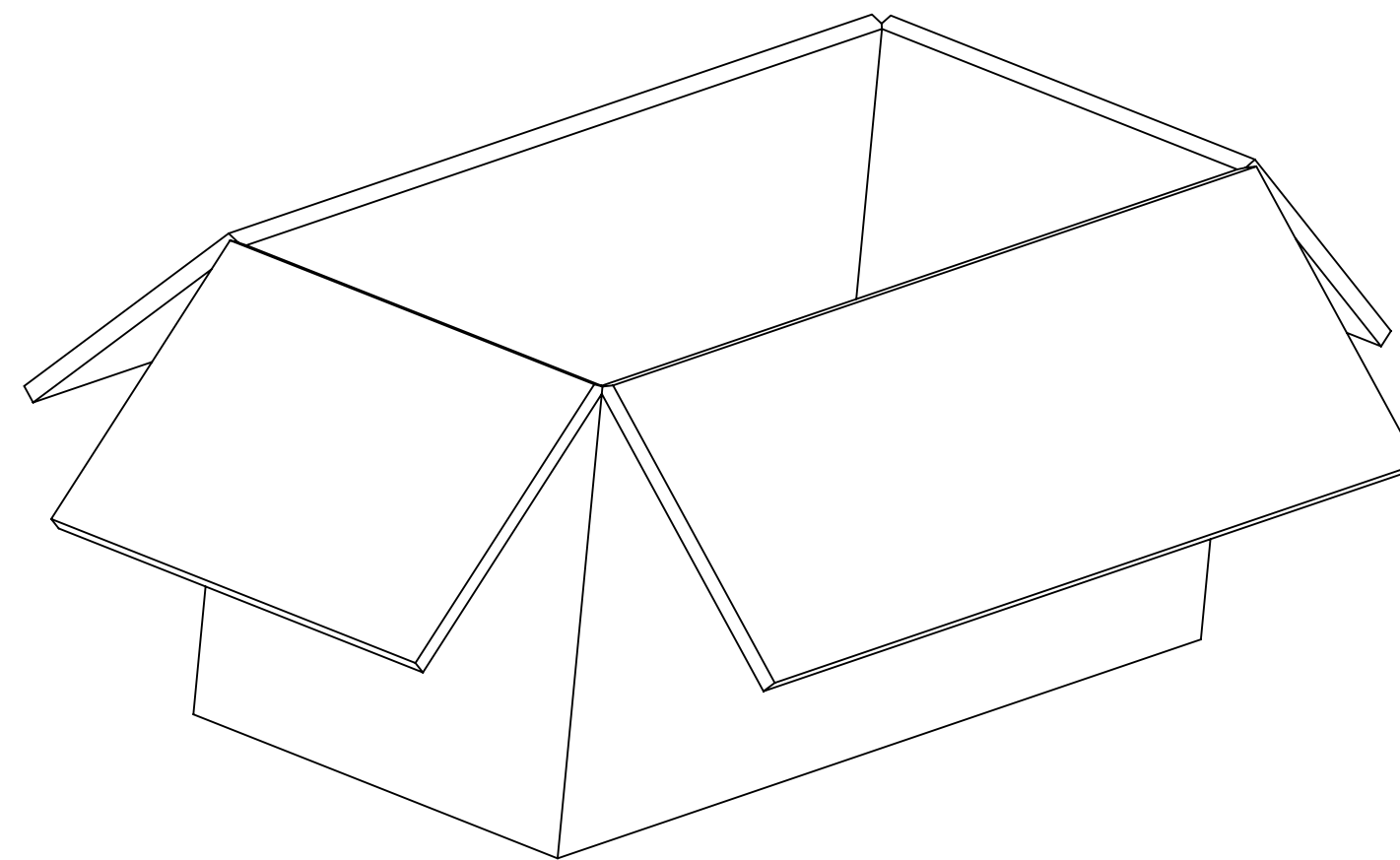
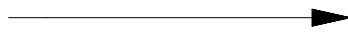
FOR 73251-4966 ONLY



1 SET PER POLYBAG
P/N: 89707-0317



50 SET PER POLYBAG
P/N: 89707-0176



500 SET PER OUTER CARTON BOX
P/N: 96707-0002

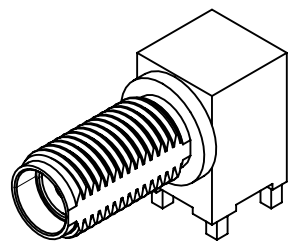
LABEL FORMAT FOR
73251-4966

PART NUMBER : 73251-2200
ORDER NUMBER : 73251-4966
MOLEX
DATE : YYWW

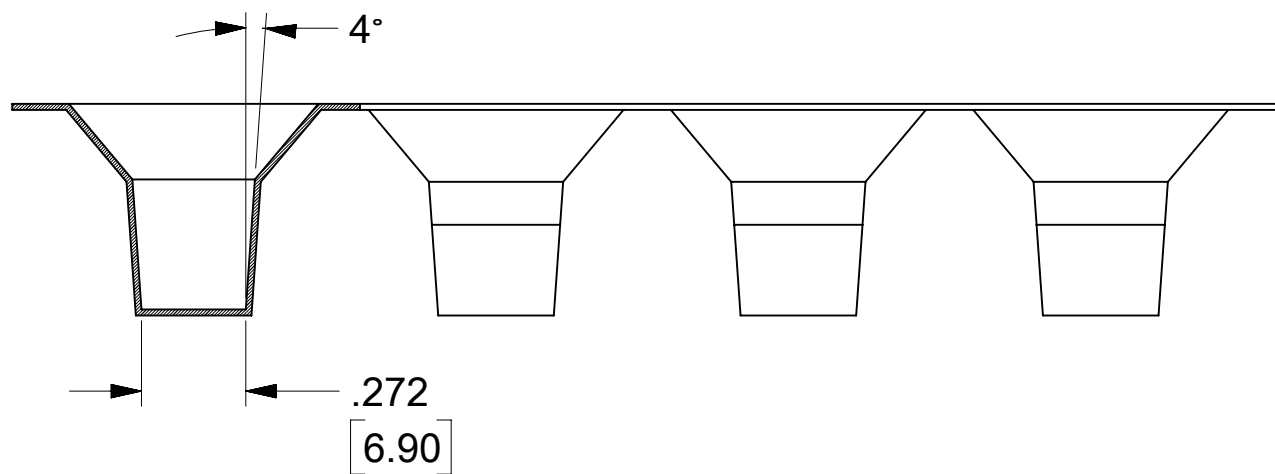
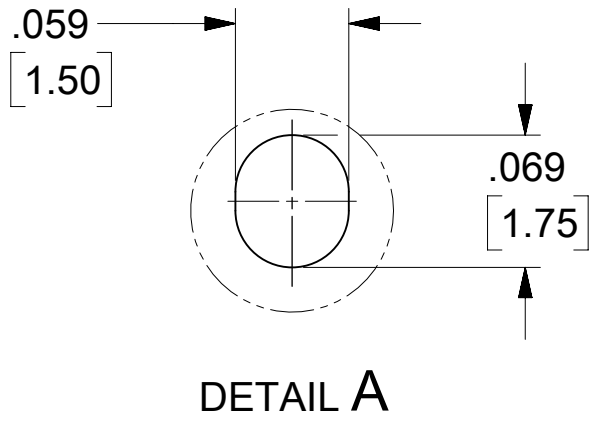
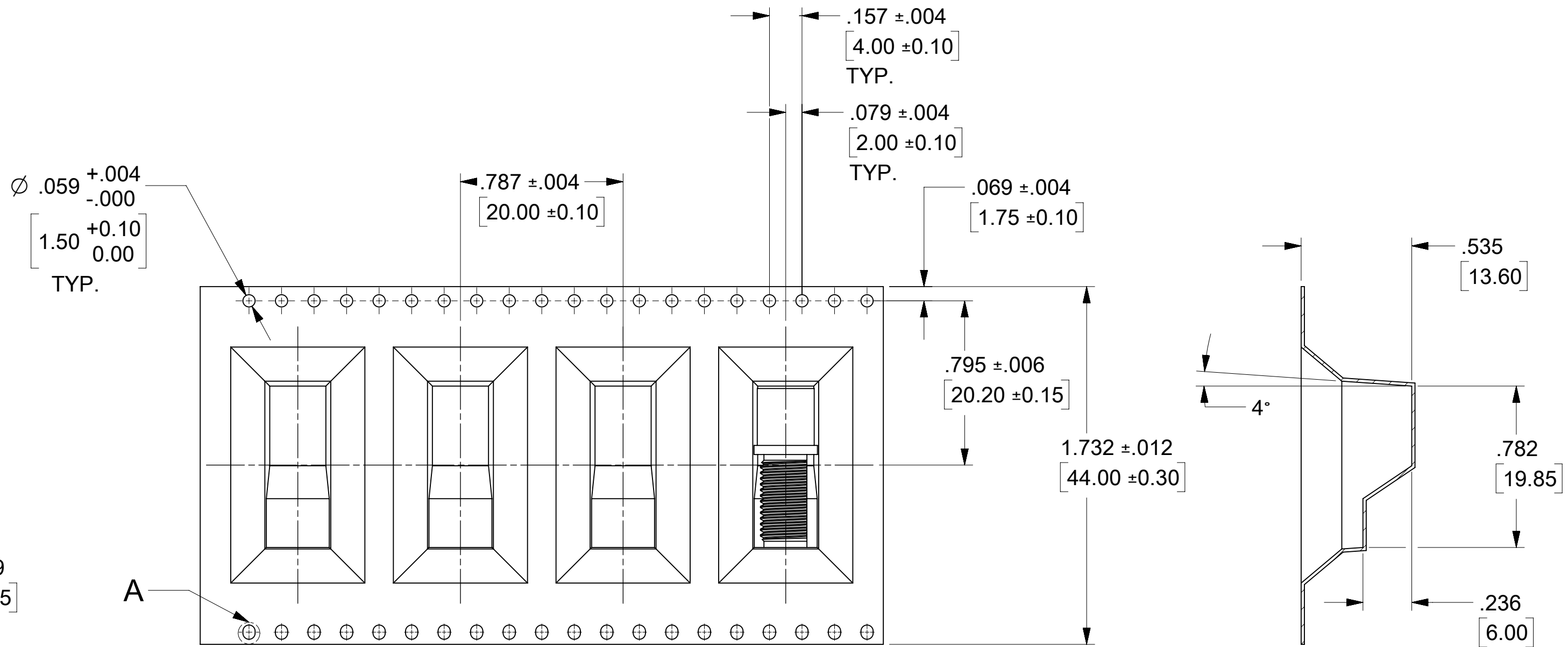
FUNCTIONAL SYMBOLS	THIS DRAWING CONTAINS INFORMATION THAT IS PROPRIETARY TO MOLEX ELECTRONIC TECHNOLOGIES, LLC AND SHOULD NOT BE USED WITHOUT WRITTEN PERMISSION												
	DIMENSION UNITS	SCALE	CURRENT REV DESC: ADD P/N 73251-4967 FOR TR PACKAGING PER EWR14716-C										
$\frac{F}{A} = 0$	INCH/MM	NTS	EWR-14242-J ADDED LABEL FORMAT FOR 73251-4966										
DIVISIONAL SYMBOLS	GENERAL TOLERANCES (UNLESS SPECIFIED)												
	$\frac{F}{C} = 0$	ANGULAR TOL ± °											
DIVISIONAL SYMBOLS	4 PLACES ±		EC NO: 737836										
	3 PLACES ±		DRWN: CWEI02				2023/02/03						
	2 PLACES ±		CHK'D: YCHENG				2023/02/10						
	1 PLACE ±		APPR: YCHENG				2023/02/10						
0 PLACES ±		INITIAL REVISION:											
DRAFT WHERE APPLICABLE MUST REMAIN WITHIN DIMENSIONS		THIRD ANGLE PROJECTION		DRAWING		SERIES		MATERIAL NUMBER		CUSTOMER		SHEET NUMBER	
				C-SIZE		73251		SEE TABLE		GENERAL MARKET		4 OF 6	

DOCUMENT NUMBER				DOC TYPE	DOC PART	REVISION
SD-73251-496				PSD	000	B10

DOCUMENT STATUS	P1	RELEASE DATE	2023/02/10	08:51:15
-----------------	----	--------------	------------	----------



FOR PART NO. 73251-4967 ONLY



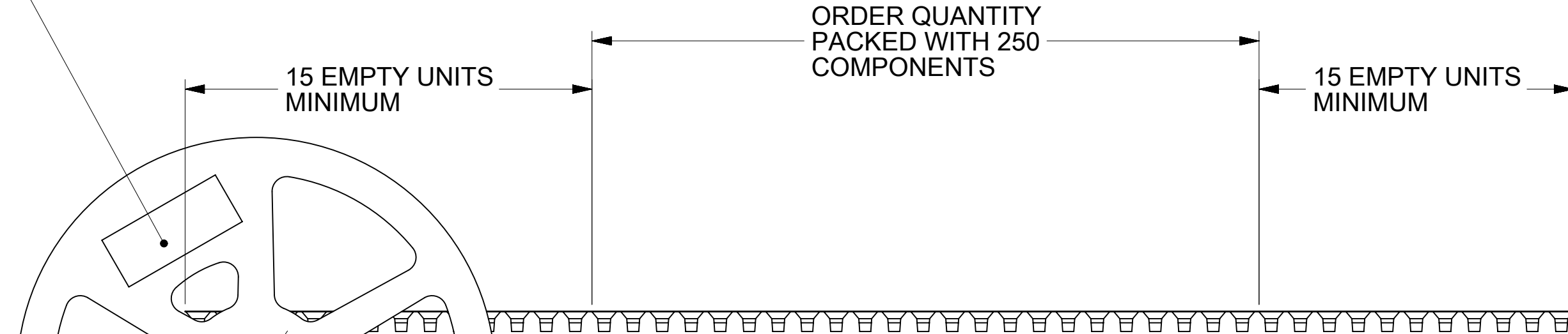
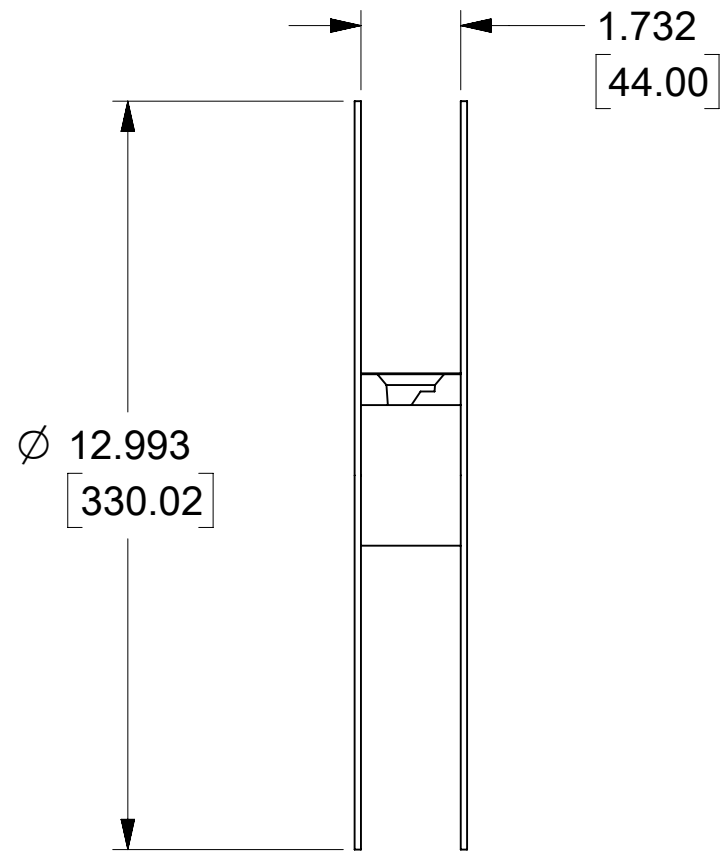
NOTES:

1. MATERIALS: PS BLACK THICKNESS: 0.5 ± 0.05 MM
2. COMPONENT LOAD PER 13" REEL: 250 PCS

FUNCTIONAL SYMBOLS $\frac{F}{A} = 0$ $\frac{F}{C} = 0$ $\frac{F}{P} = 0$ DIVISIONAL SYMBOLS	THIS DRAWING CONTAINS INFORMATION THAT IS PROPRIETARY TO MOLEX ELECTRONIC TECHNOLOGIES, LLC AND SHOULD NOT BE USED WITHOUT WRITTEN PERMISSION		CURRENT REV DESC: ADD P/N 73251-4967 FOR TR PACKAGING PER EWR14716-C					
	DIMENSION UNITS	SCALE	EC NO: 737836					
	INCH/MM	NTS	DRWN: CWEI02 2023/02/03					
	GENERAL TOLERANCES (UNLESS SPECIFIED)		CHK'D: YCHENG 2023/02/10					
ANGULAR TOL ± °		APPR: YCHENG 2023/02/10		PRODUCT CUSTOMER DRAWING				
4 PLACES ±		INITIAL REVISION:		DOCUMENT NUMBER		DOC TYPE	DOC PART	REVISION
3 PLACES ±		DRWN: AROBERTSON 2012/11/21		SD-73251-496		PSD	000	B10
2 PLACES ±		APPR: JWIENER 2012/11/27		MATERIAL NUMBER		CUSTOMER		SHEET NUMBER
1 PLACE ±		DRAFT WHERE APPLICABLE MUST REMAIN WITHIN DIMENSIONS		SEE TABLE		GENERAL MARKET		5 OF 6
0 PLACES ±		THIRD ANGLE PROJECTION	DRAWING	SERIES				
			C-SIZE	73251				

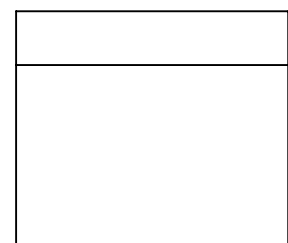
FOR 73251-4967 ONLY

LABEL:
 -ORDER NUMBER
 -QUANTITY
 -PART NUMBER
 -LOT NUMBER

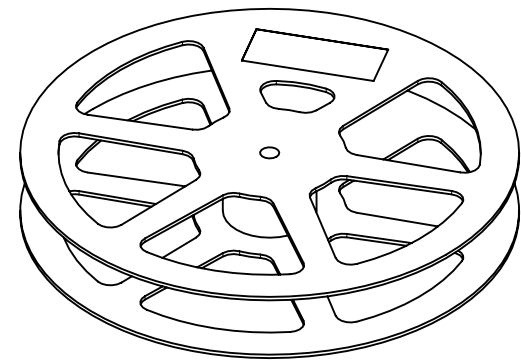


ORDER QUANTITY
 PACKED WITH 250
 COMPONENTS

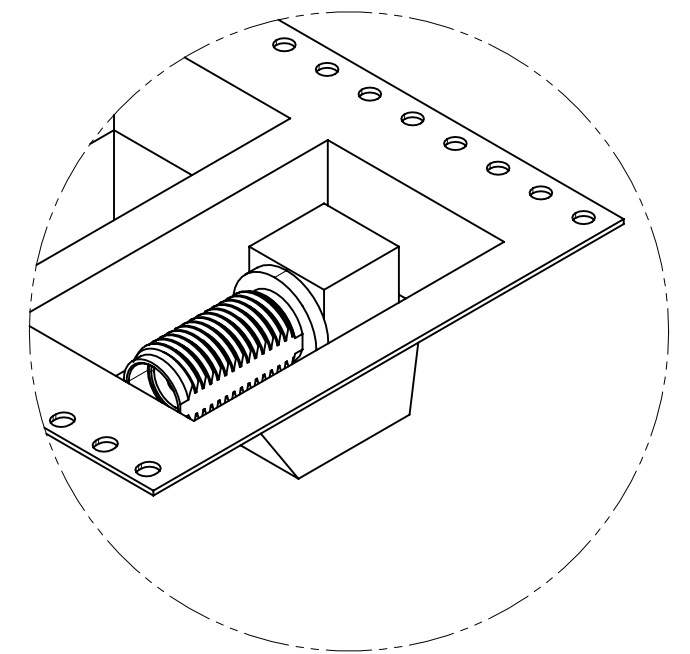
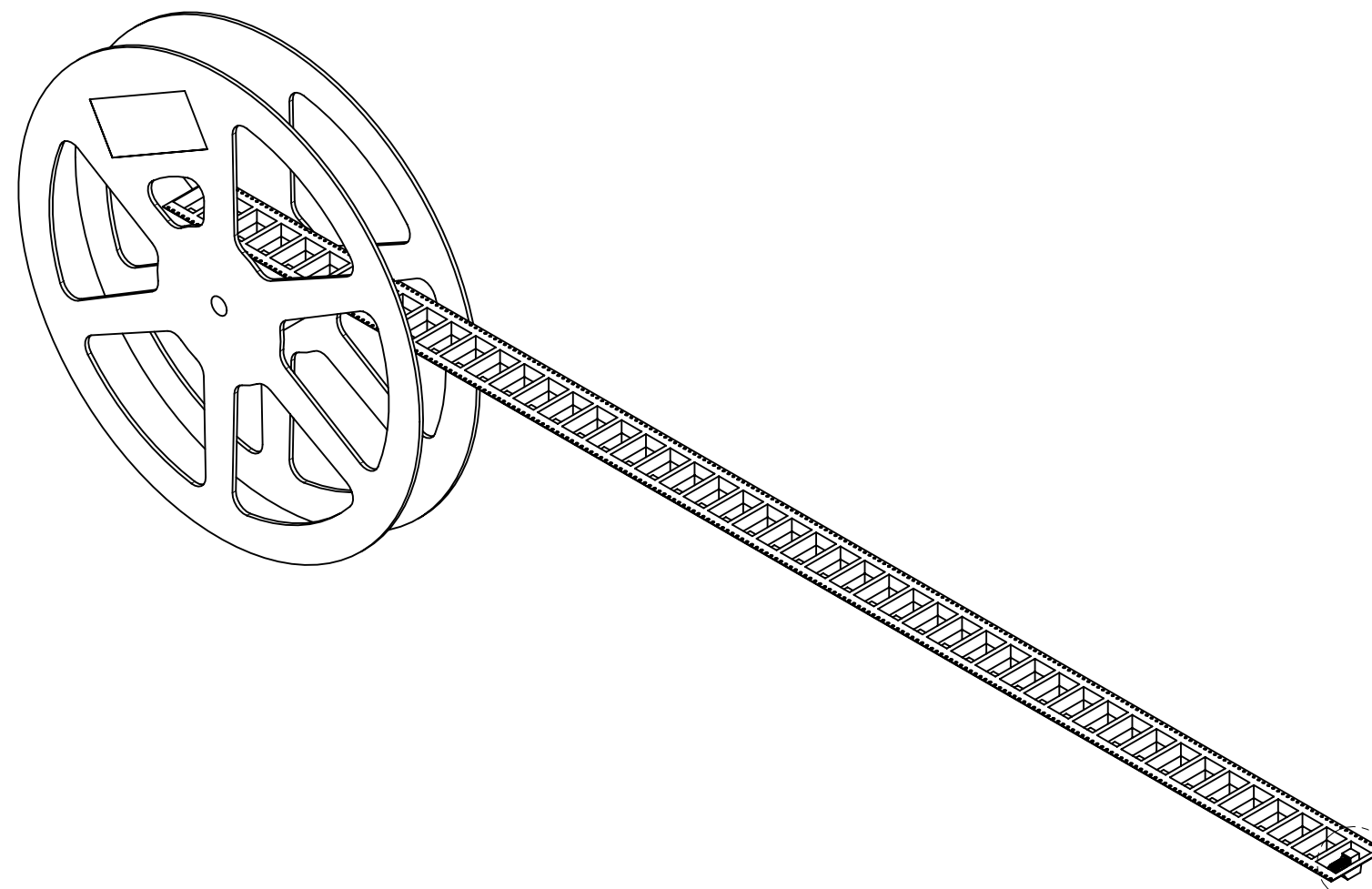
Ø .502 REF
 [12.75]



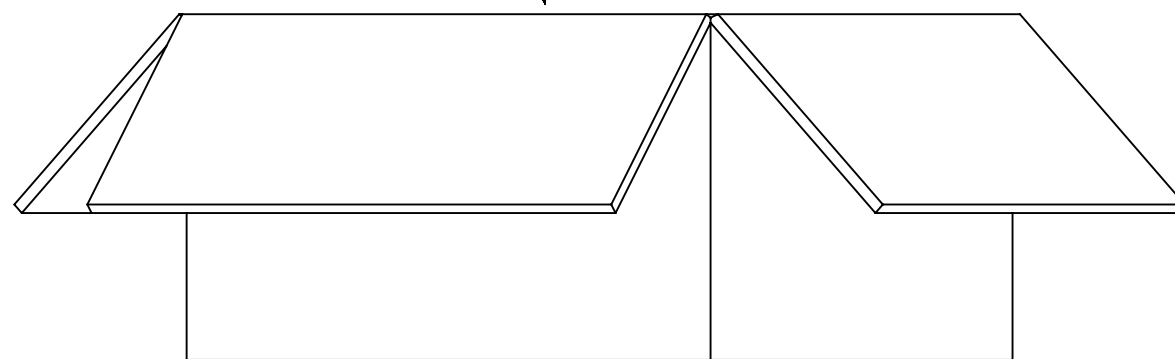
ACCESSORY



REELS X 4 PCS



DETAIL B



1000 SETS PER CARTON BOX
 OUTER DIMENSION: 343 X 343X 220 MM

FUNCTIONAL SYMBOLS	THIS DRAWING CONTAINS INFORMATION THAT IS PROPRIETARY TO MOLEX ELECTRONIC TECHNOLOGIES, LLC AND SHOULD NOT BE USED WITHOUT WRITTEN PERMISSION												
	DIMENSION UNITS	SCALE	CURRENT REV DESC: ADD P/N 73251-4967 FOR TR PACKAGING PER EWR14716-C							molex			
FA = 0	INCH/MM	NTS										SMA JACK RA BLKHD RM PCB TH SMA-J/RA/PCB, EWR-2144	
DIVISIONAL SYMBOLS	GENERAL TOLERANCES (UNLESS SPECIFIED)		EC NO: 737836							2023/02/03			
	ANGULAR TOL ± °		DRWN: CWEI02							2023/02/10			
	4 PLACES	±	CHK'D: YCHENG							2023/02/10			
	3 PLACES	±	APPR: YCHENG							2023/02/10			
	2 PLACES	±	INITIAL REVISION:										
1 PLACE	±	DRWN: AROBERTSON							2012/11/21				
0 PLACES	±	APPR: JWIENER							2012/11/27				
DRAFT WHERE APPLICABLE MUST REMAIN WITHIN DIMENSIONS		THIRD ANGLE PROJECTION		DRAWING	SERIES	MATERIAL NUMBER	CUSTOMER	DOCUMENT NUMBER			DOC TYPE	DOC PART	REVISION
				C-SIZE	73251	SEE TABLE	GENERAL MARKET	SD-73251-496			PSD	000	B10
								SHEET NUMBER			6 OF 6		

DOCUMENT STATUS	P1	RELEASE DATE	2023/02/10	08:51:15
-----------------	----	--------------	------------	----------