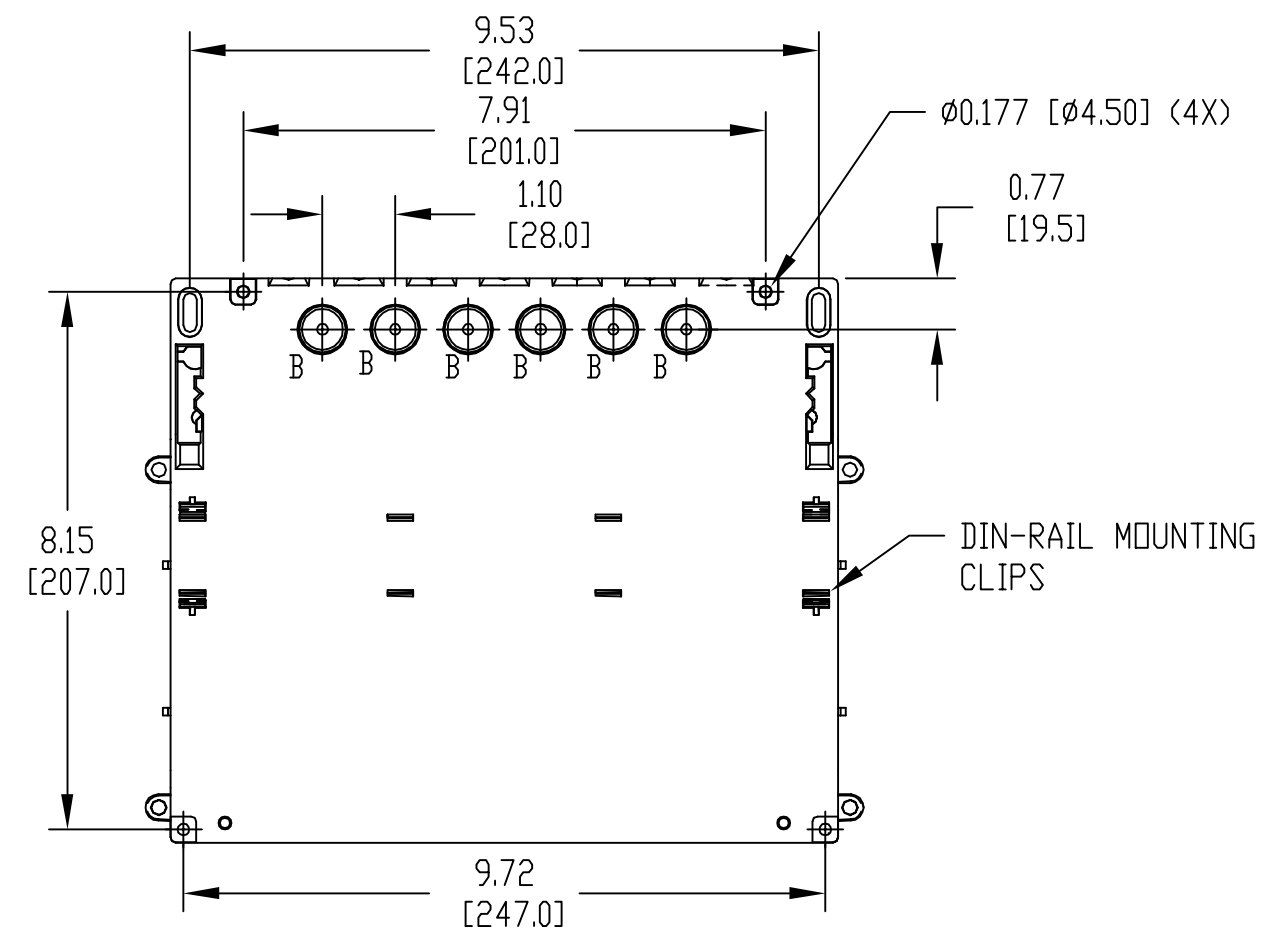
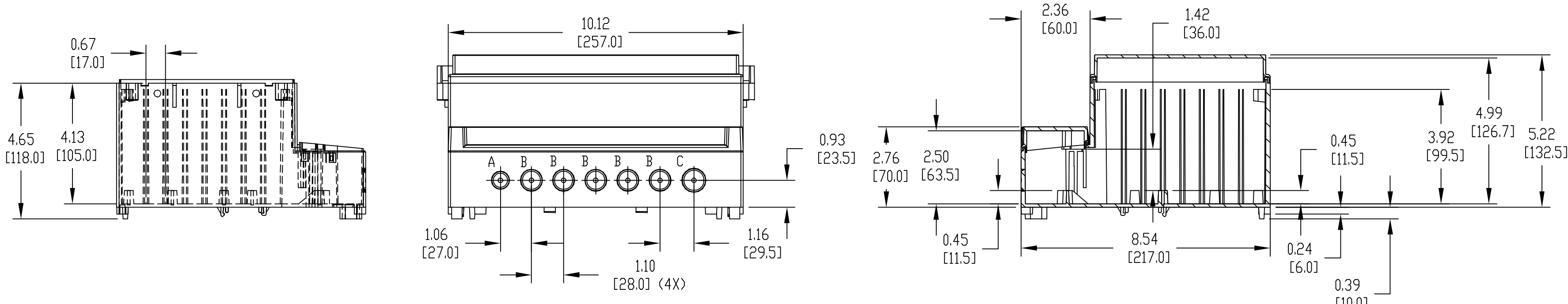


MATERIAL:
 BODY & TERMINAL COMPARTMENT COVER - LIGHT GRAY HIGH IMPACT ABS
 PCB COMPARTMENT COVER - BLUE TINTED POLYCARBONATE (UL 94-HB)
 SILICONE SPONGE GASKET IN BOTH COVERS
 SCREW-ON COVER DESIGNED TO MEET IP-66 RATING



	KNOCKOUT DIMENSION	CABLE GLAND
A	∅0.614 [15.6mm]	PG 9(DR M12)
B	∅0.748 [19.0mm]	PG 11(DR M16)
C	∅0.819 [20.8mm]	PG 13.5(DR M20)

ALL DIMENSIONS HAVE ±0.02 [0.4] TOLERANCE UNLESS OTHERWISE SPECIFIED