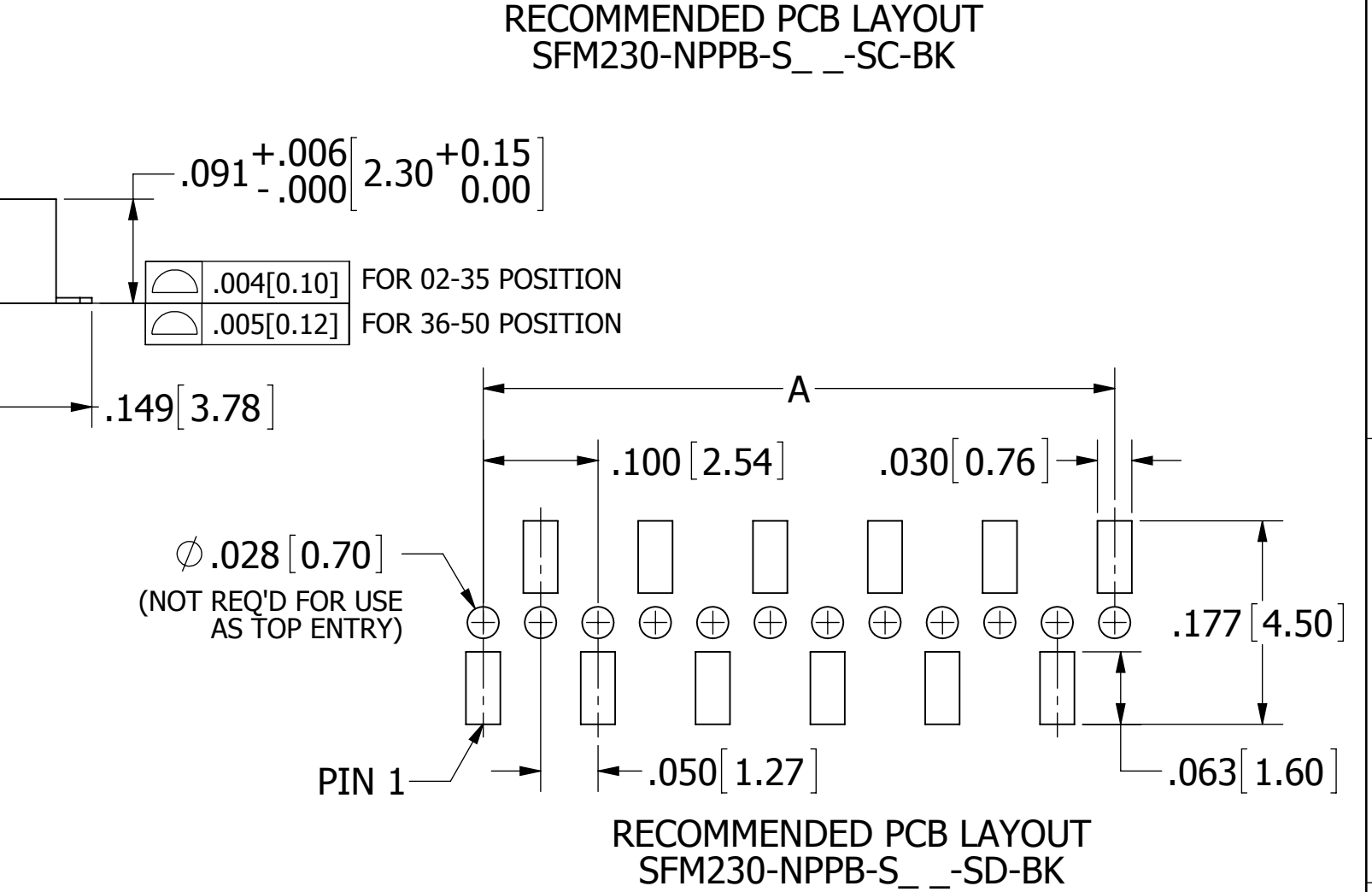
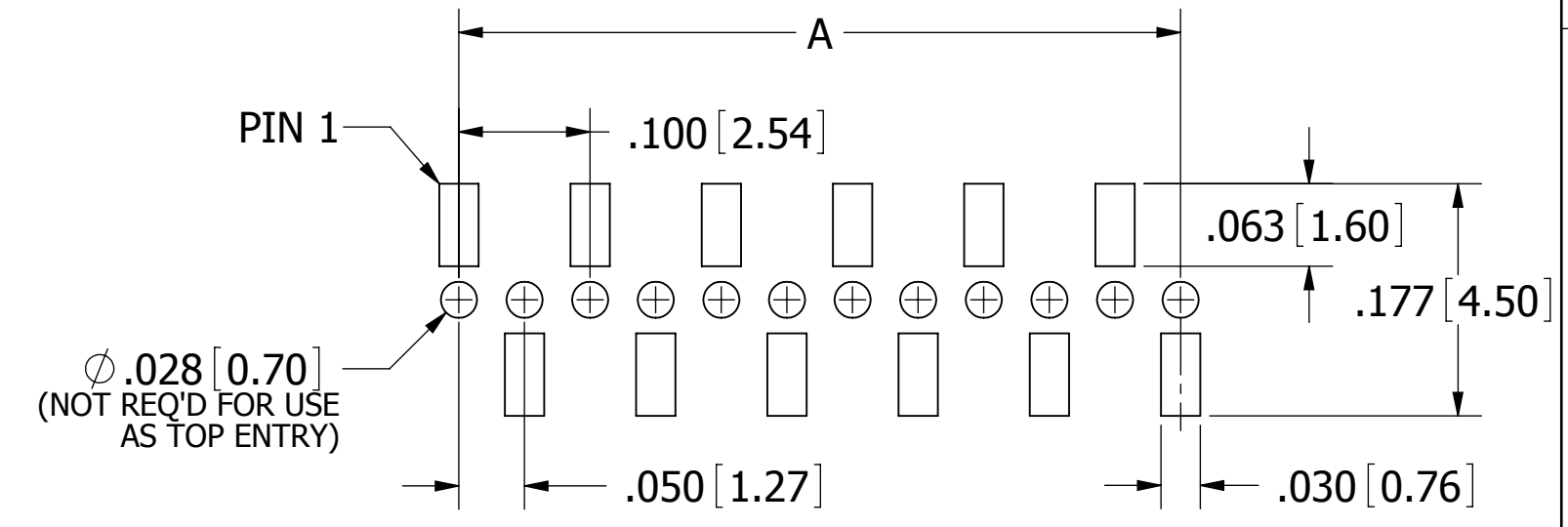
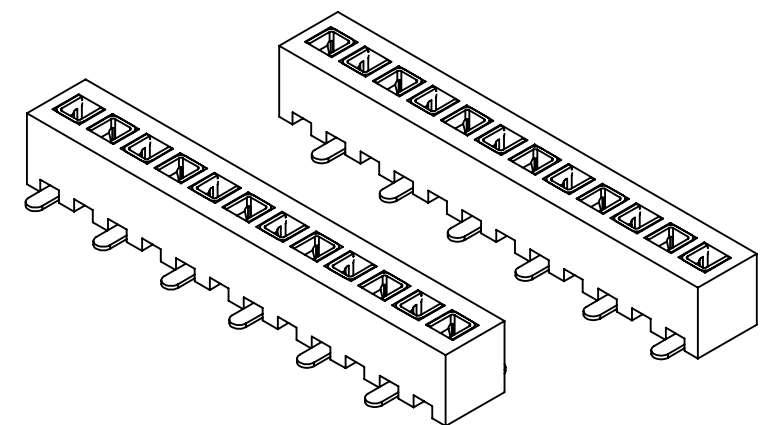
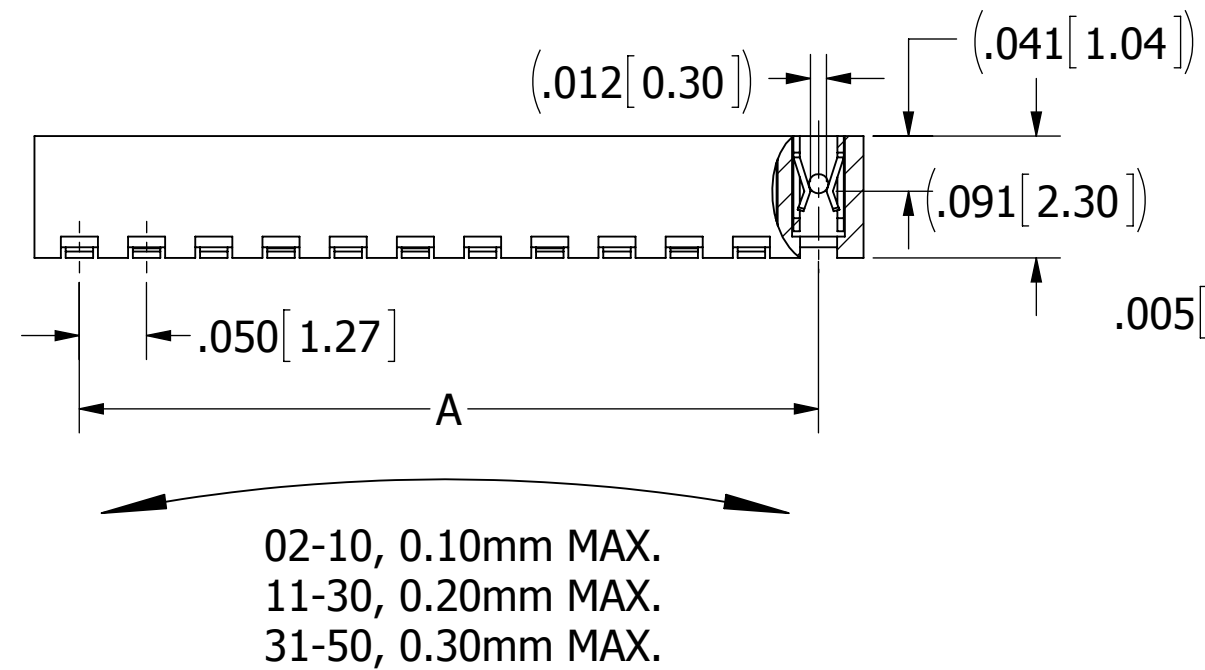
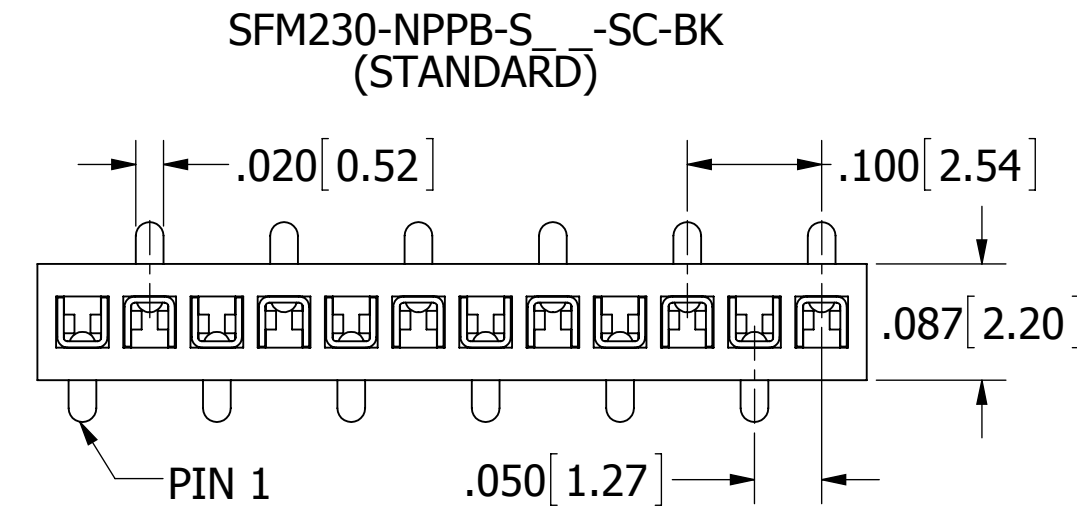
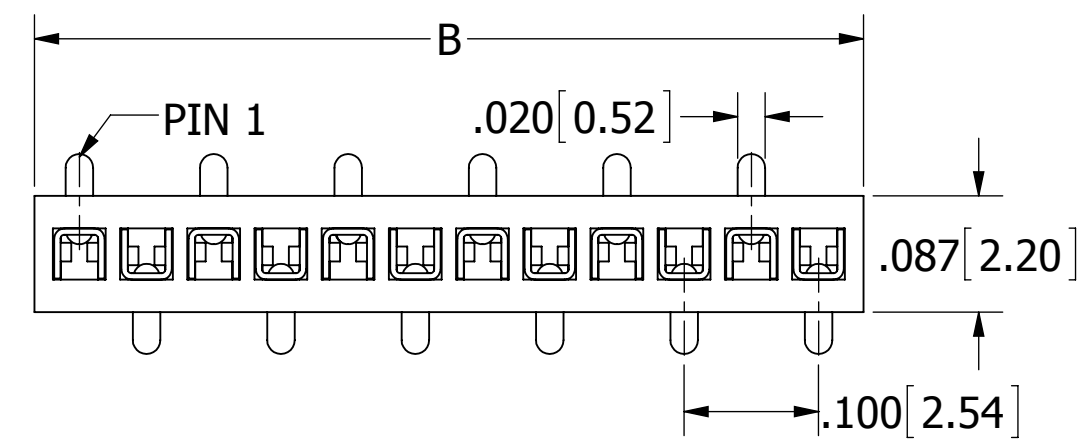


POSITIONS/ CONTACTS	A		B	
	INCH	MM	INCH	MM
02/02	0.050	1.27	0.117	2.97
03/03	0.100	2.54	0.167	4.24
04/04	0.150	3.81	0.217	5.51
05/05	0.200	5.08	0.267	6.78
06/06	0.250	6.35	0.317	8.05
07/07	0.300	7.62	0.367	9.32
08/08	0.350	8.89	0.417	10.59
09/09	0.400	10.16	0.467	11.86
10/10	0.450	11.43	0.517	13.13
11/11	0.500	12.70	0.567	14.40
12/12	0.550	13.97	0.617	15.67
13/13	0.600	15.24	0.667	16.94
14/14	0.650	16.51	0.717	18.21
15/15	0.700	17.78	0.767	19.48
16/16	0.750	19.05	0.817	20.75
17/17	0.800	20.32	0.867	22.02
18/18	0.850	21.59	0.917	23.29
19/19	0.900	22.86	0.967	24.56
20/20	0.950	24.13	1.017	25.83
21/21	1.000	25.40	1.067	27.10
22/22	1.050	26.67	1.117	28.37
23/23	1.100	27.94	1.167	29.64
24/24	1.150	29.21	1.217	30.91
25/25	1.200	30.48	1.267	32.18
26/26	1.250	31.75	1.317	33.45
27/27	1.300	33.02	1.367	34.72
28/28	1.350	34.29	1.417	35.99
29/29	1.400	35.56	1.467	37.26
30/30	1.450	36.83	1.517	38.53
31/31	1.500	38.10	1.567	39.80
32/32	1.550	39.37	1.617	41.07
33/33	1.600	40.64	1.667	42.34
34/34	1.650	41.91	1.717	43.61
35/35	1.700	43.18	1.767	44.88
36/36	1.750	44.45	1.817	46.15
37/37	1.800	45.72	1.867	47.42
38/38	1.850	46.99	1.917	48.69
39/39	1.900	48.26	1.967	49.96
40/40	1.950	49.53	2.017	51.23
41/41	2.000	50.80	2.067	52.50
42/42	2.050	52.07	2.117	53.77
43/43	2.100	53.34	2.167	55.04
44/44	2.150	54.61	2.217	56.31
45/45	2.200	55.88	2.267	57.58
46/46	2.250	57.15	2.317	58.85
47/47	2.300	58.42	2.367	60.12
48/48	2.350	59.69	2.417	61.39
49/49	2.400	60.96	2.467	62.66
50/50	2.450	62.23	2.517	63.93

**PART NUMBER CODING**  
**SFM230-NPPB-S\_-S\_-BK**

**TERMINATION TYPES**  
 C - SURFACE MOUNT, SINGLE ROW  
 PIN 1 (STANDARD)  
 D - SURFACE MOUNT, SINGLE ROW  
 PIN 1 (OPPOSITE BEND)

**NUMBER OF POSITIONS**  
 (CONTACTS PER ROW, 02 THRU 50)



REVISIONS				
REV.	ECO. NO	DESCRIPTION	DATE	BY
A	2399	INITIAL RELEASE	07/19/2011	LH
B	2688	REMOVE DIMPLE BUMP ON TAILS	10/12/2012	LH
C	3024	UPGRADE INSULATOR MATERIAL TO NYLON 9T (WAS NYLON 6T)	08/04/2014	LH
D	3392	ADD DIMPLE TO CONTACT PIN PLATE, ADD WARP TOLERANCE, OVERALL HEIGHT TOLERANCE AND SMT TAIL COPLANAR TOLERANCE	03/01/2016	LH

- NOTES:**
- INSULATOR MATERIAL: NYLON 9T, UL 94 V0, COLOR: BLACK
  - CONTACT MATERIAL: PHOSPHOR BRONZE
  - CONTACT PLATING: .000030" ~ .000050" NICKEL UNDERPLATE, GOLD FLASH OVERALL
  - CURRENT RATING: 1 AMP
  - INSULATOR RESISTANCE: 5000 MEGOHMS MIN
  - CONTACT RESISTANCE: 20 MILLIOHMS MAX
  - DIELECTRIC WITHSTANDING: 500 V AC
  - OPERATING TEMPERATURE: -40°C TO +105°C
  - PROCESSING TEMP.: 230° C MAX. FOR 60 SECONDS (260° C MAX. FOR 10 SECONDS)
  - FOR TOP/BOTTOM ENTRY
  - CONSULT FACTORY FOR THE MATE IF BEING USED AS BOTTOM ENTRY



UNLESS OTHERWISE SPECIFIED: DIMENSIONS ARE IN INCHES [MM]	DRAWN	DATE	NAME	
		07/19/11	GC	
TOLERANCES:	THE INFORMATION HEREIN CONTAINS PROPRIETARY INFORMATION OF SULLINS ELECTRONICS AND IS NOT TO BE REPRODUCED, USED OR DISCLOSED TO OTHERS FOR ANY PURPOSE EXCEPT AS SPECIFICALLY AUTHORIZED IN WRITING BY AN OFFICER OF SULLINS ELECTRONICS.			TITLE
ANGULAR:				HEADER FEMALE, .050 CC, T/B ENTRY
DECIMALS				PART NUMBER
.XX = ± .012 [ .31]				SFM230-NPPB-S_-S_-BK
.XXX = ± .008 [ .20]	SIZE	CAGE CODE	DWG. NO.	REV
.XXXX = ± .0040 [ .100]	C	54453	11812	D
	SCALE: 7:1	SHEET 1 OF 1		