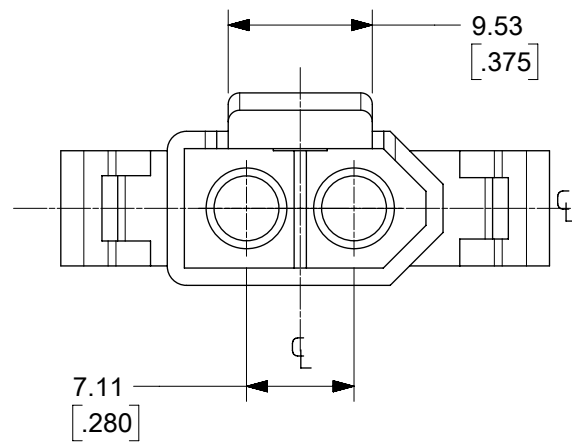
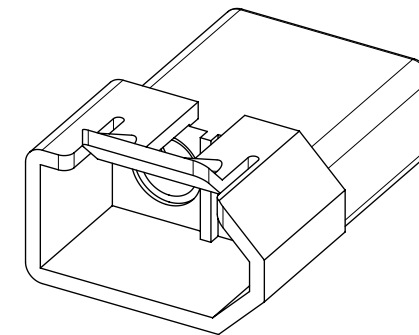
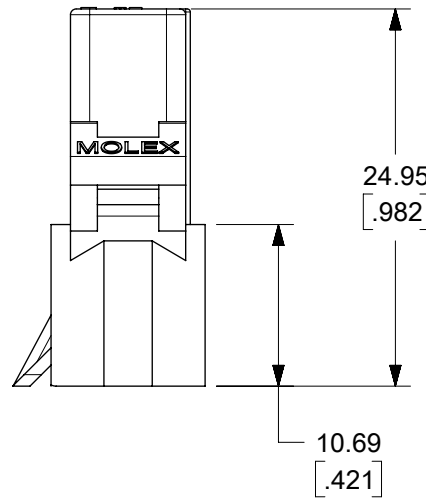
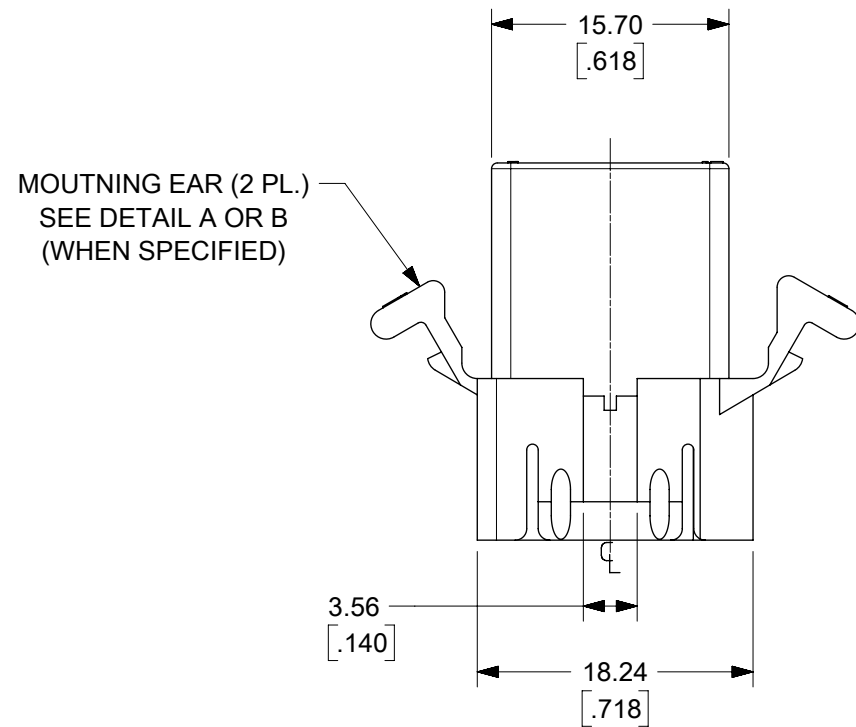
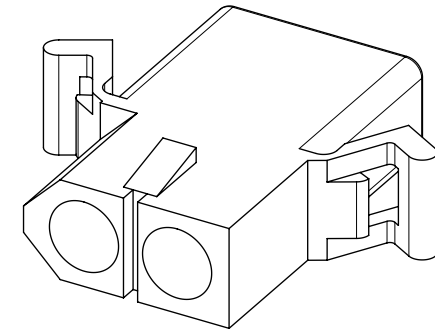
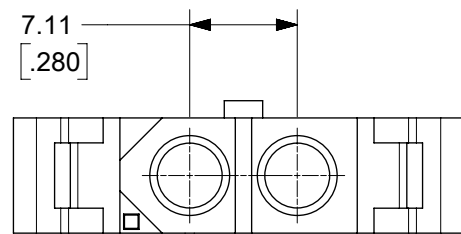
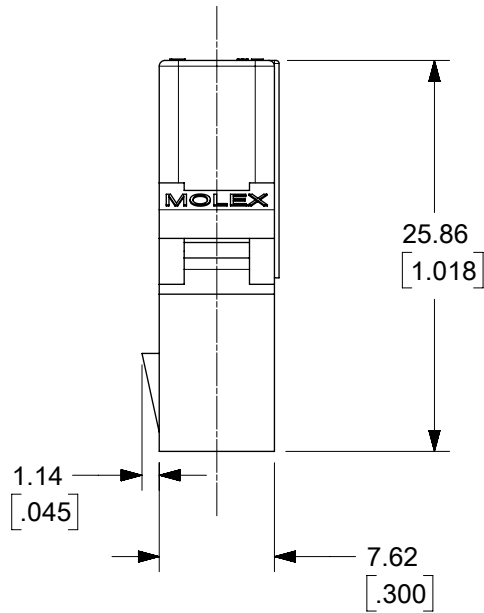
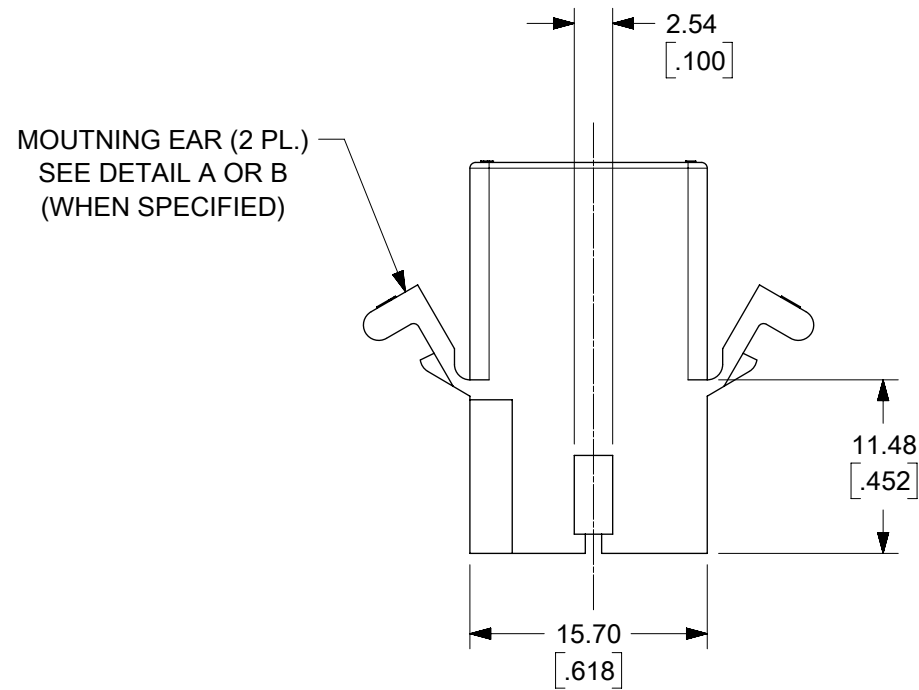
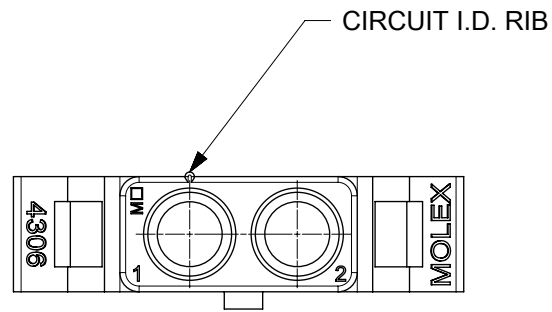


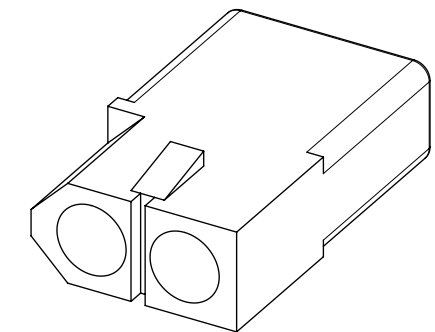
4306-P PLUG HOUSING



| THIS DRAWING CONTAINS INFORMATION THAT IS PROPRIETARY TO MOLEX ELECTRONIC TECHNOLOGIES, LLC AND SHOULD NOT BE USED WITHOUT WRITTEN PERMISSION | | | | | | | | | |
|---|--|---|--|-----------------------------------|---------------------------|---------------------------------------|-------------------------------|------------------------|-------------------------------------|
| QUALITY SYMBOLS ▽ = 0 ▽ = 0 ▽ = 0 ▽ = 0 ▽ = 0 ▽ = 0 ▽ = 0 ▽ = 0 ▽ = 0 | EC NO: 117669 DRWN: MKIPPER CHK'D: MKIPPER APPR: FSMITH | GENERAL TOLERANCES (UNLESS SPECIFIED) | | DIMENSION UNITS MM/INCH | SCALE 2:1 | | | | |
| | | | | DRWN BY BAPPELDORN | DATE 2016/12/07 | | | | |
| | | | | CHK'D BY MKIPPER | DATE 2017/06/02 | PRODUCT CUSTOMER DRAWING | | | |
| | | | | APPR BY FSMITH | DATE 2016/12/09 | | | | |
| | | | | ANGULAR TOL ± | | DRAWING SIZE B | THIRD ANGLE PROJECTION | SERIES 4306 | MATERIAL NUMBER SEE CHART |
| | | DRAFT WHERE APPLICABLE MUST REMAIN WITHIN DIMENSIONS | | | | DOCUMENT NUMBER 43060000-SD | DOC TYPE PSD | DOC PART 000 | SHEET NUMBER 1 OF 3 |



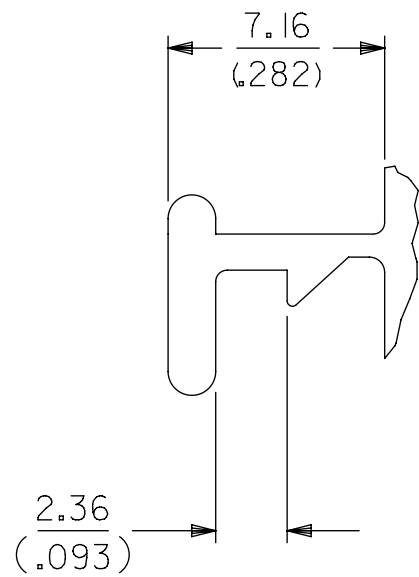
4306-R RECEPTACLE HOUSING



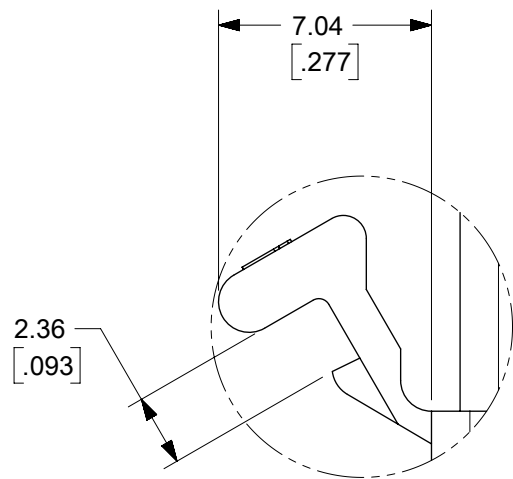
| QUALITY SYMBOLS | | THIS DRAWING CONTAINS INFORMATION THAT IS PROPRIETARY TO MOLEX ELECTRONIC TECHNOLOGIES, LLC AND SHOULD NOT BE USED WITHOUT WRITTEN PERMISSION | | | | | | | | | | | | | |
|--------------------------|---------------|---|--|--------|--|-----------------|--|------------------------|--|---------------------------|--|---------------------------------|--|-----------------------|--|
| $\nabla_A = 0$ | 2016/12/07 | GENERAL TOLERANCES (UNLESS SPECIFIED) | | | | DIMENSION UNITS | | SCALE | | molex [®] | | | | | |
| $\nabla_C = 0$ | 2017/06/01 | MM | | INCH | | MM/INCH | | 2:1 | | | | | | | |
| $\nabla_F = 0$ | 2017/06/05 | 4 PLACES | | ± | | ± | | DRWN BY | | DATE | | .125 2CKT PLUG AND RECEPTACLE | | | |
| $\blacktriangledown = 0$ | EC NO: 117669 | 3 PLACES | | ± | | ± 0.01 | | BAPPELDORN | | 2016/12/07 | | | | | |
| $\nabla = 0$ | DRWN: MKIPPER | 2 PLACES | | ± 0.25 | | ± 0.014 | | CHK'D BY | | DATE | | PRODUCT CUSTOMER DRAWING | | | |
| $\nabla_C = 0$ | CHKD: MKIPPER | 1 PLACES | | ± 0.36 | | ± | | MKIPPER | | 2017/06/02 | | | | | |
| $\boxtimes = 0$ | APPR: FSMITH | 0 PLACES | | ± | | ± | | APPR BY | | DATE | | SERIES MATERIAL NUMBER CUSTOMER | | | |
| $\blacksquare = 0$ | REV | ANGULAR TOL ± | | | | DRAWING SIZE | | THIRD ANGLE PROJECTION | | 4306 | | | | | |
| $\nabla = 0$ | A | DRAFT WHERE APPLICABLE MUST REMAIN WITHIN DIMENSIONS | | | | B | | | | DOCUMENT NUMBER | | DOC TYPE | | DOC PART SHEET NUMBER | |
| | | | | | | | | | | 43060000-SD | | PSD | | 000 2 OF 3 | |

| PLUG | | |
|------------|----------|------------------------------------|
| PART NO. | ENG. NO. | DESCRIPTION |
| 03-12-2021 | 4306-P | PLUG WITH STANDARD EARS (DETAIL A) |
| 03-12-2022 | 4306-P1 | PLUG W/O EARS |

| RECEPTACLE | | |
|------------|----------|--------------------------------------|
| PART NO. | ENG. NO. | DESCRIPTION |
| 03-12-1022 | 4306-R1 | RECEPTACLE W/O EARS |
| 03-12-1023 | 4306-RB | RECEPTACLE W/PREBENT EARS (DETAIL B) |

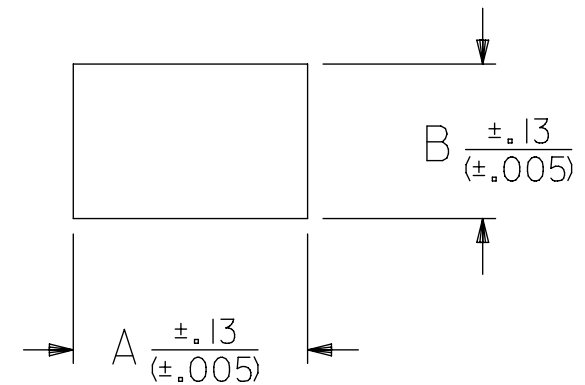


DETAIL A
SCALE 4:1
STANDARD MOUNTING EAR



DETAIL B
SCALE 4:1
PREBENT MOUNTING EAR

| MOUNTING PANEL OPENING | | |
|------------------------|------------|------------|
| HOUSING | DIM. "A" | DIM. "B" |
| PLUG | 22.30/.878 | 10.97/.432 |
| RECEPTACLE | 19.76/.778 | 9.53/.375 |



NOTES:

1. MATERIAL: NYLON 6/6, UL94V-2, COLOR: NATURAL
2. FINISH: N/A
3. PRODUCT SPECIFICATION: PS-02-09
4. PACKAGING SPECIFICATION: PK-4306-001
5. FOR USE WITH 3.28/.125 DIA. TERMINALS.
6. MAXIMUM PANEL THICKNESS 2.29/.090
7. PARTS CONFORM TO CLASS B REQUIREMENTS OF COSMETIC SPECIFICATION PS-45499-002.
8. THIS DRAWING REPLACES SD-4306-*

| | | | | | | | | | | | |
|--|---|--|---------------------------------------|--------------|------------------------|-----------------|--------------------------|-----------------|----------------|--|------------|
| QUALITY SYMBOLS ▽ = 0 ▽ = 0 ▽ = 0 ▽ = 0 ▽ = 0 ▽ = 0 ▽ = 0 ▽ = 0 ▽ = 0 | THIS DRAWING CONTAINS INFORMATION THAT IS PROPRIETARY TO MOLEX ELECTRONIC TECHNOLOGIES, LLC AND SHOULD NOT BE USED WITHOUT WRITTEN PERMISSION | | | | | | | | | | |
| | EC NO: 117869 DRWN: MKIPPER CHKD: MKIPPER APPR: FSMITH | 2016/12/07 2017/06/01 2017/06/05 | GENERAL TOLERANCES (UNLESS SPECIFIED) | | DIMENSION UNITS | SCALE | | | | | |
| | | | | MM | INCH | MM/INCH | | | | | 1:1 |
| | | | 4 PLACES | ± | ± | BAPPELDORN | | | | | 2016/12/07 |
| 3 PLACES | ± | ± 0.01 | CHK'D BY | DATE | | | | | | | |
| | | 2 PLACES | ± 0.25 | ± 0.014 | MKIPPER | 2017/06/02 | PRODUCT CUSTOMER DRAWING | | | | |
| | | 1 PLACES | ± 0.36 | ± | APP'R BY | DATE | SERIES | MATERIAL NUMBER | CUSTOMER | | |
| | | 0 PLACES | ± | ± | FSMITH | 2016/12/09 | 4306 | SEE CHART | GENERAL MARKET | | |
| | | ANGULAR TOL ± | | DRAWING SIZE | THIRD ANGLE PROJECTION | DOCUMENT NUMBER | | | | | |
| | | DRAFT WHERE APPLICABLE MUST REMAIN WITHIN DIMENSIONS | | B | | 43060000-SD | DOC TYPE | DOC PART | SHEET NUMBER | | |
| | | | | | | PSD | 000 | 3 OF 3 | | | |