

4

3

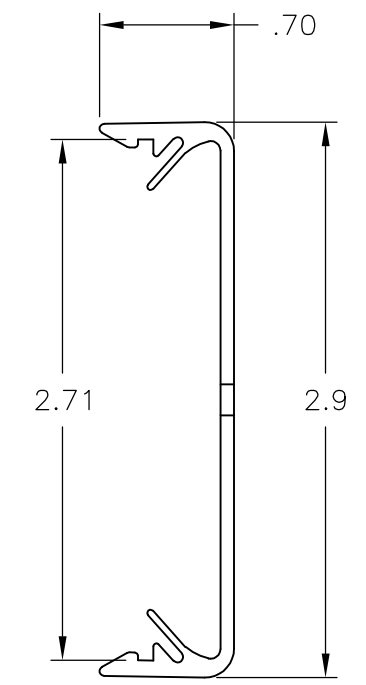
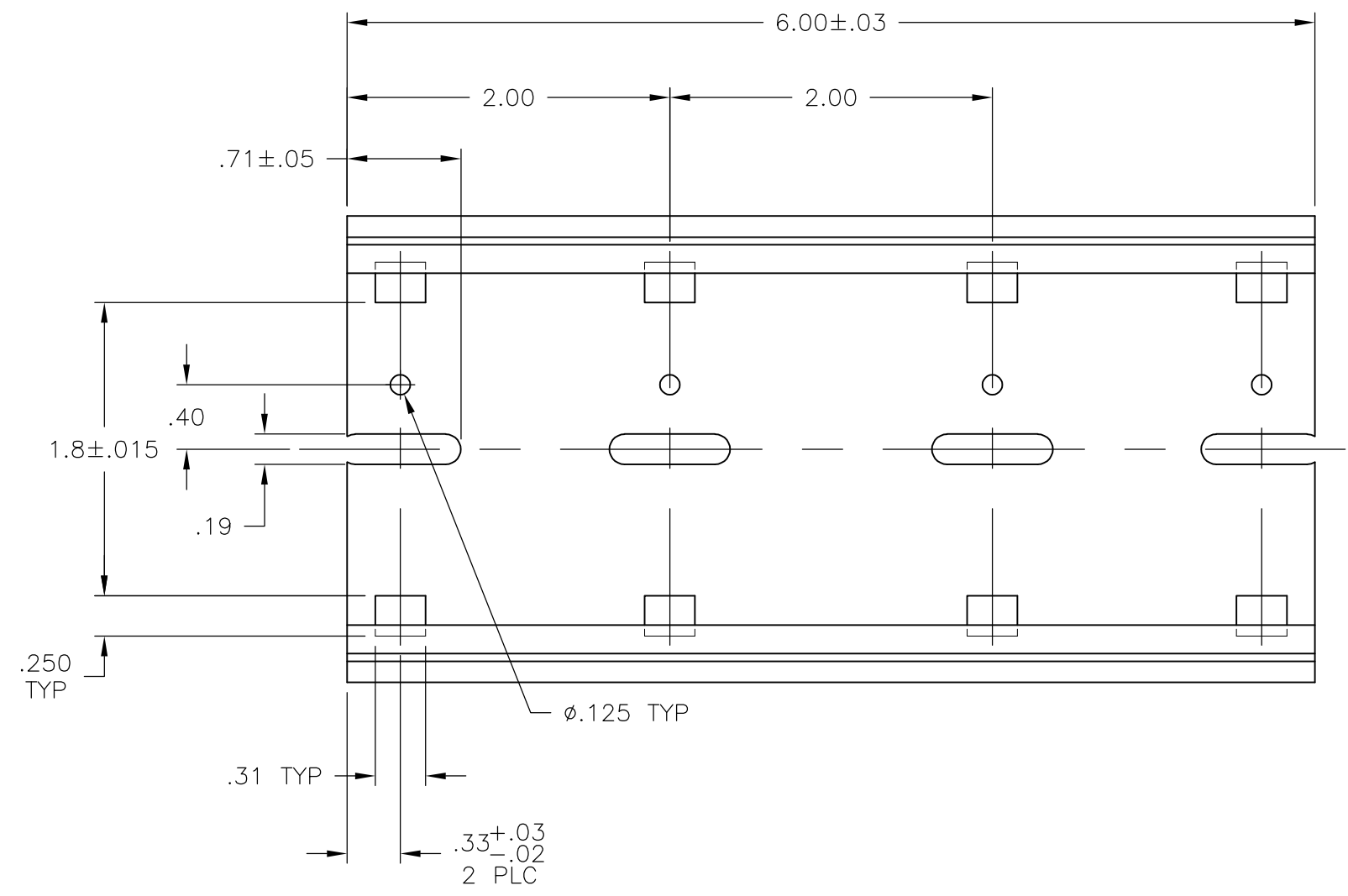
2

1

THIS DRAWING IS UNPUBLISHED. RELEASED FOR PUBLICATION
 © COPYRIGHT - By - ALL RIGHTS RESERVED.

LOC	DIST	REVISIONS			
P	LTR	DESCRIPTION	DATE	DWN	APVD
FT	0	C	REVISED PER ECO-13-010157	19JUN13	KH MB

- 1 MATERIAL: RIGID PVC, COLOR GRAY.
- 2 RECOMMENDED PCB WIDTH 2.75"



2TK2D-6	2-1437685-0
CATALOG NUMBER	PART NUMBER

THIS DRAWING IS A CONTROLLED DOCUMENT.		DWN	S SCHLEGEL	22NOV2006	TE Connectivity NAME 2TK2D-6 SNAPTRACK -				
DIMENSIONS: INCHES		CHK	S YODER	11/22/06					
		APVD	S YODER	11/22/06					
		PRODUCT SPEC		NAME					
TOLERANCES UNLESS OTHERWISE SPECIFIED:		APPLICATION SPEC		SIZE	CAGE CODE	DRAWING NO	RESTRICTED TO		
0 PLC ± - 1 PLC ± .1 2 PLC ± .02 3 PLC ± .010 4 PLC ± - ANGLES ± 1°		WEIGHT		A3 00779		C-2-1437685-0	-		
MATERIAL		FINISH		CUSTOMER DRAWING			SCALE	SHEET	REV
1		-		NTS			1 OF 1	C	