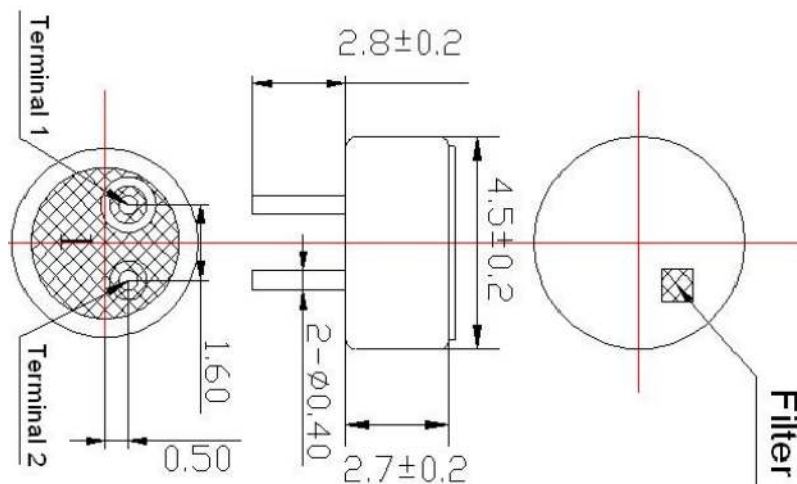
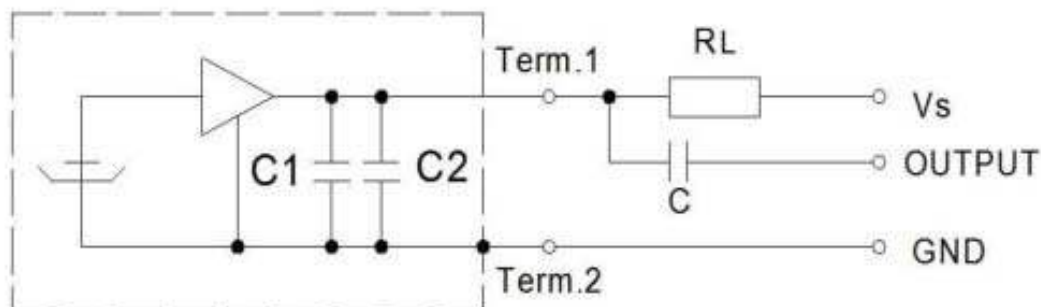


**May not be suitable for all Medical and Aerospace applications.
Contact Mallory Sonalert to discuss your application.**

Sensitivity Range	-47 ± 3 dB $R_L = 2.2$ k Ω $V_{CC} = 2.0$ v (1 kHz 0 dB = 1 v/Pa)
Impedance	Max. 2.2k Ω 1 kHz
Frequency	20 - 16000 Hz
Current Consumption	Max 0.5 mA
Operating Voltage Range	1.0 – 10 V
Max SPL (dB)	110 dB
S/N Ratio	More than 60 dB
Sensitivity Reduction	2.0 –1.5V Variation less than 3 dB
Storage Condition	-40 ~ +80°C; R.H. < 70%
Operating Condition	-20 ~ +70°C; R.H. < 70%
Weight (g)	0.6
Options	For other options contact factory

Dimensions: (units: mm)**ROHS Compliant****Schematic Diagram:**

V_s : Source Voltage 2.0V R_L : Load Resistance 2.2K Ω $C_1=10$ pF $C_2=33$ pF

**Packaging:** Bulk pack in quantities of 100pcs.