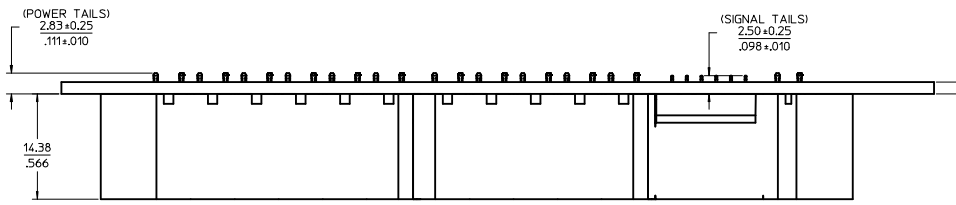
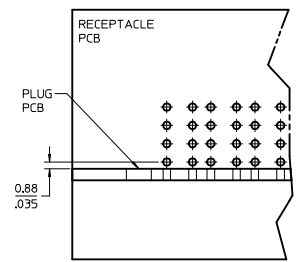
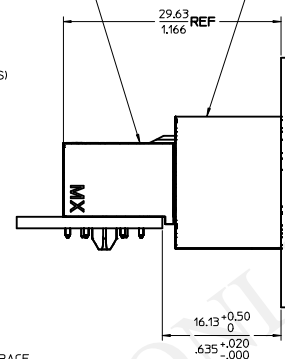


3D MODEL NO.: TM-171088-0022

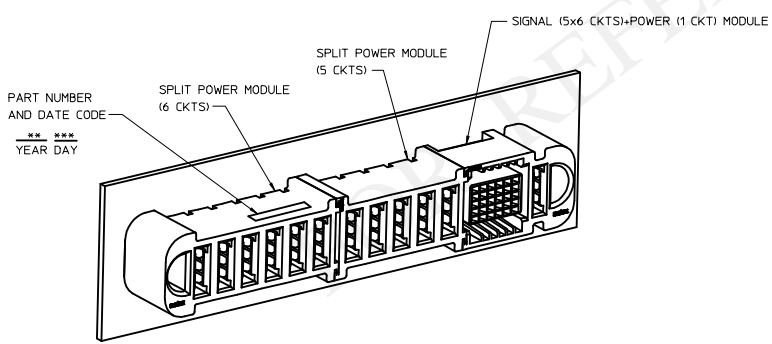
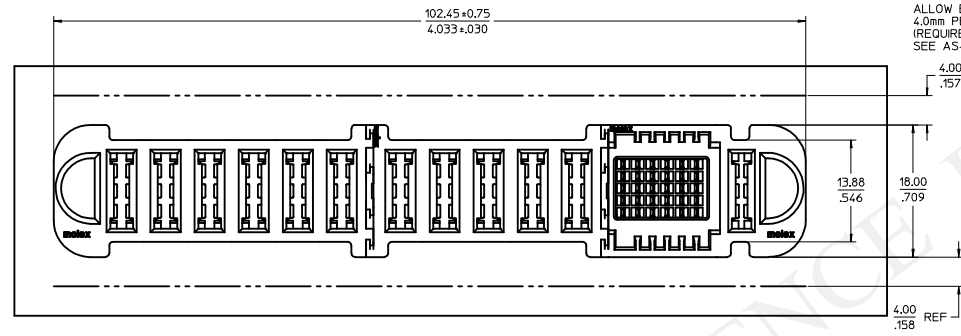


PLUG ASSY
P/N:171088-0022

VERT.RECEPTACLE ASSY
P/N:171089-0022

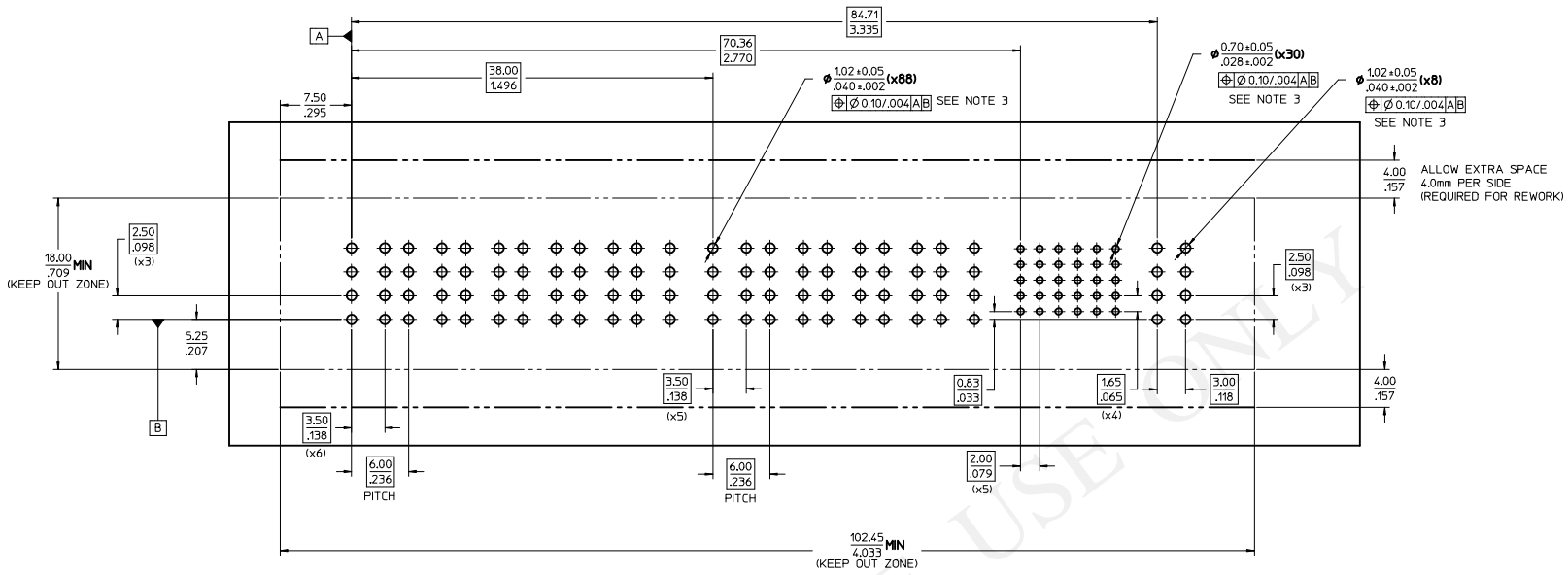


PARTIAL1



- NOTES:
- MATERIAL:
-HOUSINGS: LCP UL94, V-0, COLOR: BLACK.
-TERMINALS: COPPER ALLOY.
-PLATING: 1.27 MICROMETER (50 MICRON) NICKEL OVERALL WITH 2.54 MICROMETER (100 MICRON) SELECTIVE TIN ON TAILS AND 0.762 MICROMETER (30 MICRON) SELECTIVE GOLD ON CONTACT AREA
 - PACKAGING: ASSEMBLIES TO BE TRAY PACKED PER PACKAGING SPEC PK-171089-0001
 - PLATED THRU HOLE SIZE REFERS TO PS-171088-0000 FOR DETAILS
 - PRODUCT SPEC: PS-171088-0000
 - APPLICATION SPEC: AS-46436-100
 - SEE PRODUCT SPEC FOR RoHS REQUIREMENTS
 - ASSEMBLY MATES TO MOLEX PLUG ASSEMBLY P/N 171088-0022
 - TAIL DESIGN: COMPLIANT PIN
 - POWER AND SIGNAL CONTACTS ARE LUBRICATED.

REVISE NOTE IEC NO. UCF2016-1405 DRAWN: JUILLES 2015/09/30 CHECKED: LIN 2015/09/30 APPR: JUILLES 2015/09/30 REV DESCRIPTION	QUALITY SYMBOLS ▽=0 ▽=0 ▽=0		GENERAL TOLERANCES (UNLESS SPECIFIED) <table border="1"> <tr> <th></th> <th>mm</th> <th>INCH</th> </tr> <tr> <td>4 PLACES</td> <td>±.005</td> <td>±.0005</td> </tr> <tr> <td>3 PLACES</td> <td>±.008</td> <td>±.0008</td> </tr> <tr> <td>2 PLACES</td> <td>±0.13</td> <td>±.005</td> </tr> <tr> <td>1 PLACE</td> <td>±0.25</td> <td>±.010</td> </tr> <tr> <td>0 PLACE</td> <td>±.005</td> <td>±.0005</td> </tr> </table>			mm	INCH	4 PLACES	±.005	±.0005	3 PLACES	±.008	±.0008	2 PLACES	±0.13	±.005	1 PLACE	±0.25	±.010	0 PLACE	±.005	±.0005	DIMENSION STYLE MM/IN		SCALE 3:1		DESIGN UNITS METRIC		THIRD ANGLE PROJECTION	
		mm	INCH																											
	4 PLACES	±.005	±.0005																											
	3 PLACES	±.008	±.0008																											
2 PLACES	±0.13	±.005																												
1 PLACE	±0.25	±.010																												
0 PLACE	±.005	±.0005																												
DRAWN BY DATE VLIN 2012/09/12			CHECKED BY DATE			TEN60 SPLIT POWER VERT ASSY																								
APPROVED BY DATE VLIN 2012/10/10			MATERIAL NO. 171089-0022			DOCUMENT NO. SD-171089-0022			SHEET NO. 1 OF 3																					
DRAFT WHERE APPLICABLE MUST REMAIN WITHIN DIMENSIONS																														



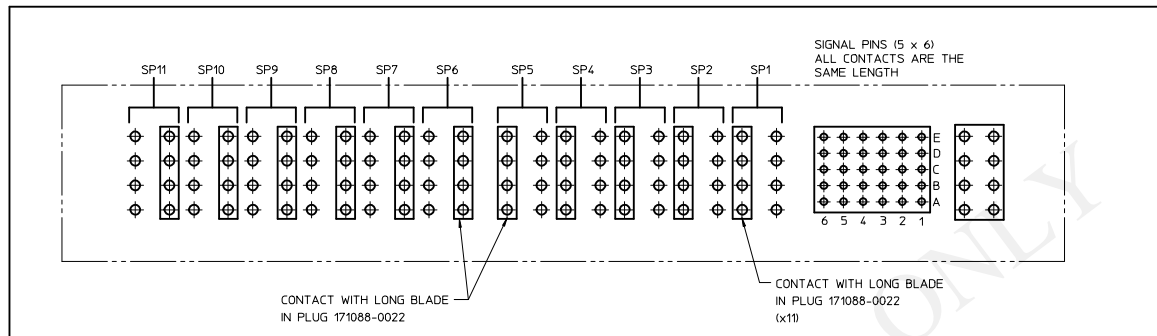
RECOMMENDED PCB LAYOUT AND KEEP OUT ZONE
(SEE SHEET 3 FOR PIN ASSIGNMENT)

FOR REFERENCE USE ONLY

SEE SHEET 1 IEC NO. UCP2016-1405 2015/09/30 DRAWN: JUILLES 2015/09/30 CHKD: LIN 2015/09/30 APPR: JUILLES 2015/09/30	QUALITY SYMBOLS	GENERAL TOLERANCES (UNLESS SPECIFIED)	DIMENSION STYLE	SCALE	DESIGN UNITS	THIRD ANGLE PROJECTION
	▽=0	4 PLACES ± mm INCH	MM/IN	4:1	METRIC	☉
	▽=0	3 PLACES ± 0.13				
	▽=0	2 PLACES ± 0.25				
	ANGULAR ±1/2°	DRAFT WHERE APPLICABLE MUST REMAIN WITHIN DIMENSIONS	MATERIAL NO.	DATE	TITLE	
			171089-0022	2012/09/12	TEN60 SPLIT POWER VERT ASSY G-1P-30S-5SP-6SP-G	
			SD-171089-0022	2012/10/10	molex	
			DOCUMENT NO.			SHEET NO.
						2 OF 3

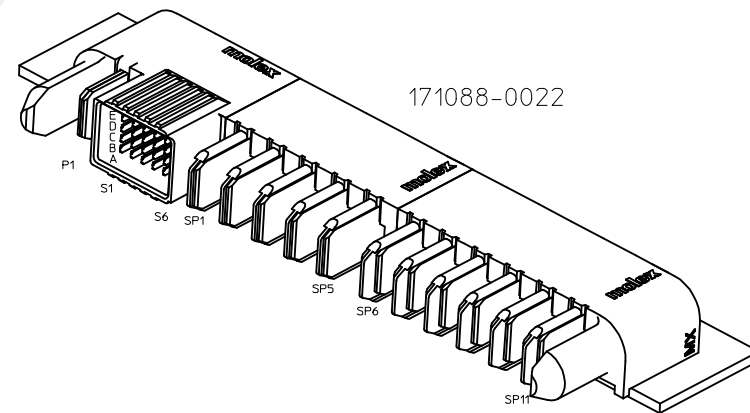
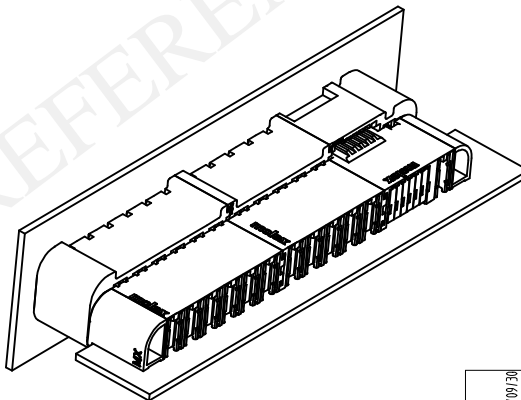
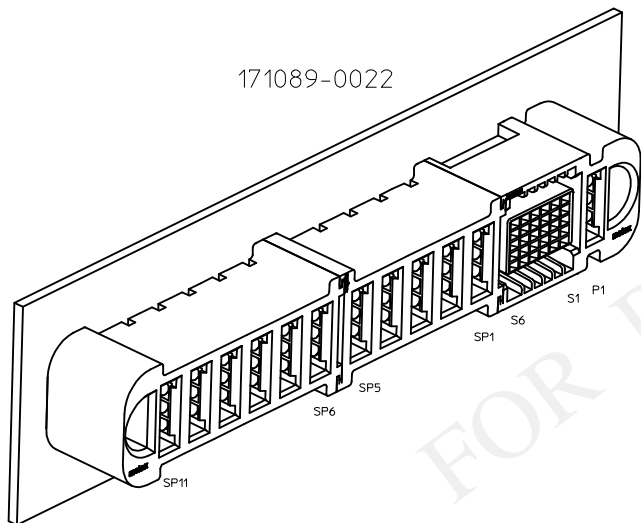
TEN60
SPLIT POWER
(SP)

STANDARD
TEN60
POWER
(P)



PCB PIN ASSIGNMENT

PLEASE ALSO REFER TO PLUG DRAWING
P/N: 171088-0022



<p>SEE SHEET 1 EC NO. UCP2016-1405 DRAWN: JUILLES 2015/09/30 CHKD: VILIN 2015/09/30 APPR: JUILLES 2015/09/30</p>	QUALITY SYMBOLS	GENERAL TOLERANCES (UNLESS SPECIFIED)	DIMENSION STYLE	SCALE	DESIGN UNITS	THIRD ANGLE PROJECTION
	▽=0	mm INCH	MM/IN	4:1	METRIC	☉
	▽=0	4 PLACES ± --- ± ---	DRAWN BY DATE	TITLE		
	▽=0	3 PLACES ± 0.13 ± ---	VL IN 2012/09/12	TEN60 SPLIT POWER VERT ASSY G-1P-30S-5SP-6SP-G		
▽=0	2 PLACES ± 0.25 ± ---	1 PLACE ± --- ± ---	CHECKED BY DATE	APPROVED BY DATE		
▽=0	1 PLACE ± --- ± ---	0 PLACE ± --- ± ---	APPROVED BY DATE	MATERIAL NO. 171089-0022		
	ANGULAR ±1/2°	DRAFT WHERE APPLICABLE MUST REMAIN WITHIN DIMENSIONS	SIZE D	DOCUMENT NO. SD-171089-0022		
			THIS DRAWING CONTAINS INFORMATION THAT IS PROPRIETARY TO MOLEX INCORPORATED AND SHOULD NOT BE USED WITHOUT WRITTEN PERMISSION			SHEET NO. 3 OF 3