



PART NAME

PLASTIC INTERNAL PANEL

PART No.

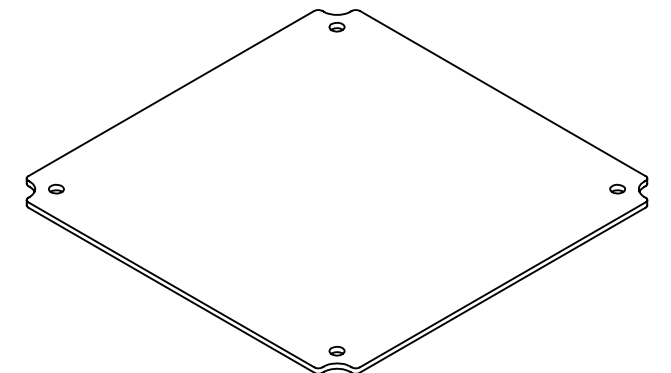
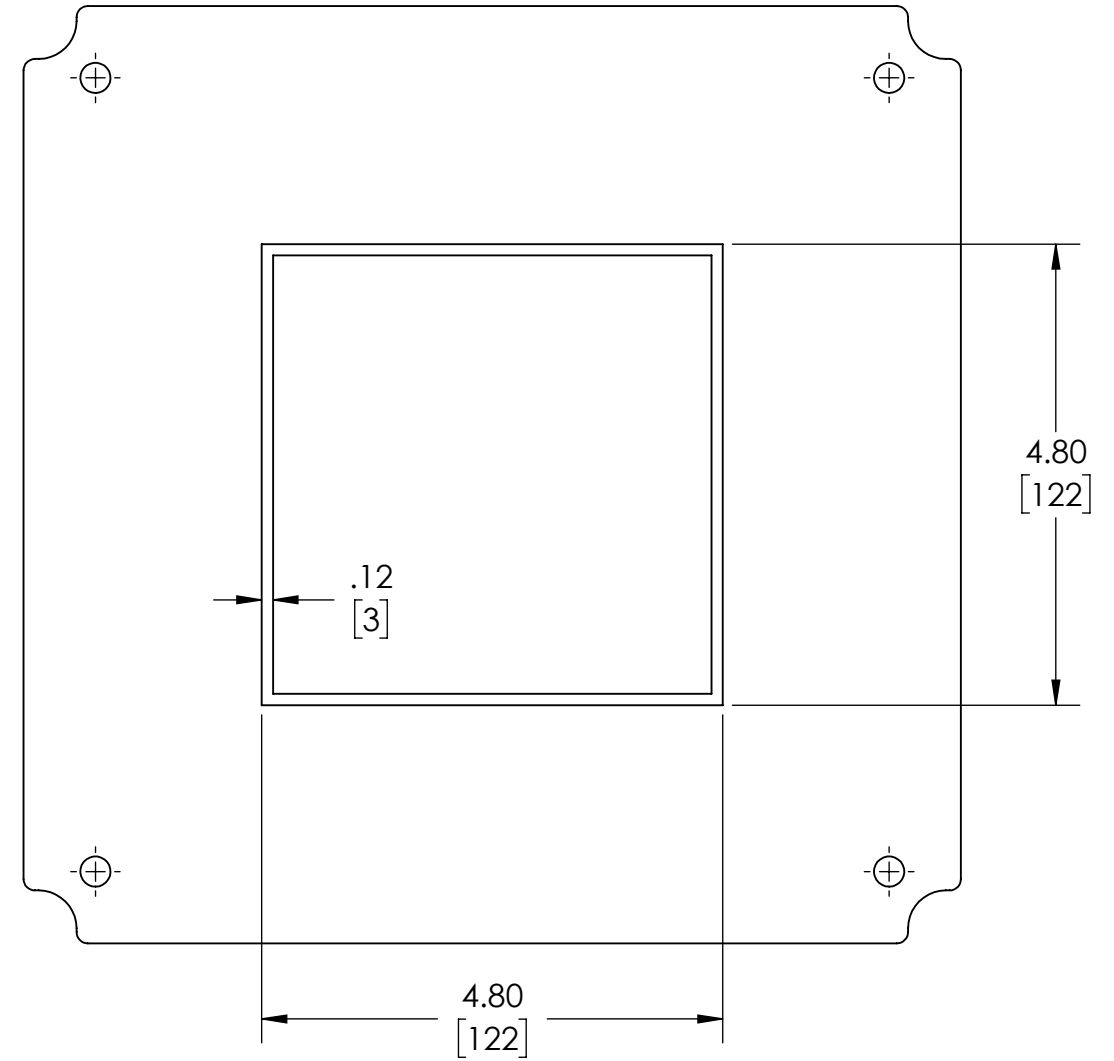
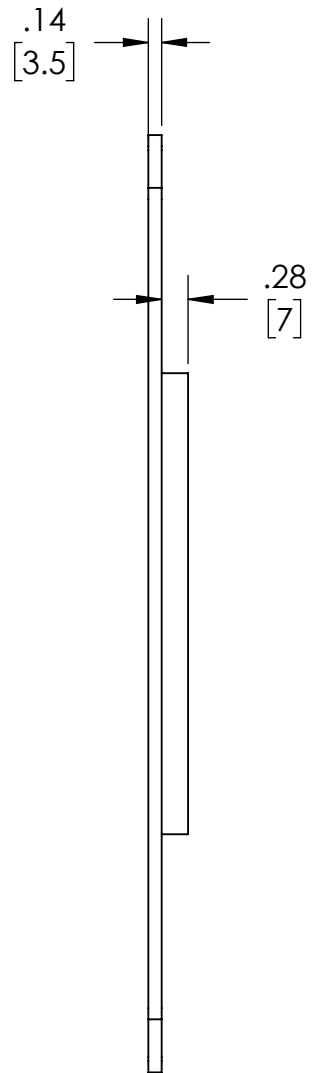
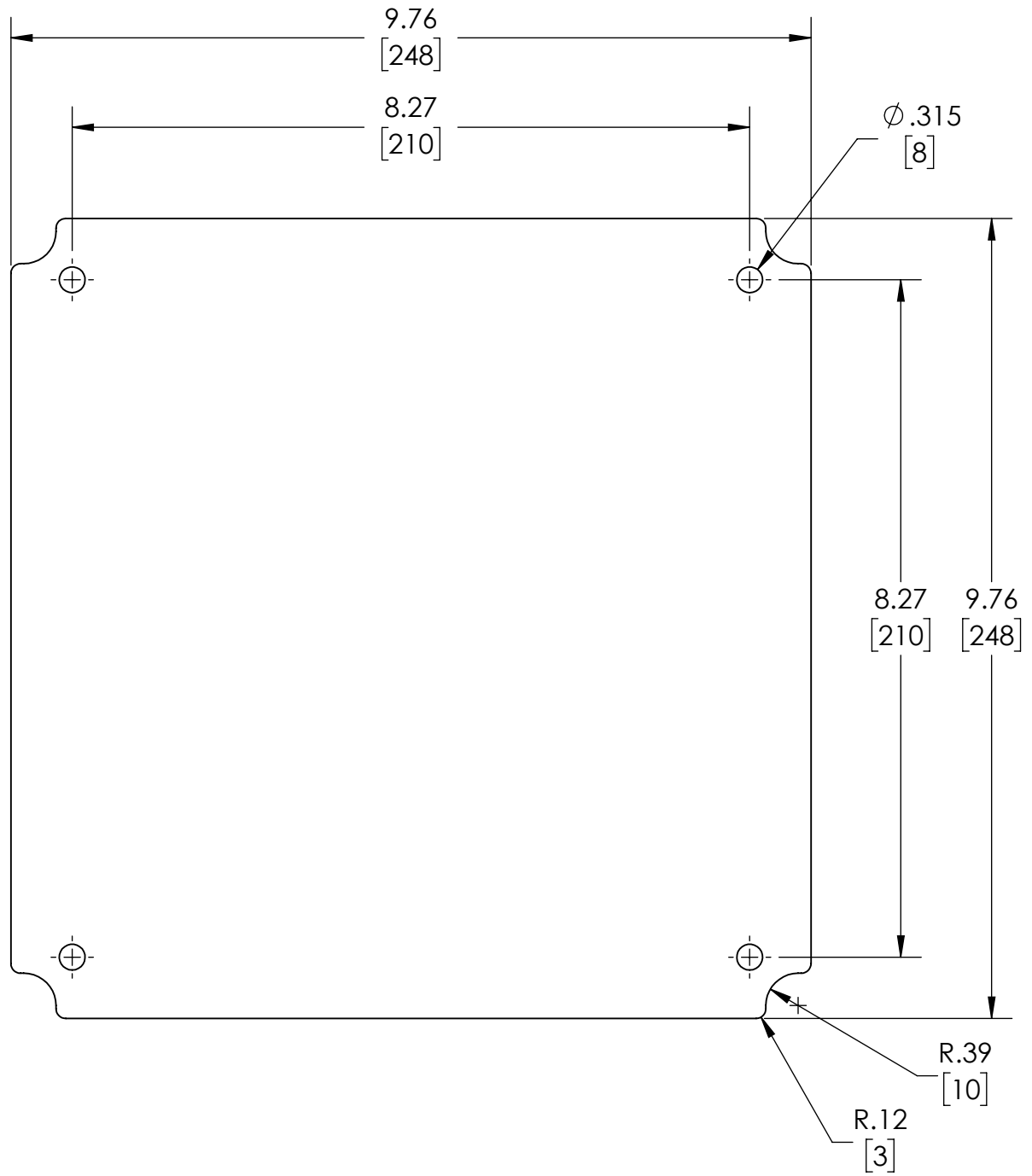
PTX-25342-P

REVISION DATE

11-5-15

DRAWING FOR REFERENCE
WE RESERVE THE RIGHT TO MAKE CHANGES TO OUR STANDARD PRODUCTS. PLEASE CONSULT WITH BUD INDUSTRIES PRIOR TO USING THIS DRAWING FOR DESIGN PURPOSE.

MATERIAL: ABS
COLOR: LIGHT GRAY
DIMENSIONS ARE INCH [MM]



PANEL FITS ENCLOSURE: #PTS-25342 & #PTS-25342-C
(MOUNTING HARDWARE SUPPLIED WITH ENCLOSURE)