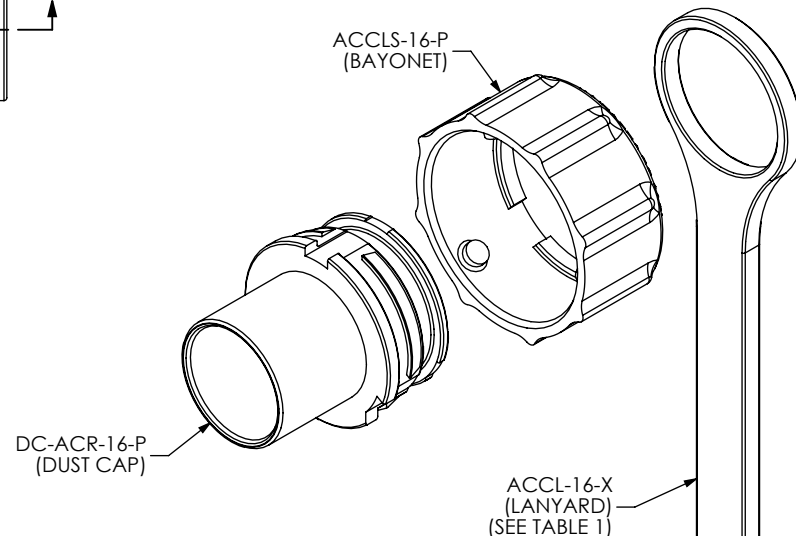
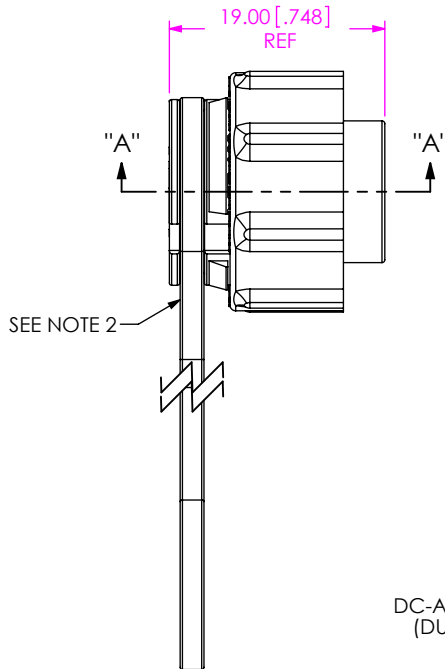
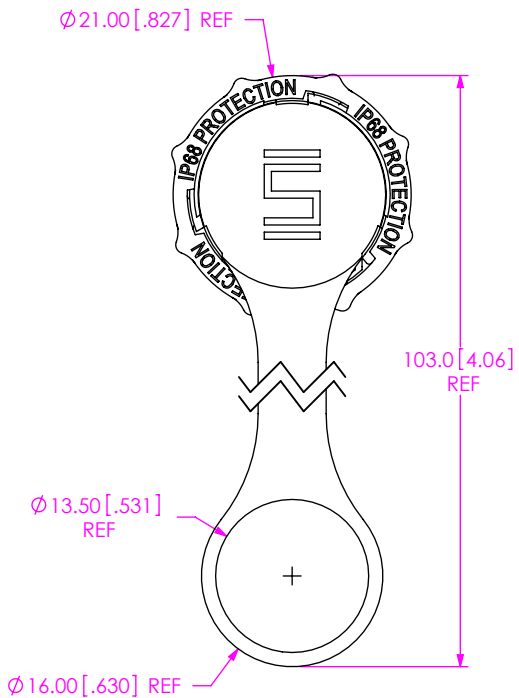


DO NOT SCALE FROM THIS PRINT

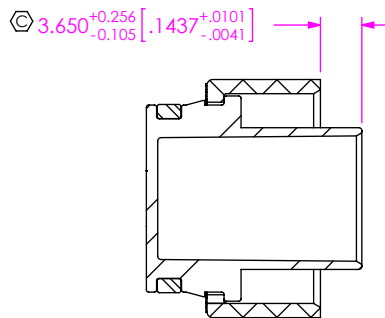
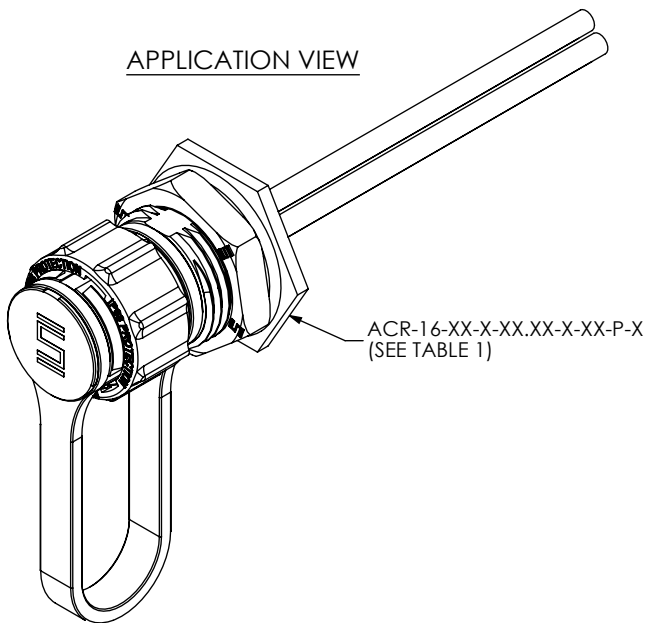
DESIGNED & DIMENSIONED IN MILLIMETERS [INCHES]

DCA-ACR-16-P-X

SIZE PLASTIC KEYING FEATURE COLOR
 -1: ORANGE
 -2: GREEN
 -3: BLUE
 -4: YELLOW



APPLICATION VIEW



SECTION "A"- "A"

TABLE 1		
CORRESPONDING CABLE PART NUMBER	KEYING FEATURE COLOR	ACCL-16-X
ACR-16-XX-X-XX.XX-X-XX-P-1	-1	ACCL-16-1
ACR-16-XX-X-XX.XX-X-XX-P-2	-2	ACCL-16-2
ACR-16-XX-X-XX.XX-X-XX-P-3	-3	ACCL-16-3
ACR-16-XX-X-XX.XX-X-XX-P-4	-4	ACCL-16-4

NOTES:

1. $\text{\textcircled{C}}$ REPRESENTS A CRITICAL DIMENSION
2. ACCL-16-X MUST SEAT IN GROOVE IN DC-ACR-16-P.

UNLESS OTHERWISE SPECIFIED, DIMENSIONS ARE IN MILLIMETERS.

TOLERANCES ARE:
 DECIMALS ANGLES
 X.X: ±0.3 [.01] 2°
 X.XX: ±0.08 [.003]
 X.XXX: ±0.051 [.0020]

PROPRIETARY NOTE

THIS DOCUMENT CONTAINS INFORMATION CONFIDENTIAL AND PROPRIETARY TO SAMTEC, INC. AND SHALL NOT BE REPRODUCED OR TRANSFERRED TO OTHER DOCUMENTS OR DISCLOSED TO OTHERS OR USED FOR ANY PURPOSE OTHER THAN THAT WHICH IT WAS OBTAINED WITHOUT THE EXPRESSED WRITTEN CONSENT OF SAMTEC, INC.



520 PARK EAST BLVD., NEW ALBANY, IN 47150
 PHONE: 812-944-6733 FAX: 812-948-5047
 e-Mail: info@SAMTEC.com code 53322

MATERIAL: DO NOT SCALE DRAWING SHEET SCALE: 1:5:1
 DC-ACR-16-P: NYLON, COLOR: BLACK
 ACCLS-16-P: NYLON, COLOR: BLACK
 ACCL-16-X: SILICONE

DESCRIPTION:
 ACCLIMATE CIRC. PANEL DUST CAP

DWG. NO. DCA-ACR-16-P-X

BY: D.SCHMELZ 04/26/2010 SHEET 1 OF 1