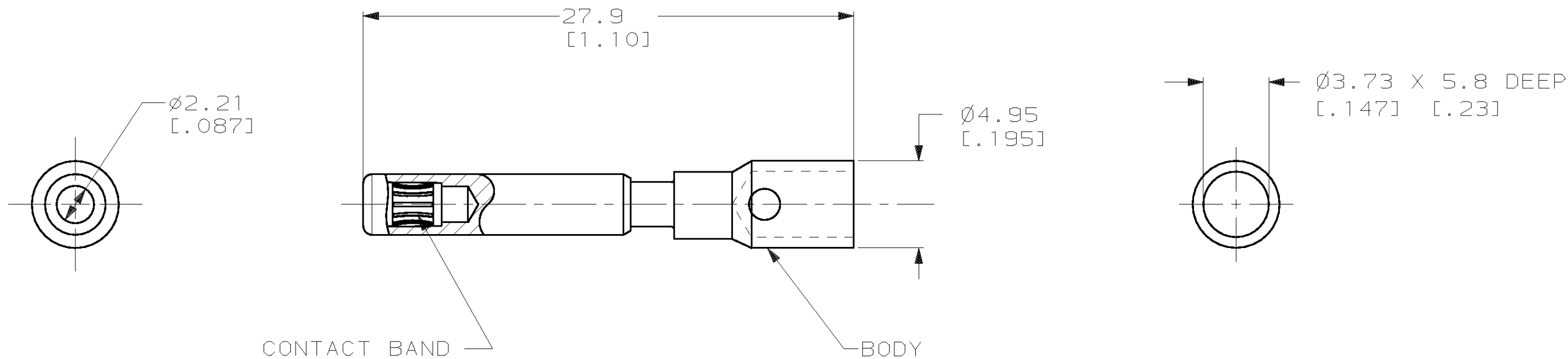


THIS DRAWING IS UNPUBLISHED. RELEASED FOR PUBLICATION, 19  
 © COPYRIGHT 19 BY AMP INCORPORATED. ALL INTERNATIONAL RIGHTS RESERVED.

LOC	DIST	P	F	REVISIONS			
ZONE	LTR	DESCRIPTION	DATE	APPD			
CH	11			A	EC OB20-1083-98	20/AUG/98	RNP
				O	RELEASED FOR PRODUCTION	07/JAN/97	RNP

- 1 MATERIAL- BODY: COPPER ALLOY  
BAND: BeCu
- 2 FINISH- BODY AND BAND: 5.08µM [.000200] SILVER  
OVER 1.02µM [.000040] NICKEL.
- 3. WIRE BARREL WILL ACCEPT #10 AWG WIRE.
- 4. MATES WITH AMP PART NUMBER 194210-1.



194211-1  
PART NO

DO NOT SCALE PRINT. UNLESS SPECIFIED DIMENSIONS IN mm [INCHES] TOLERANCES ON: 1 PLC DEC ± 0.5 [.02] 2 PLC DEC ± 0.25 [.010] ANGLES ± -	DR R N POLK 07/JAN/97
MATERIAL 1	CHK -
FINISH 2	APPD -
	APPD -
	PRODUCT SPEC -
	APPLICATION SPEC -
	WEIGHT -

<b>AMP</b> AMP Incorporated Harrisburg, PA 17105-3608		
NAME SOCKET ASSY, 2mm, #10AWG, LUBRICATED UNIVERSAL MATE-N-LOK* II		
SIZE B	CAGE CODE 00779	DRAWING NO C-194211
SCALE NONE	SHEET 1 OF 1	

\*MATE-N-LOK IS A TRADEMARK

THIS DRAWING IS A CONTROLLED DOCUMENT FOR AMP INCORPORATED. IT IS SUBJECT TO CHANGE AND THE CONTROLLING ENGINEERING ORGANIZATION SHOULD BE CONTACTED FOR THE LATEST REVISION.