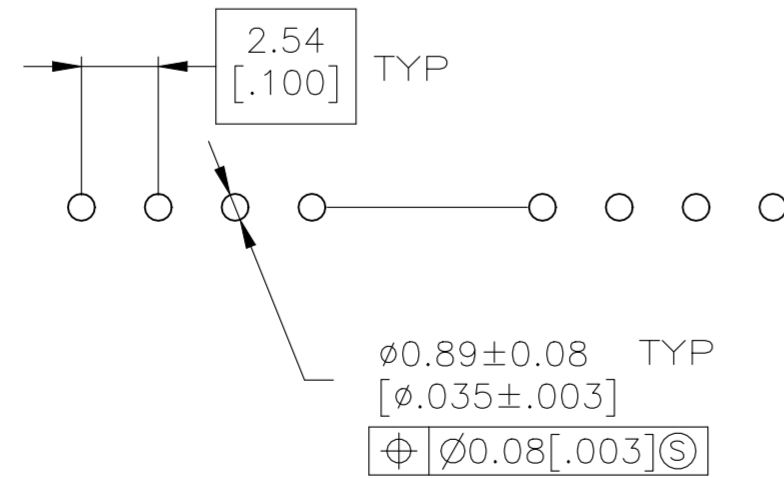
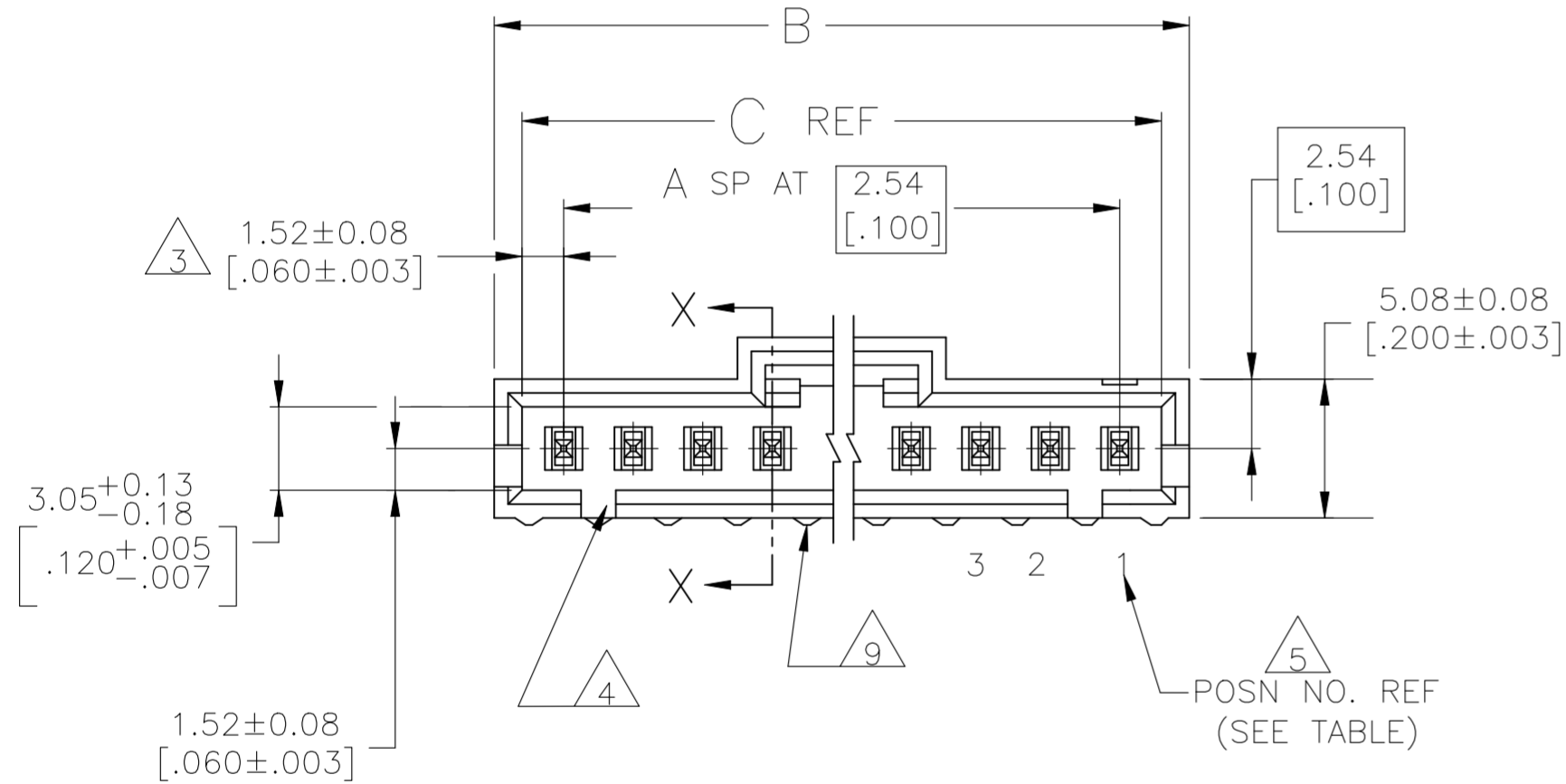
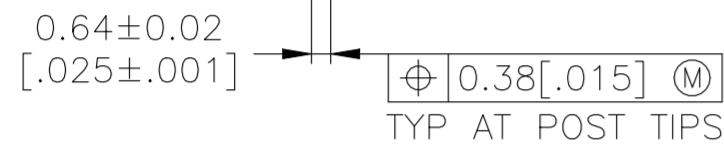
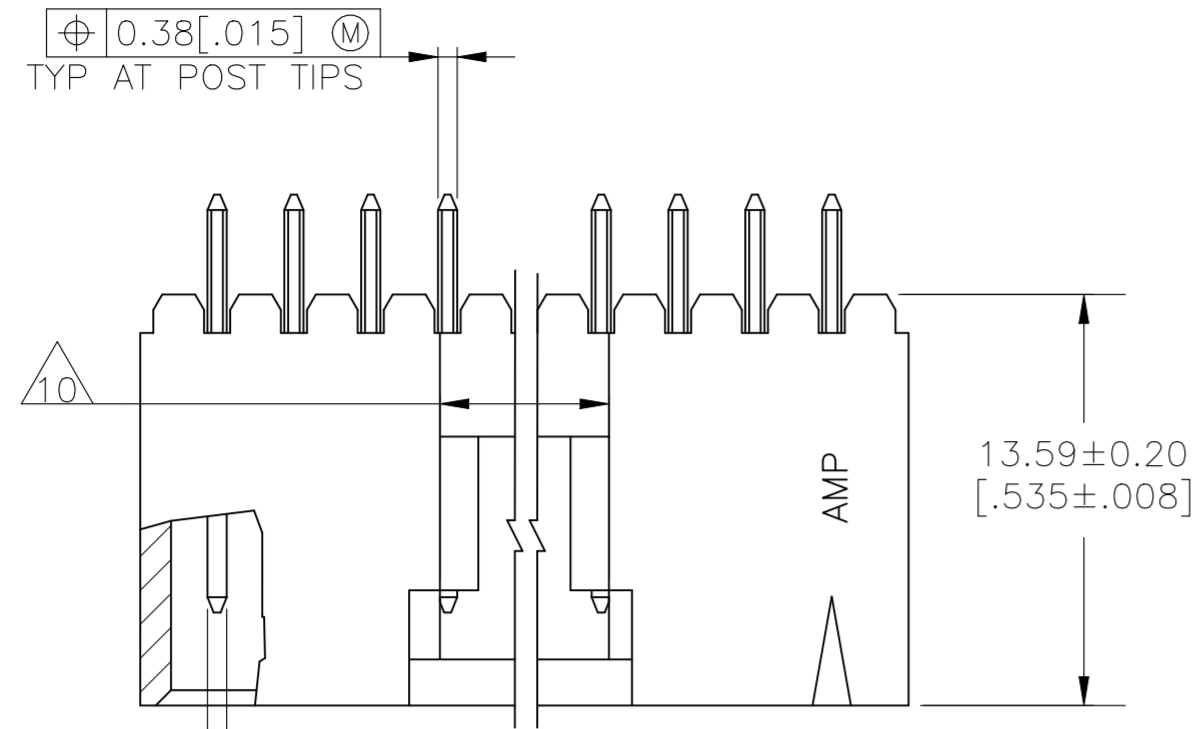
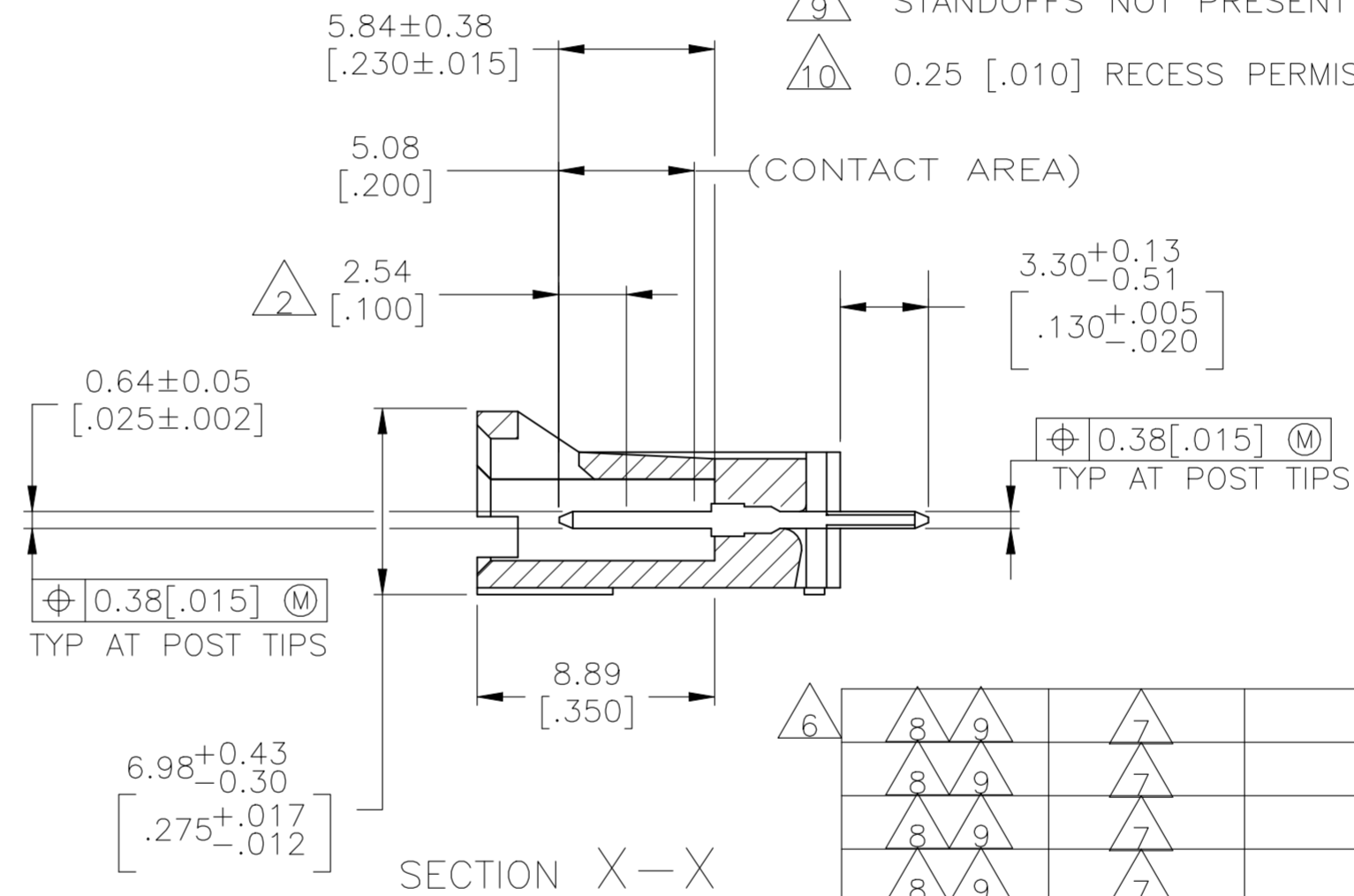


REVISIONS					
P	LTR	DESCRIPTION	DATE	DWN	APVD
K		REVISED PER ECO-20-001912	03JUN2020	SB	JO



RECOMMENDED HOLE LAYOUT



- 1 .00254[.000100] BRIGHT TIN-LEAD OVER .00127[.000050] NICKEL.
- 2 POINT OF MEASUREMENT FOR PLATING THICKNESS.
- 3 THE NOTED DIMENSIONS APPLY AT THE INTERSECTION OF THE POST AND THE HOUSING.
- 4 ON ASSEMBLIES WITH FOUR OR MORE POSITIONS, TWO POLARIZATION SLOTS. ON ASSEMBLIES WITH TWO OR THREE POSITIONS, ONE POLARIZATION SLOT.
- 5 POSITION NOTED FOR REFERENCE ONLY.
- 6 PRELIMINARY PART-NOT RELEASED FOR PRODUCTION.
- 7 .00254[.000100] MATTE TIN OVER .00127[.000050] NICKEL.
- 8 HIGH TEMPERATURE CONFIGURATION
- 9 STANDOFFS NOT PRESENT ON UNDERSIDE OF ASSEMBLY
- 10 0.25 [.010] RECESS PERMISSIBLE IN THIS AREA FOR MOLD SHUT OFF

REMARKS	PLATING	POSITIONS OMITTED	C	B	A	NO. OF POSN	PART NO.	
6	8 9	7	16	48.77 [1.920]	50.67 [1.995]	18	19	5-147969-5
	8 9	7	17	48.77 [1.920]	50.67 [1.995]	18	19	5-147969-4
	8 9	7	10	28.45 [1.120]	30.35 [1.195]	10	11	5-147969-3
	8 9	7	19	51.31 [2.020]	53.21 [2.095]	19	20	5-147969-2
	8 9	7	2	8.13 [.320]	10.03 [.395]	2	3	5-147969-1
6	8	1	18	51.31 [2.020]	53.21 [2.095]	19	20	147969-6
6	8	1	16	48.77 [1.920]	50.67 [1.995]	18	19	147969-5
	8	1	17	48.77 [1.920]	50.67 [1.995]	18	19	147969-4
	8	1	10	28.45 [1.120]	30.35 [1.195]	10	11	147969-3
	8	1	19	51.31 [2.020]	53.21 [2.095]	19	20	147969-2
	8	1	2	8.13 [.320]	10.03 [.395]	2	3	147969-1

THIS DRAWING IS A CONTROLLED DOCUMENT.

DWN	R.BROWN	10SEP01
CHK	K.WRIGHT	10SEP01
APVD	K.WRIGHT	10SEP01

TE Connectivity

HDR ASSY, VERT, SINGLE ROW  
2.54[.100] CL, 0.64[.025] SQ POST,  
WITH PLZN & LATCHING, AMPMODU MTE

SIZE	A2	CAGE CODE	00779	DRAWING NO	C=147969	RESTRICTED TO	-
SCALE	4:1	SHEET	1 OF 1	REV	K		

CUSTOMER DRAWING