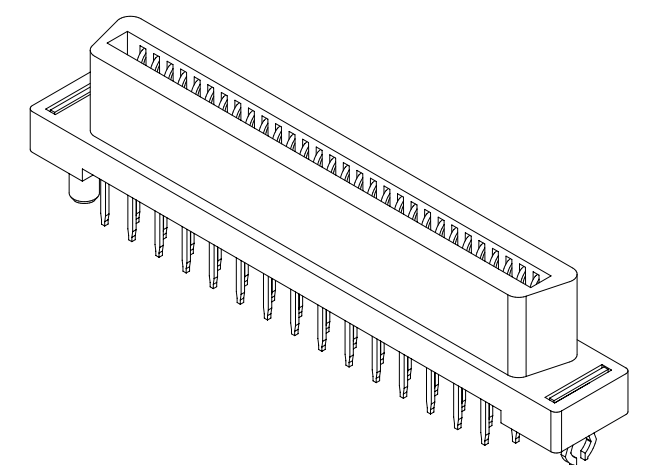
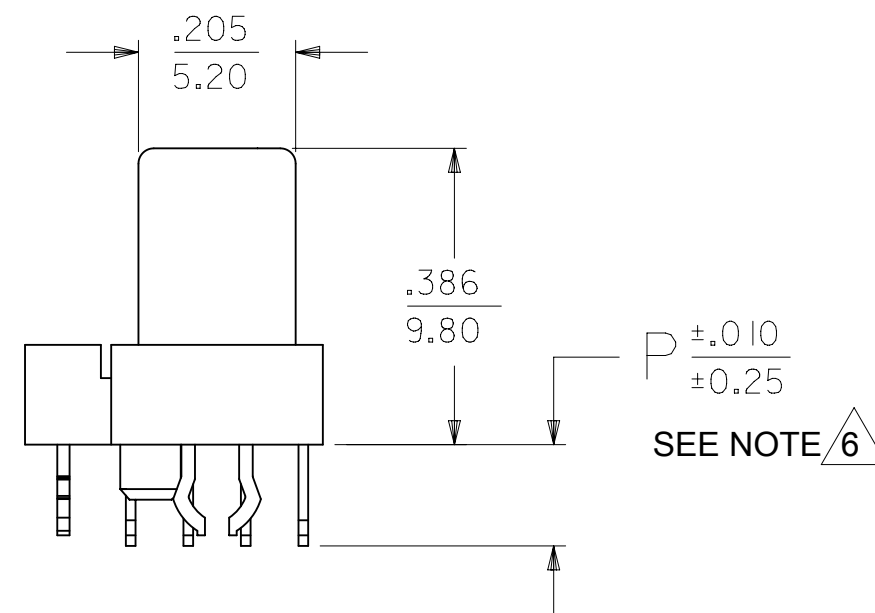
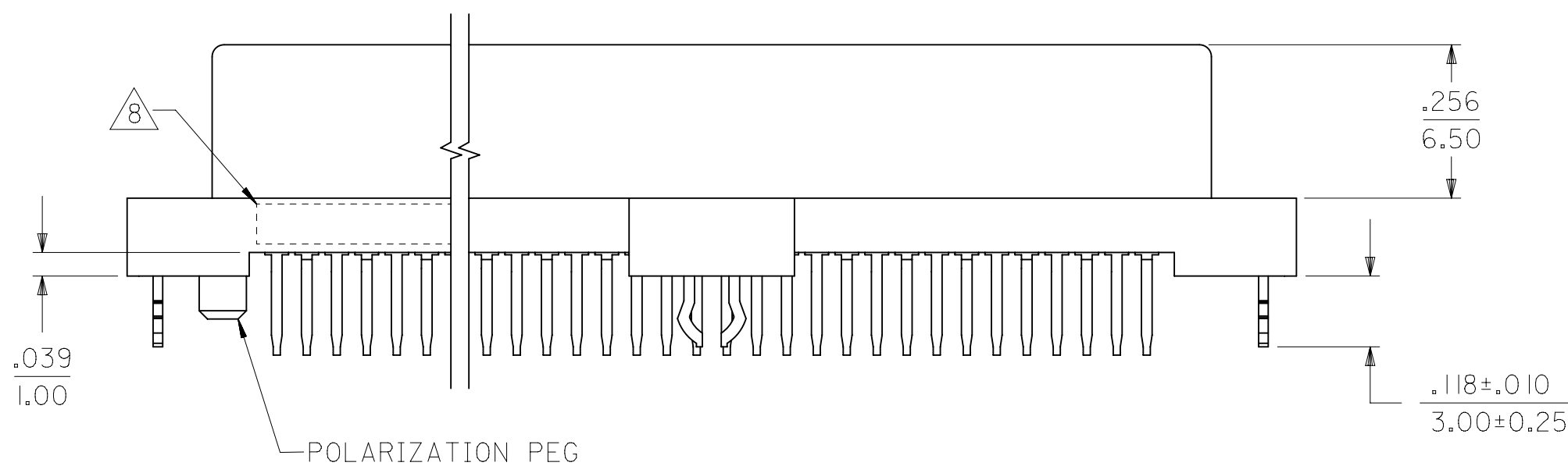
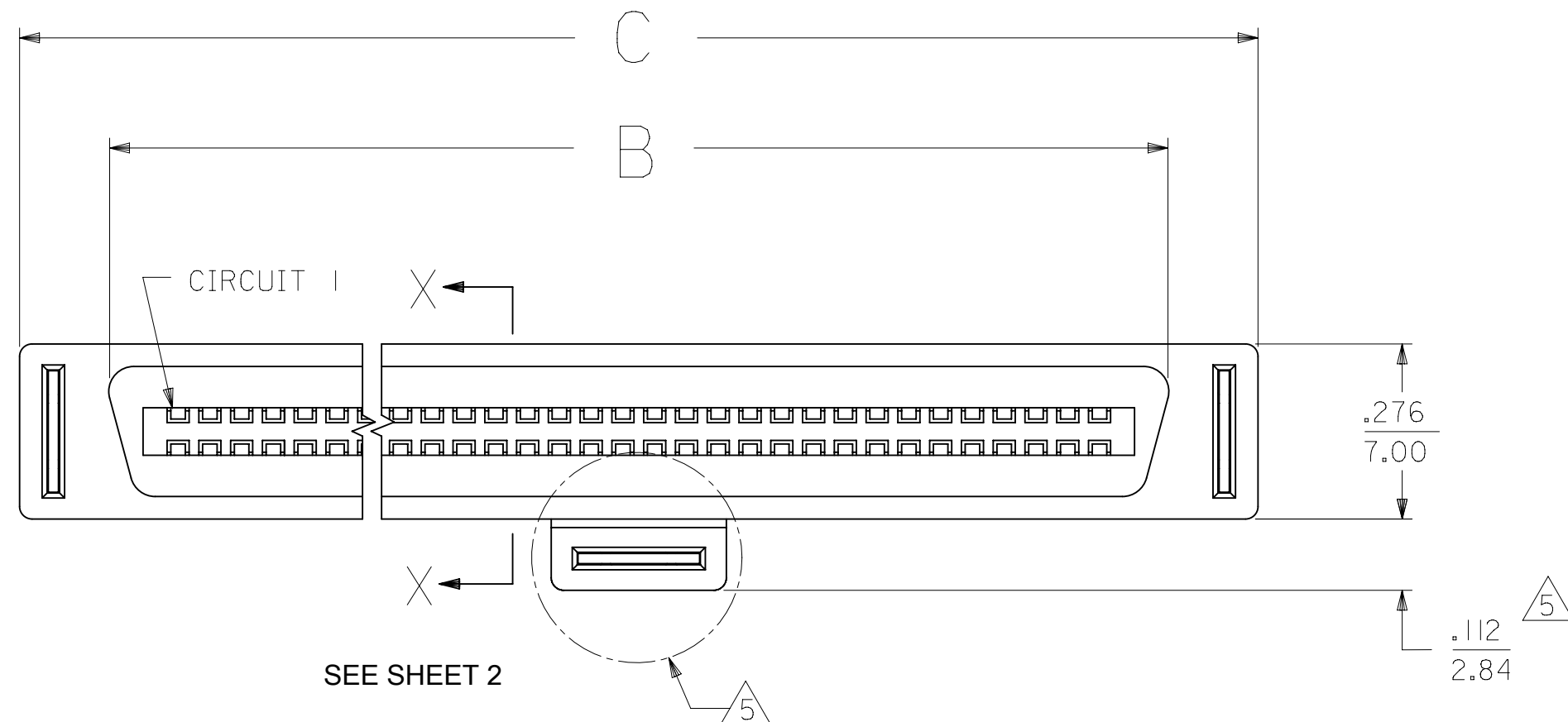


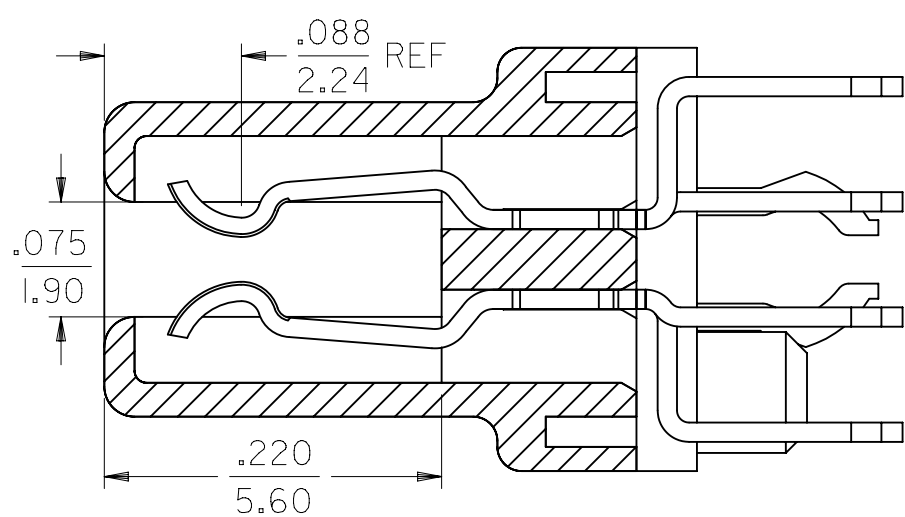
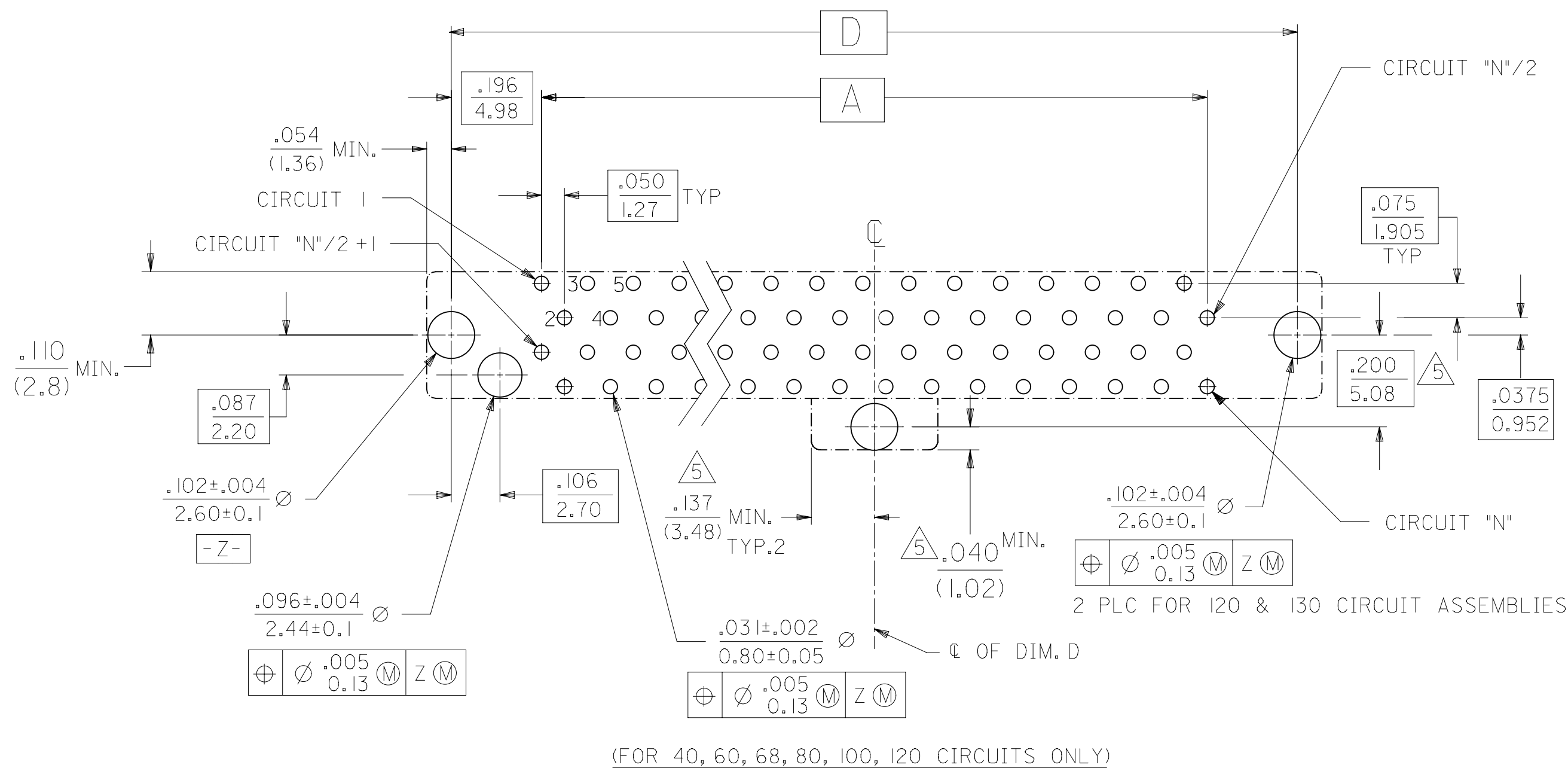
NOTES:

- 1) MATERIALS:  
HOUSING- LCP, GLASS FILLED, 94V-0, BLACK.  
TERMINALS- COPPER ALLOY  
METAL PEGS- COPPER ALLOY
- 2) FINISH:  
TERMINALS:  
.000030/(0.00076) MINIMUM GOLD IN CONTACT AREA OVER  
.000050/(0.00127) MINIMUM TIN IN TAIL AREA OVER  
.000075/(0.00191) MINIMUM NICKEL UNDERPLATE OVERALL.
- 3) ASSEMBLY MATES WITH MOLEX P/N SDA-71661-\*\*\*\*.
- 4) CONFORMS TO PRODUCT SPECIFICATION PS-71660.
- 5 CENTER PEG IS ONLY ON 120 AND 130 CIRCUIT ASSEMBLIES.
- 6 TAIL LENGTH ON FIRST MATE CONTACTS IS APPROXIMATELY .010 INCH/0.25 mm SHORTER THAN THE TAIL LENGTH SPECIFIED.
- 7 CONNECTOR WILL ACCEPT MATING TO A P.C. BOARD WITH A THICKNESS OF .062±.003.
- 8 FOUR DIGIT DATE CODE (WK YR), EXAMPLE => 26 96 LOCATED IN AREA INDICATED.
- 9 SEE CHART FOR PACKAGING INFORMATION.

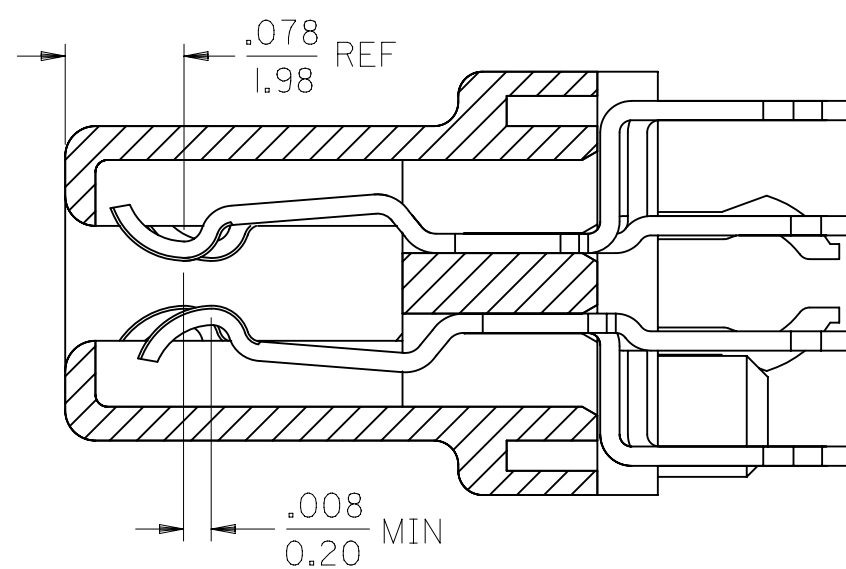


60 CIRCUIT ASSEMBLY SHOWN  
SCALE 2:1

THIS DRAWING CONTAINS INFORMATION THAT IS PROPRIETARY TO MOLEX ELECTRONIC TECHNOLOGIES, LLC AND SHOULD NOT BE USED WITHOUT WRITTEN PERMISSION									
DIMENSION UNITS <b>IN/mm</b>		SCALE <b>4:1</b>		CURRENT REV DESC: OBSOLETE PART NUMBERS				<b>molex</b>	
GENERAL TOLERANCES (UNLESS SPECIFIED)				EC NO: 644856					
		MM	INCH	DRWN: RPRABHUM		2020/06/19		SALES ASSEMBLY MOLEX EBBI 50D VERTICAL RECEPTACLE CONNECTOR	
4 PLACES ±				CHK'D: GGA		2020/10/07		PRODUCT CUSTOMER DRAWING	
3 PLACES ±			± 0.005	APPR: GGA		2020/10/07			
2 PLACES ±		0.13	± 0.01	INITIAL REVISION:		DOCUMENT NUMBER		DOC TYPE	DOC PART
1 PLACE ±		0.25	±	DRWN: RAN		1992/06/15		SDA-71660-1XXX	
0 PLACES ±			±	APPR: CAB		1992/06/15		PSD	001
ANGULAR TOL ± 0.5°				THIRD ANGLE PROJECTION		DRAWING	SERIES	MATERIAL NUMBER	CUSTOMER
DRAFT WHERE APPLICABLE MUST REMAIN WITHIN DIMENSIONS				C-SIZE		71660	SEE TABLE	GENERAL MARKET	SHEET NUMBER 1 OF 3



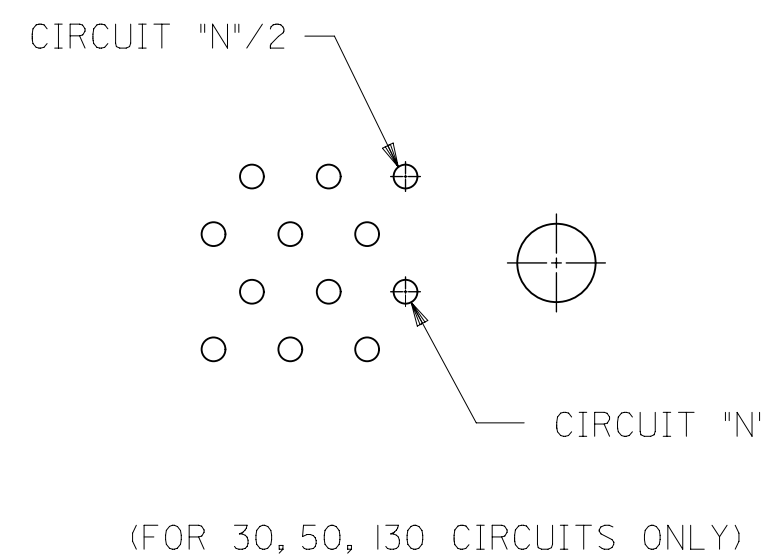
STANDARD PRODUCT



FMLB OPTION

SECTION X-X  
SCALE - 8:1

RECOMMENDED PC BOARD LAYOUT  
COMPONENT SIDE



THIS DRAWING CONTAINS INFORMATION THAT IS PROPRIETARY TO MOLEX ELECTRONIC TECHNOLOGIES, LLC AND SHOULD NOT BE USED WITHOUT WRITTEN PERMISSION									
DIMENSION UNITS <b>IN/mm</b>		SCALE <b>4:1</b>		CURRENT REV DESC: OBSOLETE PART NUMBERS					
GENERAL TOLERANCES (UNLESS SPECIFIED)				EC NO: 644856					
		MM	INCH	DRWN: RPRABHUM					
4 PLACES		±	±	CHK'D: GGA		2020/10/07		SALES ASSEMBLY MOLEX EBBI 50D VERTICAL RECEPTACLE CONNECTOR	
3 PLACES		±	± 0.005	APPR: GGA		2020/10/07			
2 PLACES		±	0.13 ± 0.01	INITIAL REVISION:		PRODUCT CUSTOMER DRAWING			
1 PLACE		±	0.25 ±	DRWN: RAN					
0 PLACES		±	±	APPR: CAB		1992/06/15		DOCUMENT NUMBER <b>SDA-71660-1XXX</b>	
ANGULAR TOL		±	0.5 °	THIRD ANGLE PROJECTION		DRAWING		DOC TYPE   DOC PART   REVISION	
DRAFT WHERE APPLICABLE MUST REMAIN WITHIN DIMENSIONS				C-SIZE		SERIES <b>71660</b>		MATERIAL NUMBER SEE TABLE	
						CUSTOMER GENERAL MARKET		SHEET NUMBER 2 OF 3	

ENGINEERING NUMBER	EDP NUMBER	PACKAGING SPEC	CKT ("N")	A	B	C	D	P	ADVANCED TERMINALS / CKTS SEE SECTION X-X "FMLB OPT"
SDA-71660-1050	015-92-1050	PK-71660	50	1.200 (30.48)	1.418 (36.02)	1.699 (43.15)	1.592 (40.45)	.134 (3.40)	↑ N/A ↓
SDA-71660-1120	015-92-1120	PK-71660	120	2.950 (74.93)	3.168 (80.47)	3.449 (87.60)	3.342 (84.90)		
SDA-71660-1130	015-92-1130	PK-71660	130	3.200 (81.28)	3.418 (86.82)	3.699 (93.95)	3.592 (91.25)		
SDA-71660-1330	015-92-1430	PK-71660	30	.700 (17.78)	.918 (23.32)	1.199 (30.45)	1.092 (27.75)	.110 (2.79)	↑ N/A ↓
SDA-71660-1340	015-92-1440	PK-71660	40	.950 (24.13)	1.168 (29.67)	1.449 (36.80)	1.342 (34.10)		
SDA-71660-1350	015-92-1450	PK-71660	50	1.200 (30.48)	1.418 (36.02)	1.699 (43.15)	1.592 (40.45)		
SDA-71660-1380	015-92-1480	PK-71660	80	1.950 (49.53)	2.168 (55.07)	2.449 (62.20)	2.342 (59.50)		
SDA-71660-1400	015-92-1500	PK-71660	100	2.450 (62.23)	2.668 (67.77)	2.949 (74.90)	2.842 (72.20)		

THIS DRAWING CONTAINS INFORMATION THAT IS PROPRIETARY TO MOLEX ELECTRONIC TECHNOLOGIES, LLC AND SHOULD NOT BE USED WITHOUT WRITTEN PERMISSION									
DIMENSION UNITS		SCALE		CURRENT REV DESC: OBSOLETE PART NUMBERS					
IN/mm		4:1		<p><b>molex</b></p> <p>SALES ASSEMBLY MOLEX EBBI 50D VERTICAL RECEPTACLE CONNECTOR</p> <p>PRODUCT CUSTOMER DRAWING</p> <p>DOCUMENT NUMBER: <b>SDA-71660-1XXX</b>    DOC TYPE: PSD    DOC PART: 001    REVISION: R</p>					
GENERAL TOLERANCES (UNLESS SPECIFIED)									
	MM	INCH							
4 PLACES	±	±							
3 PLACES	±	± 0.005							
2 PLACES	± 0.13	± 0.01							
1 PLACE	± 0.25	±							
0 PLACES	±	±							
ANGULAR TOL ± 0.5 °				THIRD ANGLE PROJECTION		DRAWING		SERIES	
DRAFT WHERE APPLICABLE MUST REMAIN WITHIN DIMENSIONS						C-SIZE		71660	
DOCUMENT STATUS		P1		RELEASE DATE		2020/10/07		13:33:34	