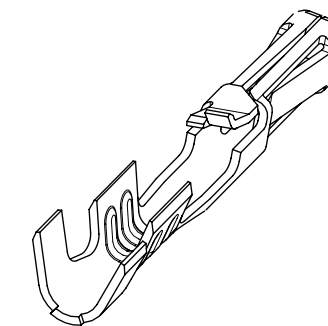


TERMINALS STAMPED WITH THE LETTER "A"  
ACCEPT 24-30 AWG WIRE WITH A 1.52 MAX INSULATION DIA.

NOTES:

- MATERIAL: PHOSPHOR BRONZE
- PLATING:
  - 124 = SELECT BRIGHT TIN: 3.75 MICROMETERS MIN OVER NICKEL
  - P124 = PREPLATED BRIGHT TIN: 3.75 MICROMETERS MIN OVER MATTE NICKEL (BARE EDGES)
  - 207 = SELECT HARD GOLD: 0.38 MICROMETERS MIN.  
SELECT TIN: 2.0 MICROMETERS MIN BOTH OVER NICKEL
  - 206 = SELECT HARD GOLD: 0.75 MICROMETERS MIN.  
SELECT TIN: 2.0 MICROMETERS MIN BOTH OVER NICKEL
- PRODUCT SPECIFICATION: TERMINALS CONFORM TO PS-70058 AND PS-70400 WHEN CRIMPED WITH MOLEX CRIMP TOOLS.
- COSMETIC SPECIFICATION: PS-45499-002 CLASS B
- TERMINAL FOR USE WITH HOUSING SERIES 70066 AND 70450
- WIRE SPECIFICATION: TERMINALS STAMPED WITH THE LETTER:  
A = ACCEPTS 24-30 AWG STRANDED WIRE WITH A 1.52 MAX INSULATION DIA
- SEE 700580000-SD FOR THIS PART WITH SINGLE NUMBER SYSTEM

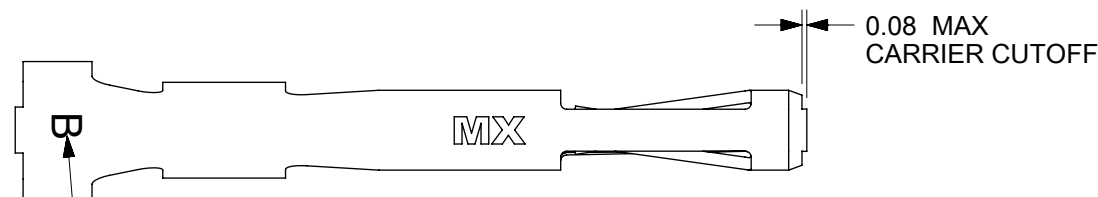
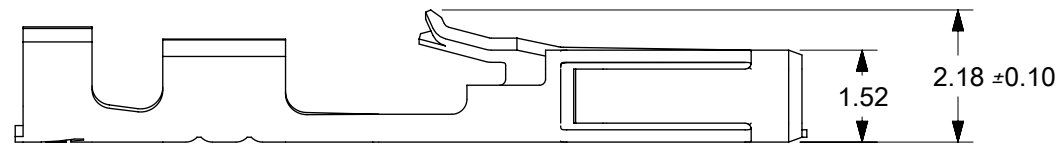
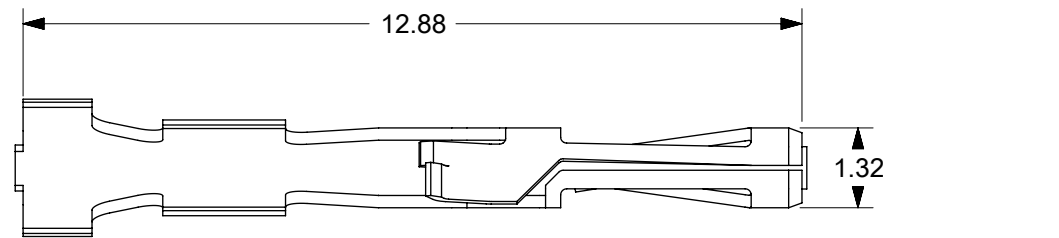
TERMINALS ON THIS SHEET ARE FOR USE  
WITH 24-30 AWG WIRE.  
SEE SHEETS 2 AND 3 FOR OTHER WIRE SIZES



(24-30 AWG WIRE)

PART NUMBER / ENGINEERING NO	PACKAGING	PLATING SEE NOTE 2	WIRE SIZE	MAX INSULATION DIA
16-02-0069 70058-0004	REEL	124 SELECT TIN	24-30 AWG	1.52 DIA MAX
16-02-0096 70058-0204	LOOSE			
70058-4069	REEL	P124 OVERALL TIN		
16-02-0082 70058-0006	REEL	207 0.38 GOLD		
16-02-0097 70058-0206	LOOSE			
16-02-0083 70058-0008	REEL	206 0.75 GOLD		
16-02-0098 70058-0208	LOOSE			

SYMBOLS	THIS DRAWING CONTAINS INFORMATION THAT IS PROPRIETARY TO MOLEX ELECTRONIC TECHNOLOGIES, LLC AND SHOULD NOT BE USED WITHOUT WRITTEN PERMISSION		
	DIMENSION UNITS	SCALE	CURRENT REV DESC: GENERIC TOL TYPO CORRECTED
▽ = 0	mm	8:1	EC NO: 648676 DRWN: SMAHAJANSHET 2020/11/05 CHK'D: NCSR 2020/12/01 APPR: NCSR 2020/12/01
▽ = 0	GENERAL TOLERANCES (UNLESS SPECIFIED)		
▽ = 0	ANGULAR TOL	± °	INITIAL REVISION: DRWN: KSAMIEC 2018/07/23 APPR: FSMITH 2018/08/27
▽ = 0	4 PLACES	±	
▽ = 0	3 PLACES	±	DOCUMENT NUMBER 700580001-SD
▽ = 0	2 PLACES	± 0.15	
▽ = 0	1 PLACE	± 0.25	DOC TYPE DOC PART REVISION PSD 000 B
▽ = 0	0 PLACES	± 0.0	
▽ = 0	DRAFT WHERE APPLICABLE MUST REMAIN WITHIN DIMENSIONS	THIRD ANGLE PROJECTION	MATERIAL NUMBER SEE CHART
		DRAWING SERIES B-SIZE 70058	
			CUSTOMER GENERAL MARKET
			SHEET NUMBER 1 OF 4



TERMINALS STAMPED WITH THE LETTER "B"  
ACCEPT 32-36 AWG WIRE WITH A 0.64 MAX INSULATION DIA

NOTES:

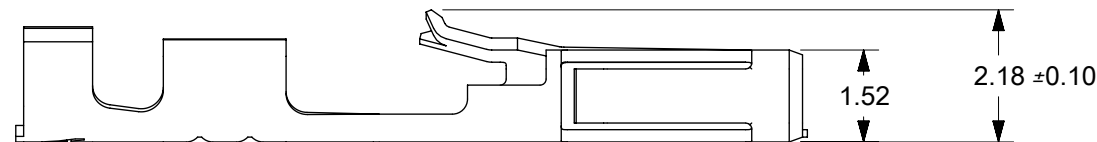
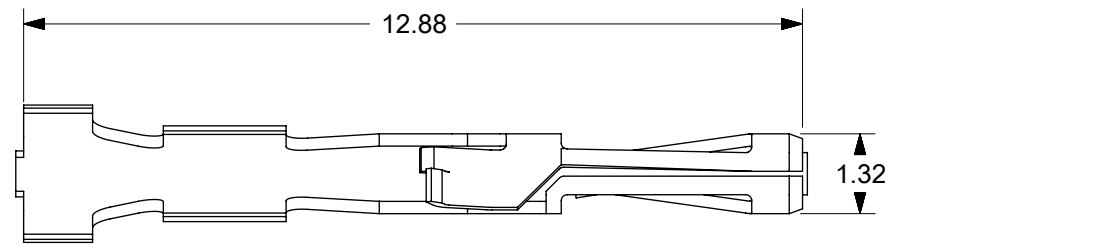
1. MATERIAL: PHOSPHOR BRONZE
2. PLATING:  
207 = SELECT HARD GOLD: 0.38 MICROMETERS MIN.  
SELECT TIN: 2.0 MICROMETERS MIN BOTH OVER NICKEL  
206 = SELECT HARD GOLD: 0.75 MICROMETERS MIN.  
SELECT TIN: 2.0 MICROMETERS MIN BOTH OVER NICKEL
3. PRODUCT SPECIFICATION: TERMINALS CONFORM TO PS-70058 AND PS-70400 WHEN CRIMPED WITH MOLEX CRIMP TOOLS.
4. COSMETIC SPECIFICATION: PS-45499-002 CLASS B
5. TERMINAL FOR USE WITH HOUSING SERIES 70066 AND 70450
6. WIRE SPECIFICATION: TERMINALS STAMPED WITH THE LETTER:  
B = ACCEPTS 32-36 AWG STRANDED WIRE WITH A 0.64 MAX INSULATION DIA.

TERMINALS ON THIS SHEET ARE FOR USE  
WITH 32-36 AWG WIRE.  
SEE SHEETS 1 AND 3 FOR OTHER WIRE SIZES

PART NUMBER / ENGINEERING NO	PACKAGING	PLATING SEE NOTE 2	WIRE SIZE	MAX INSULATION DIA
16-02-0074 70058-0015	REEL	207 0.38 GOLD	32-36	0.64 DIA MAX
16-02-0085 70058-0017	REEL	206 0.75 GOLD		
16-02-0101 70058-0217	LOOSE			

(32-36 AWG WIRE)

SYMBOLS	THIS DRAWING CONTAINS INFORMATION THAT IS PROPRIETARY TO MOLEX ELECTRONIC TECHNOLOGIES, LLC AND SHOULD NOT BE USED WITHOUT WRITTEN PERMISSION		CURRENT REV DESC: GENERIC TOL TYPO CORRECTED		<b>molex</b>
	DIMENSION UNITS	SCALE	EC NO: 648676		
▽ = 0	mm	8:1	DRWN: SMAHAJANSHET	2020/11/05	SL CRIMP TERMINAL
▽ = 0	GENERAL TOLERANCES (UNLESS SPECIFIED)		CHK'D: NCSR	2020/12/01	
▽ = 0	ANGULAR TOL ± °		APPR: NCSR	2020/12/01	PRODUCT CUSTOMER DRAWING
▽ = 0	4 PLACES ±		INITIAL REVISION:		DOCUMENT NUMBER
▽ = 0	3 PLACES ±		DRWN: KSAMIEC	2018/07/23	700580001-SD
▽ = 0	2 PLACES ± 0.15		APPR: FSMITH	2018/08/27	DOC TYPE
▽ = 0	1 PLACE ± 0.25		THIRD ANGLE PROJECTION		PSD
▽ = 0	0 PLACES ± 0.0		DRAWING	SERIES	DOC PART
▽ = 0	DRAFT WHERE APPLICABLE MUST REMAIN WITHIN DIMENSIONS		B-SIZE	70058	REVISION
▽ = 0			MATERIAL NUMBER	CUSTOMER	SHEET NUMBER
			SEE CHART	GENERAL MARKET	2 OF 4



TERMINALS STAMPED WITH THE LETTER "C"  
ACCEPT 22-24 AWG WIRE WITH A 1.63 MAX INSULATION DIA

NOTES:

- MATERIAL: PHOSPHOR BRONZE
- PLATING:
  - 124 = SELECT BRIGHT TIN: 3.75 MICROMETERS MIN OVER NICKEL
  - P124 = PREPLATED BRIGHT TIN: 3.75 MICROMETERS MIN OVER MATTE NICKEL (BARE EDGES)
  - 207 = SELECT HARD GOLD: 0.38 MICROMETERS MIN.  
SELECT TIN: 2.0 MICROMETERS MIN BOTH OVER NICKEL
  - 206 = SELECT HARD GOLD: 0.75 MICROMETERS MIN.  
SELECT TIN: 2.0 MICROMETERS MIN BOTH OVER NICKEL
- PRODUCT SPECIFICATION: TERMINALS CONFORM TO PS-70058 AND PS-70400 WHEN CRIMPED WITH MOLEX CRIMP TOOLS.
- COSMETIC SPECIFICATION: PS-45499-002 CLASS B
- TERMINAL FOR USE WITH HOUSING SERIES 70066 AND 70450
- WIRE SPECIFICATION: TERMINALS STAMPED WITH THE LETTER:  
C = ACCEPTS 22-24 AWG STRANDED WIRE WITH A 1.63 MAX INSULATION DIA

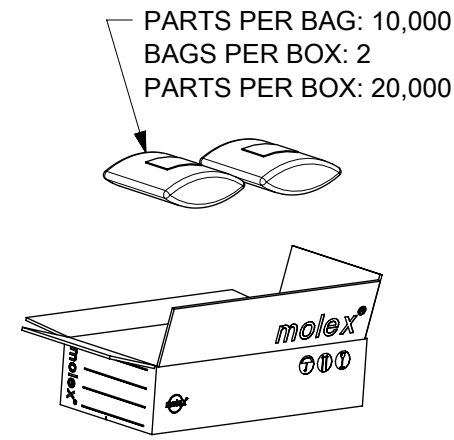
TERMINALS ON THIS SHEET ARE FOR USE  
WITH 22-24 AWG WIRE.  
SEE SHEETS 1 AND 2 FOR OTHER WIRE SIZES

PART NUMBER / ENGINEERING NO:	PACKAGING	PLATING SEE NOTE 2	WIRE SIZE	MAX INSULATION DIA
16-02-0086 70058-0022	REEL	124 SELECT TIN	22-24 AWG	1.63 DIA MAX
16-02-0102 70058-0222	LOOSE			
70058-4086	REEL	124 OVERALL TIN		
16-02-0087 70058-0024	REEL	207 0.38 GOLD		
16-02-0103 70058-0224	LOOSE			
16-02-0088 70058-0026	REEL	206 0.75 GOLD		
16-02-0104 70058-0226	LOOSE			

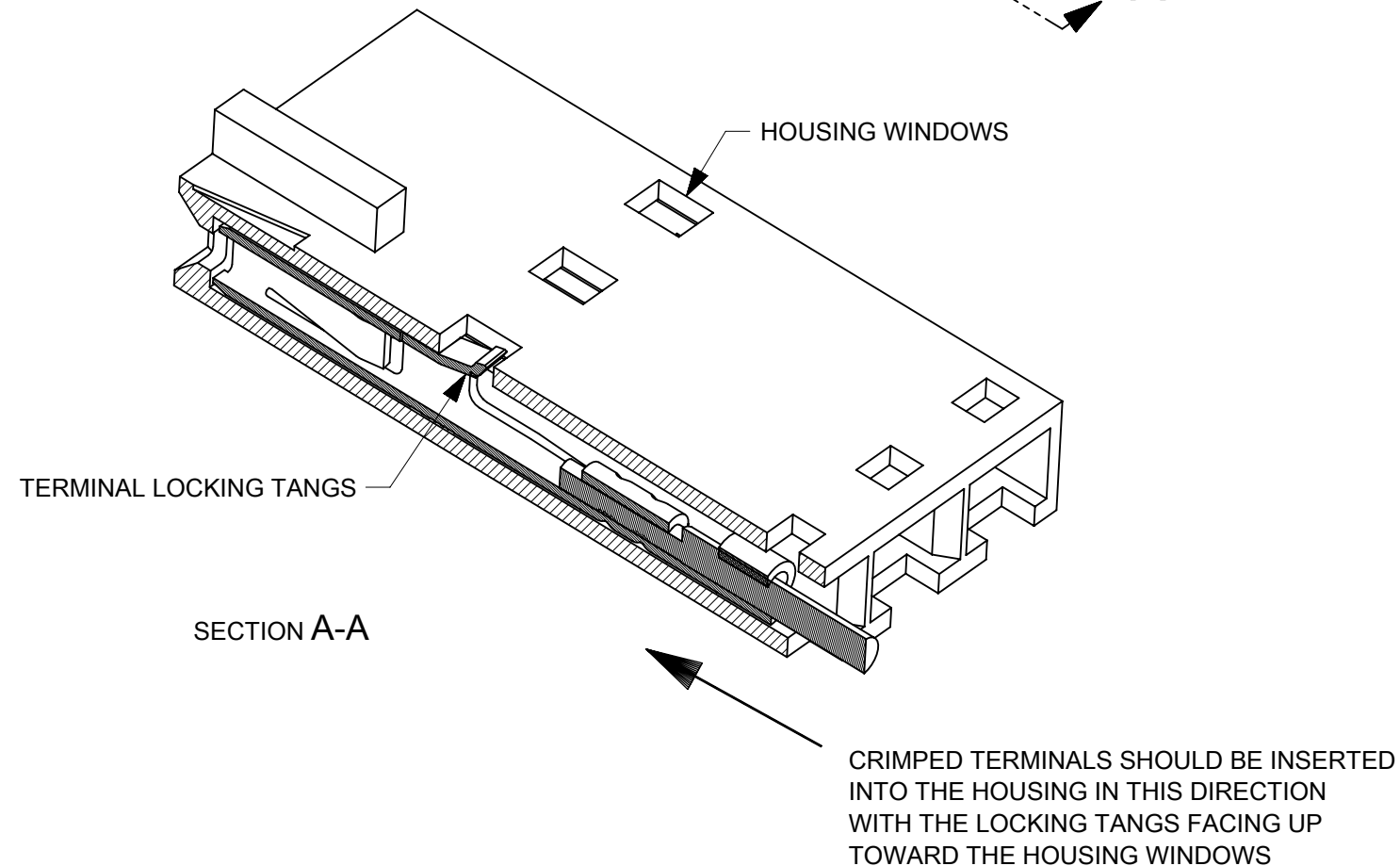
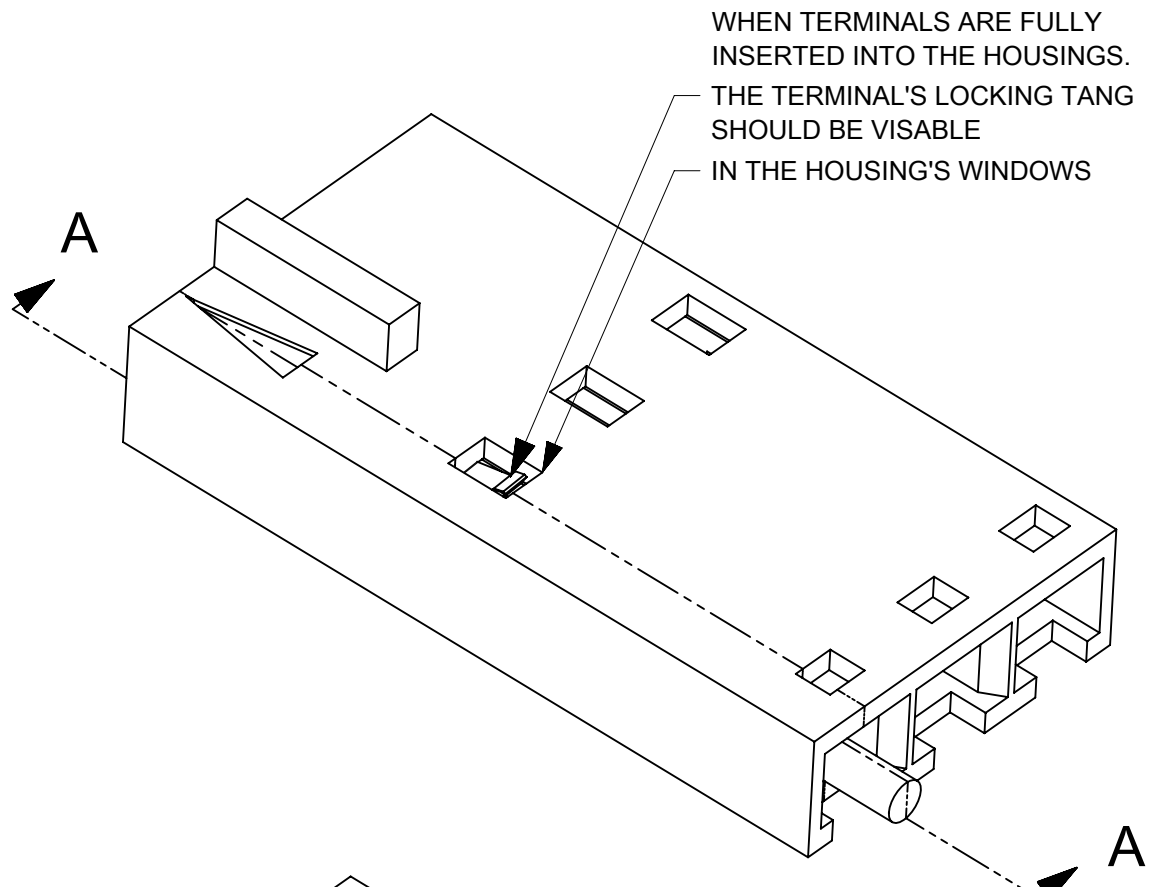
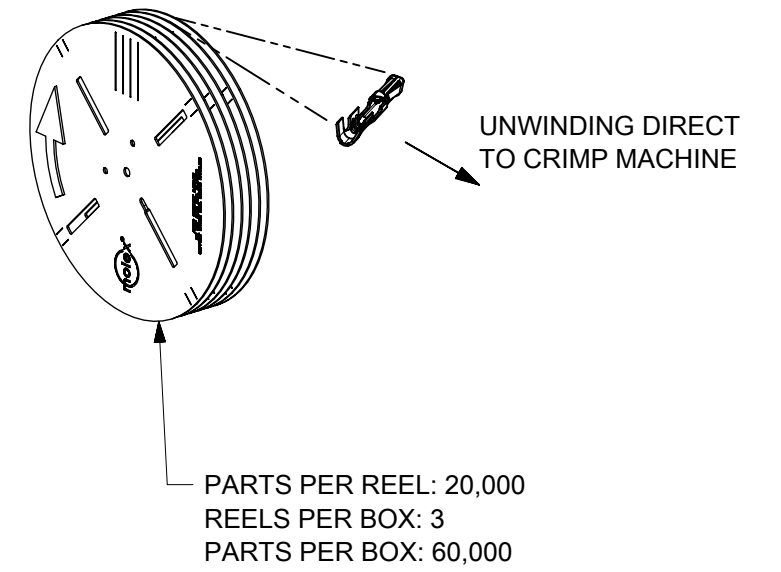
(22-24 AWG WIRE)

SYMBOLS	THIS DRAWING CONTAINS INFORMATION THAT IS PROPRIETARY TO MOLEX ELECTRONIC TECHNOLOGIES, LLC AND SHOULD NOT BE USED WITHOUT WRITTEN PERMISSION		CURRENT REV DESC: GENERIC TOL TYPO CORRECTED		<b>molex</b>			
	DIMENSION UNITS	SCALE						
▽ = 0	mm	8:1	CORRECTED		SL CRIMP TERMINAL			
▽ = 0	GENERAL TOLERANCES (UNLESS SPECIFIED)		EC NO: 648676					
▽ = 0	ANGULAR TOL ± °		DRWN: SMAHAJANSHET 2020/11/05		PRODUCT CUSTOMER DRAWING			
▽ = 0	4 PLACES ±		CHK'D: NCSR 2020/12/01					
▽ = 0	3 PLACES ±		APPR: NCSR 2020/12/01		DOCUMENT NUMBER			
▽ = 0	2 PLACES ± 0.15		INITIAL REVISION:					700580001-SD
▽ = 0	1 PLACE ± 0.25		DRWN: KSAMIEC 2018/07/23		DOC TYPE	DOC PART	REVISION	
▽ = 0	0 PLACES ± 0.0		APPR: FSMITH 2018/08/27		PSD	000	B	
■ = 0	DRAFT WHERE APPLICABLE MUST REMAIN WITHIN DIMENSIONS		THIRD ANGLE PROJECTION	DRAWING	SERIES	MATERIAL NUMBER	CUSTOMER	SHEET NUMBER
▽ = 0				B-SIZE	70058	SEE CHART	GENERAL MARKET	3 OF 4

### LOOSE PACKED



### REEL PACKED



SYMBOLS										THIS DRAWING CONTAINS INFORMATION THAT IS PROPRIETARY TO MOLEX ELECTRONIC TECHNOLOGIES, LLC AND SHOULD NOT BE USED WITHOUT WRITTEN PERMISSION											
DIMENSION UNITS		SCALE		CURRENT REV DESC: GENERIC TOL TYPO CORRECTED										<b>molex</b>							
mm		1:15		EC NO: 648676																	
GENERAL TOLERANCES (UNLESS SPECIFIED)				DRWN: SMAHAJANSHET 2020/11/05										SL CRIMP TERMINAL							
ANGULAR TOL ± °				CHK'D: NCSR 2020/12/01																	
4 PLACES ±				APPR: NCSR 2020/12/01										PRODUCT CUSTOMER DRAWING							
3 PLACES ±				INITIAL REVISION:										DOCUMENT NUMBER		DOC TYPE		DOC PART		REVISION	
2 PLACES ± 0.15				DRWN: KSAMIEC 2018/07/23										700580001-SD		PSD		000		B	
1 PLACE ± 0.25				APPR: FSMITH 2018/08/27										MATERIAL NUMBER		CUSTOMER		SHEET NUMBER			
0 PLACES ± 0.0				DRAFT WHERE APPLICABLE MUST REMAIN WITHIN DIMENSIONS		THIRD ANGLE PROJECTION		DRAWING		SERIES		SEE CHART		GENERAL MARKET		4 OF 4					
▽ = 0		▽ = 0		▽ = 0		▽ = 0		▽ = 0		▽ = 0		▽ = 0		▽ = 0		▽ = 0					