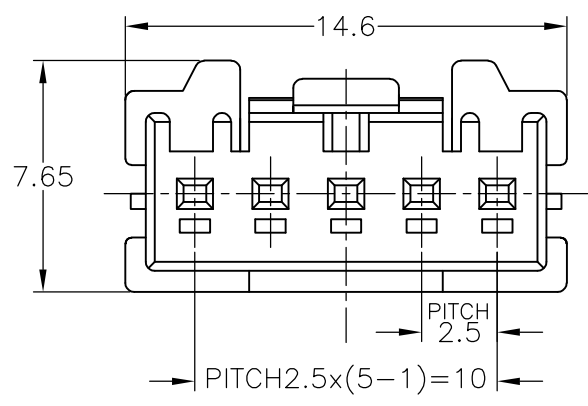
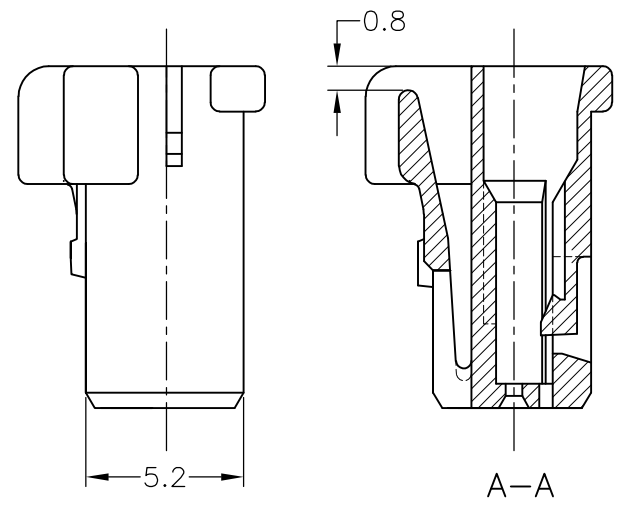
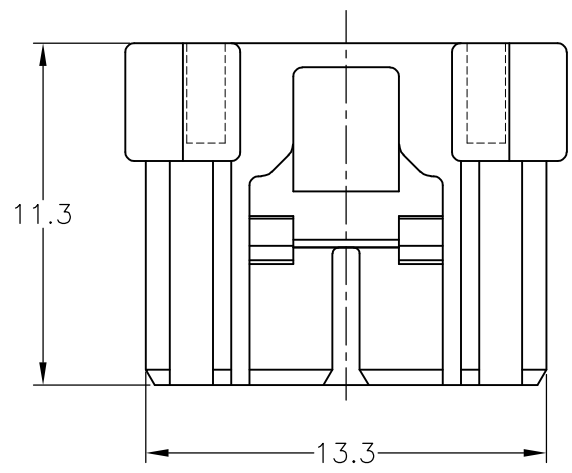
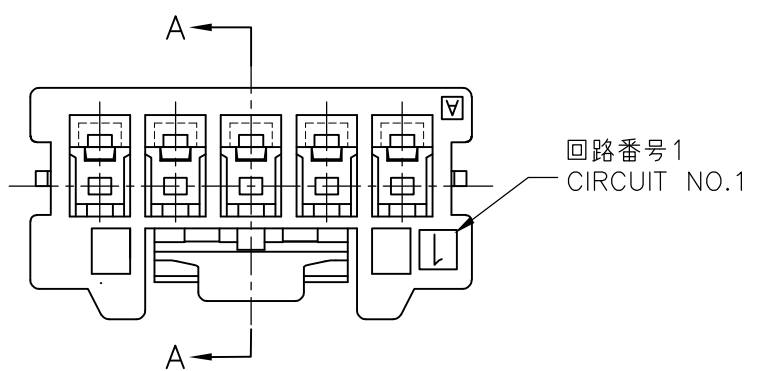
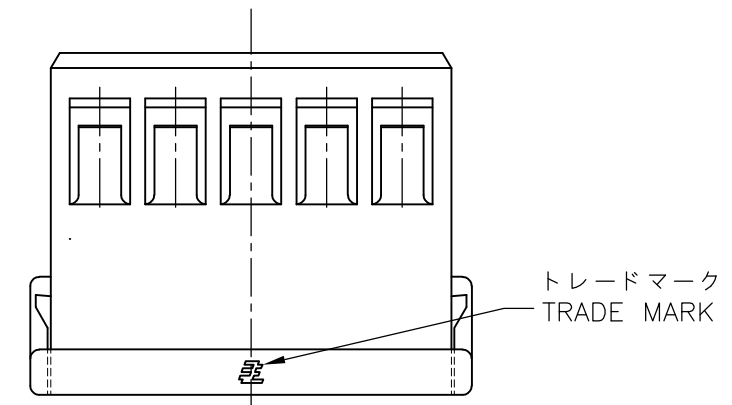


THIS DRAWING IS UNPUBLISHED. RELEASED FOR PUBLICATION JUN , 2009.
 © COPYRIGHT 2009 BY TYCO ELECTRONICS CORPORATION. ALL INTERNATIONAL RIGHTS RESERVED.

LOC	DIST	REVISIONS					
J	/	P	LTR	DESCRIPTION	DATE	DWN	APVD
		B1	REVISED	ECR-10-019260	15SEP2010	T.T	T.M

-1; AS SHOWN



- 1 一般公差: ±0.3, ±3°
- 2 材料: 66ナイロン ガラス強化 (UL94V-0)
- 3 かん合相手製品型番: 表参照のこと。
- 4 適用端子型番: 1747062-1
1747063-1
1747591-1
1827290-1
1871859-1

- 1 GENERAL TOLERANCE: ±0.3, ±3°
- 2 MATERIAL: 66NYLON GF (UL94V-0)
- 3 MATING CONN. P/N: SEE TABLE
- 4 APPLICABLE CONTACT P/N: 1747062-1
1747063-1
1747591-1
1827290-1
1871859-1

1903535-X X-1871843-5 X-1747067-5	5	自然色 (NATURAL)	1554296-1
かん合相手側型番 (MATING CONN P/N)	極数 (POS.)	色調 (COLOR)	型番 (P/N)

THIS DRAWING IS A CONTROLLED DOCUMENT.		DWN T.ENDO 05JUN2009	Tyco Electronics Corporation Kawasaki, Japan	
DIMENSIONS: 単位: 耗 mm		CHK N.YAMASAKI 05JUN2009		
TOLERANCES UNLESS OTHERWISE SPECIFIED: 一般公差		APVD T.KIMURA 05JUN2009	NAME 名称 GRACE INERTIA CONNECTOR 2.5 PLUG HSG 5POS SPECIAL VERSION	
0 PLC ± 1 PLC ± 2 PLC ± 3 PLC ± 4 PLC ± ANGLES ±		PRODUCT SPEC 製品規格 108-5992	SIZE A3	CAGE CODE 00779
MATERIAL 材料 SEE NOTE 2		APPLICATION SPEC 取付適用規格	DRAWING NO 番号 G-1554296	RESTRICTED TO 番号
		WEIGHT	SCALE 尺度 4:1	
		CUSTOMER DRAWING		SHEET 1 OF 1
				REV B1