

6

5

4

3

2

1

E

E

D

D

C

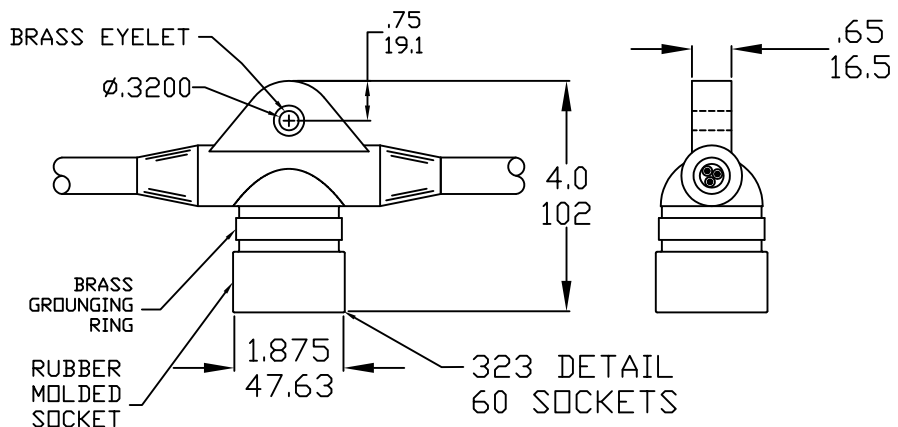
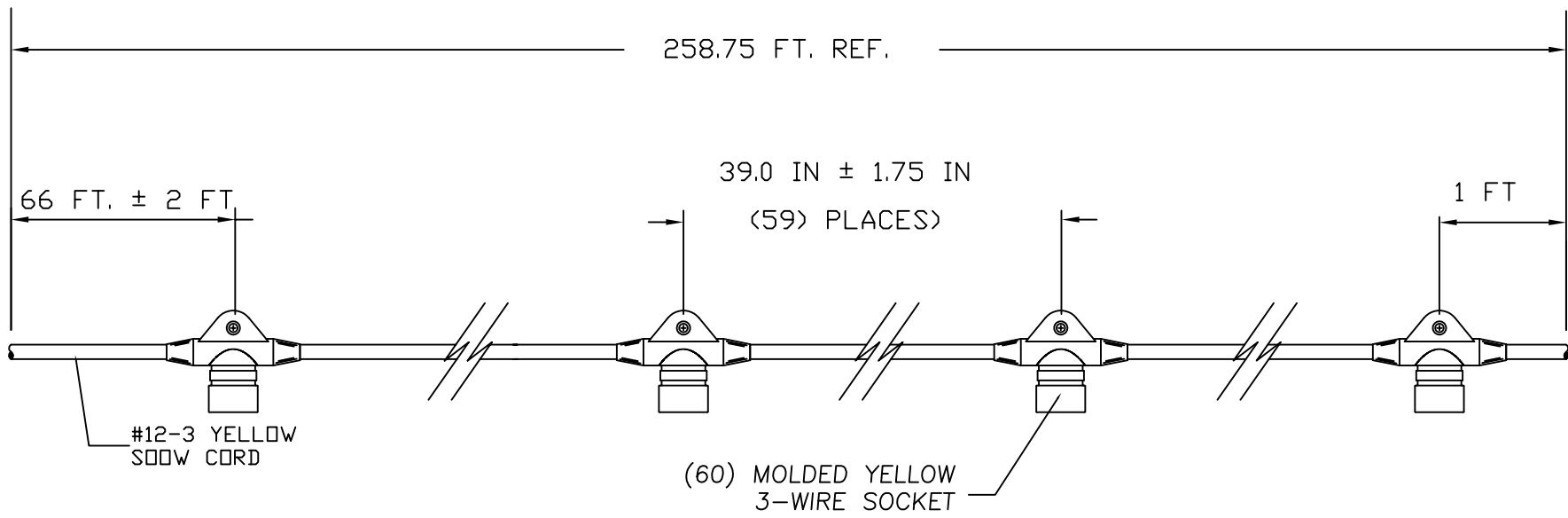
C

B

B

A

A



RELEASE DRAWING EC NO: WNA2010-0739 DRWN: TVICKERS 2010/06/02 CHKD: HK APPR: DTITUS 2010/09/03 REV A	QUALITY SYMBOLS	GENERAL TOLERANCES (UNLESS SPECIFIED)		DIMENSION STYLE IN/MM		SCALE NTS	DESIGN UNITS INCH	THIRD ANGLE PROJECTION
	▽=0	mm	INCH	DRAWN BY TVICKERS	DATE 2010/06/02	TITLE STRINGLIGHT 258.75 FT. (60) 323@39 IN. CENTERS 66 FT. LEAD & 1 FT TAIL		
	∇=0	4 PLACES ±---	±---	CHECKED BY HK	DATE 2010/06/02	MOLEX INCORPORATED		
		3 PLACES ±---	±.005	APPROVED BY DTITUS	DATE 2010/09/02	MATERIAL NO. 1301060161	DOCUMENT NO. SD-130106-018	SHEET NO. 1 OF 1
		2 PLACES ±0.13	±.010	ANGULAR ±.5°		THIS DRAWING CONTAINS INFORMATION THAT IS PROPRIETARY TO MOLEX INCORPORATED AND SHOULD NOT BE USED WITHOUT WRITTEN PERMISSION		
	1 PLACE ±0.25	±.020	DRAFT WHERE APPLICABLE MUST REMAIN WITHIN DIMENSIONS					

6

5

4

3

2

1