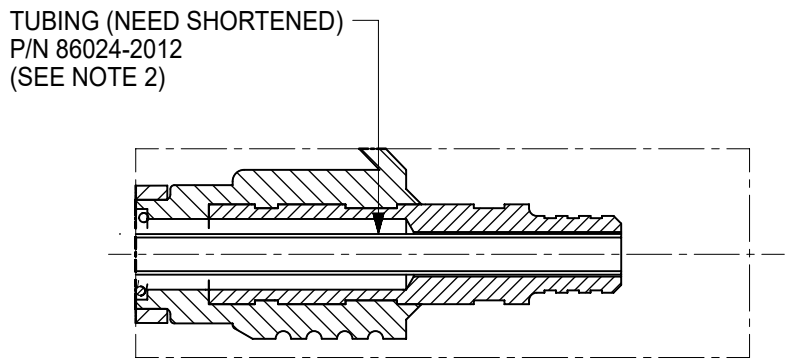
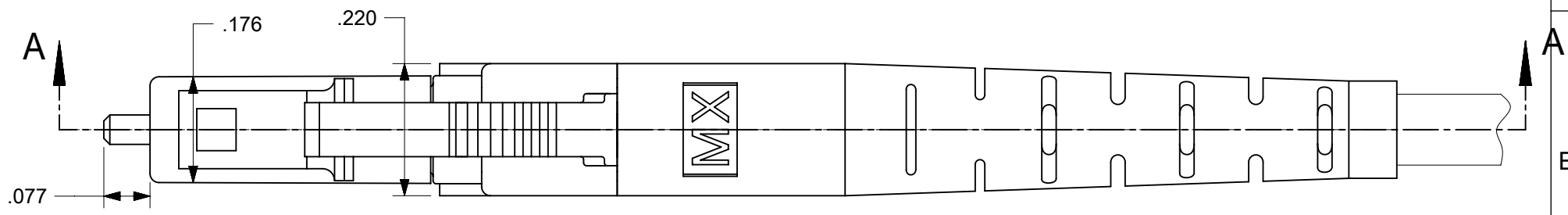
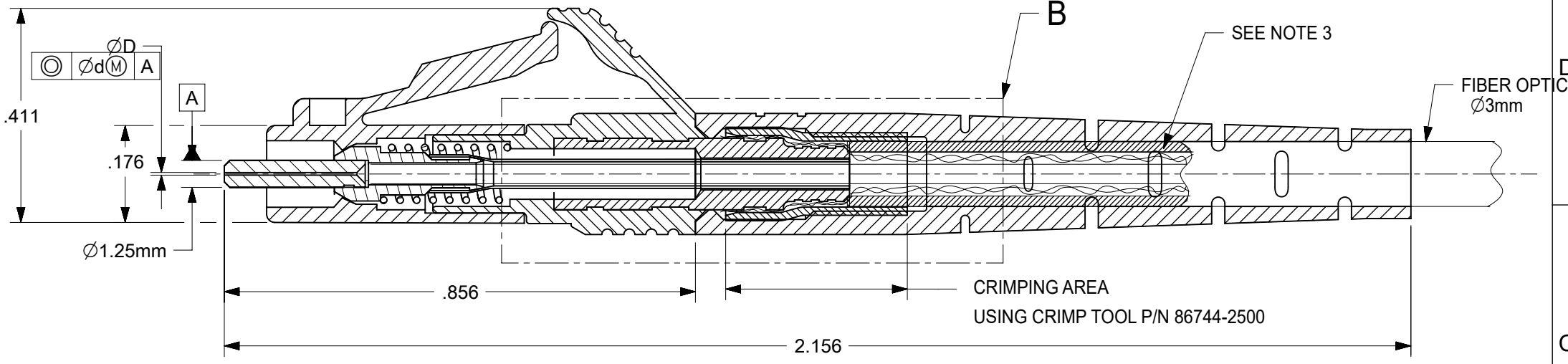


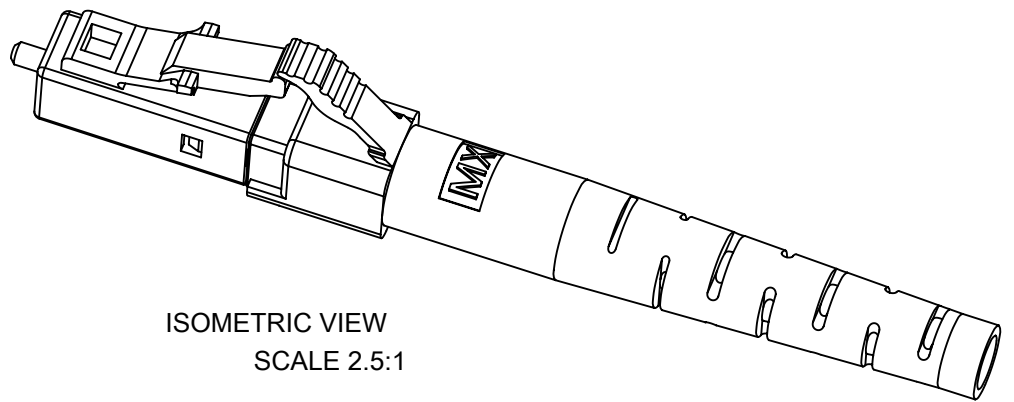
CONNECTOR P/N	ØD (µm)	Ød (µm)	FERRULE MATERIAL	CONN.BODY COLOR	CONN.Boot COLOR	CABLE TYPE
106024-2250	125.5	1	ZR	BLUE	WHITE	SINGLE MODE
106024-3250	127	3		BEIGE		MUTIMODE
106024-3260	127	1		BLUE		SINGLE MODE
106024-4250	125					
106024-5250	126					
106024-5251	126	0.5	LOW COST ZR	BEIGE	MUTIMODE	
106024-6250	125.25				BLUE	SINGLE MODE
106024-2270	125.5	3				
106024-3259	127	1				
106024-5259	126					



DETAIL B
BOOT (ITEM 2) AND CRIMP TUBING (ITEM 3)
ARE NOT SHOWN



SECTION A-A



ISOMETRIC VIEW
SCALE 2.5:1

- NOTES:
1. ALL DIMENSION ARE FOR REFERENCE ONLY.
 2. DUST CAP NOT SHOWN.
 3. P/N 106024-5251 AND 106024-3260 ARE BULK PACKAED IN QUANTITY OF 100 PIECES.
 4. TUBING (SEE DETAIL B) MUST BE SHORTENED AFTER FILLING THE EPOXY ACCORDING TO THE TERMINATION PROCEDURE P/N PS-86028-2000

THIS DRAWING CONTAINS INFORMATION THAT IS PROPRIETARY TO MOLEX ELECTRONIC TECHNOLOGIES, LLC AND SHOULD NOT BE USED WITHOUT WRITTEN PERMISSION									
DIMENSION UNITS	SCALE	CURRENT REV DESC:							
INCH	4:1								
GENERAL TOLERANCES (UNLESS SPECIFIED)		EC NO: 695254			LC CONNECTOR 3MM CABLE APPLICATION				
ANGULAR TOL	± 0.5°	DRWN: JHUANG18 2022/02/16			PRODUCT CUSTOMER DRAWING				
4 PLACES	±	CHKD: IGUMIN 2022/04/29			DOCUMENT NUMBER				
3 PLACES	±	APPR: IGUMIN 2022/04/29			SD-106024-X250				
2 PLACES	±	INITIAL REVISION:			DOC TYPE				
1 PLACE	±	DRWN: PGIBLIN 2006/02/07			PSD				
0 PLACES	±	APPR: IGUMIN 2006/02/07			DOC PART				
DRAFT WHERE APPLICABLE MUST REMAIN WITHIN DIMENSIONS		THIRD ANGLE PROJECTION	DRAWING	SERIES	MATERIAL NUMBER	CUSTOMER	REVISION		
			B-SIZE	106024	SEE TABLE	GENERAL MARKET	001	B2	1 OF 1