

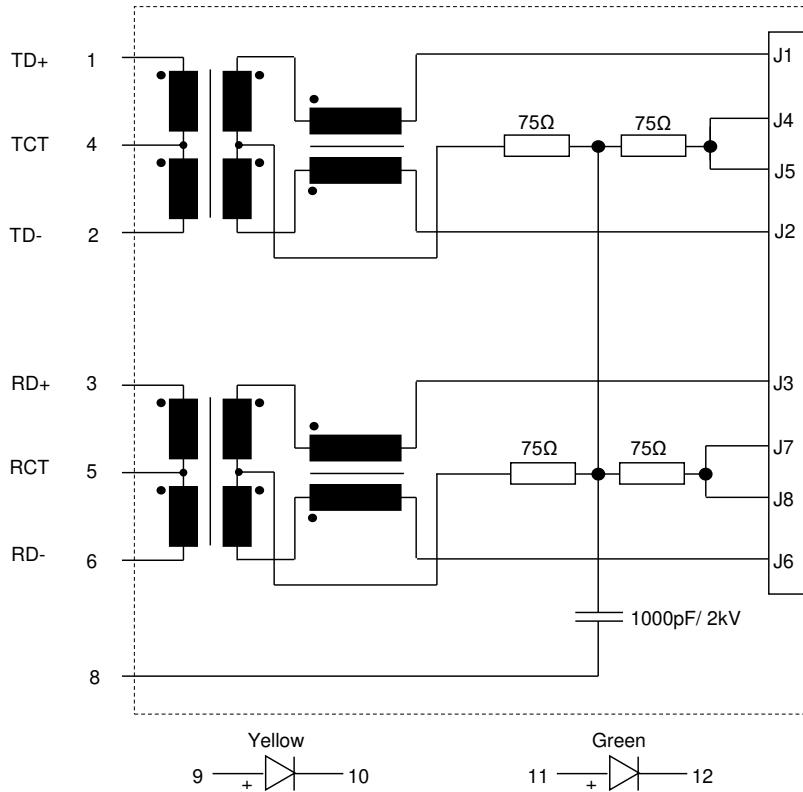
Spezifikation für Freigabe / specification for release

Kunde / customer :
 Artikelnummer / part number : **7499021125**
 Bezeichnung : **LAN-Übertrager WE-RJ45LAN 100BASE-TX**
 description : **LAN-Transformer WE-RJ45LAN 100BASE-TX**



DATUM / DATE : 2023-06-06

H Schaltbild / Schematics :



Freigabe erteilt / general release:	Kunde / customer		
Datum / date	Unterschrift / signature	SLa	Rev 05
	Würth Elektronik	LuRa	Rev 04
		LiLa	Rev 03
		LuRa	Rev 02
		Mle	Rev 01
		KSC	Rev 00
Geprüft / checked	Kontrolliert / approved	Name	Änderung / modification
			Datum / date

Würth Elektronik eiSos GmbH & Co.KG

D-74638 Waldenburg · Max-Eyth-Straße 1 - 3 · Germany · Telefon (+49) (0) 7942 - 945 - 0 · Telefax (+49) (0) 7942 - 945 - 400
<http://www.we-online.com>

Spezifikation für Freigabe / specification for release

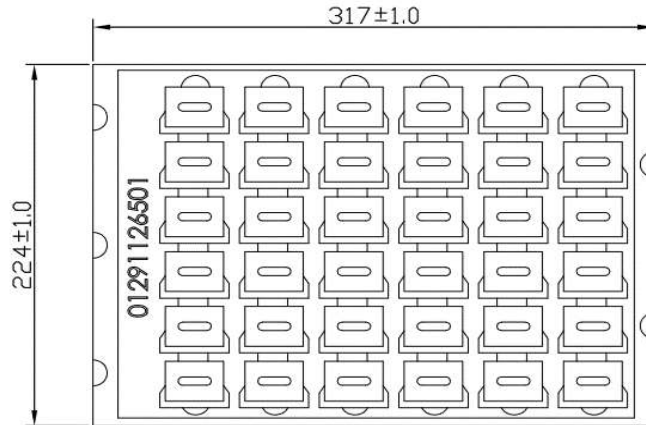
Kunde / customer :
 Artikelnummer / part number : **7499021125**
 Bezeichnung : **LAN-Übertrager WE-RJ45LAN 100BASE-TX**
 description : **LAN-Transformer WE-RJ45LAN 100BASE-TX**



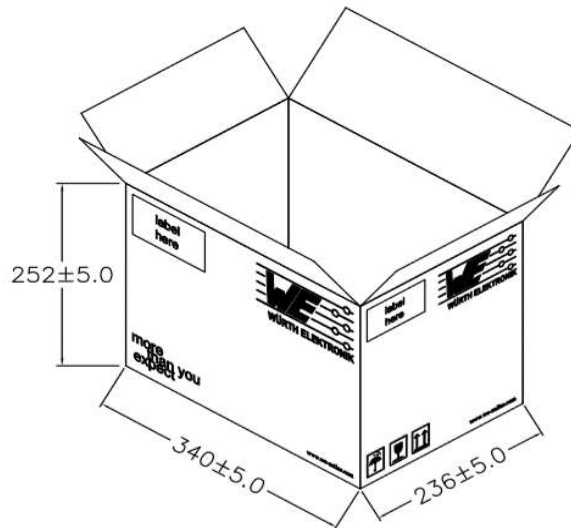
DATUM / DATE : 2023-06-06

I Verpackungsspezifikation / package specification :

Tray:



Carton:



Packing Quantity:

tray= 36 pcs
 carton= 360 pcs

dimensions in mm

Freigabe erteilt / general release:	Kunde / customer		
.....	SLa	Rev 05
Datum / date	Unterschrift / signature	LuRa	Rev 04
.....	Würth Elektronik	LiLa	Rev 03
.....	LuRa	Rev 02
Geprüft / checked	Kontrolliert / approved	Mle	Rev 01
.....	KSC	Rev 00
		Name	Änderung / modification
			Datum / date

This electronic component has been designed and developed for usage in general electronic equipment. Before incorporating this component into any equipment where higher safety and reliability is especially required or if there is the possibility of direct damage or injury to human body, for example in the range of aerospace, aviation, nuclear control, submarine, transportation, (automotive control, train control, ship control), transportation signal, disaster prevention, medical, public information network etc. Würth Elektronik eiSos GmbH must be informed before the design-in stage. In addition, sufficient reliability evaluation checks for safety must be performed on every electronic component which is used in electrical circuits that require high safety and reliability functions or performance.

Würth Elektronik eiSos GmbH & Co.KG

D-74638 Waldenburg · Max-Eyth-Straße 1 · 3 · Germany · Telefon (+49) (0) 7942 - 945 - 0 · Telefax (+49) (0) 7942 - 945 - 400
<http://www.we-online.com>