

## Cover - EG 90-AG/ABS GN - 2907389

Please be informed that the data shown in this PDF Document is generated from our Online Catalog. Please find the complete data in the user's documentation. Our General Terms of Use for Downloads are valid (<http://phoenixcontact.com/download>)



Housing cover, closed

Illustration shows a fully mounted version of the electronic housing

### Product Features

- Tool-free mounting
- Fast snap-on mounting on symmetrical DIN rails according to EN 60715
- Practical and easy-to-wire conductor connection using extra finely stranded sturdy screw terminal blocks up to 2.5 mm<sup>2</sup>
- Optimum accommodation of electronic components with graded pitches with a design width of 22.5 mm, 45 mm, 67.5 mm, and 90 mm
- Functional and industry-oriented housing technology
- Date of manufacture and material and part identification embossed on the housing (recyclability)
- Shock and contamination-proof accommodation of electronic components (IP40 housing, IP20 terminal blocks)



### Key commercial data

Packing unit	1 pc
Weight per Piece (excluding packing)	30.9 GRM
Custom tariff number	85369010
Country of origin	Germany

### Technical data

#### General

Housing type	Component housing
Color	green

#### Dimensions

Constructional height	17.5 mm
Width	90 mm

#### Technical data

# Cover - EG 90-AG/ABS GN - 2907389

## Technical data

### Technical data

Number of positions	34
---------------------	----

## Classifications

### eCl@ss

eCl@ss 4.0	27180401
eCl@ss 4.1	27180401
eCl@ss 5.0	27180506
eCl@ss 5.1	27180506
eCl@ss 6.0	27180802
eCl@ss 7.0	27182702
eCl@ss 8.0	27182702

### ETIM

ETIM 2.0	EC001031
ETIM 3.0	EC001031
ETIM 4.0	EC001031
ETIM 5.0	EC000886

### UNSPSC

UNSPSC 6.01	31261501
UNSPSC 7.0901	31261501
UNSPSC 11	31261501
UNSPSC 12.01	31261501
UNSPSC 13.2	31261501

## Approvals

### Approvals

---

Approvals

UL Recognized

---

Ex Approvals

---

Approvals submitted

# Cover - EG 90-AG/ABS GN - 2907389

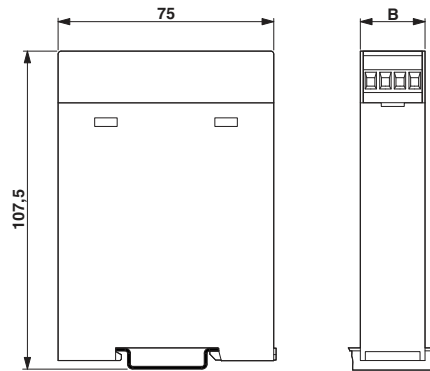
## Approvals

### Approval details



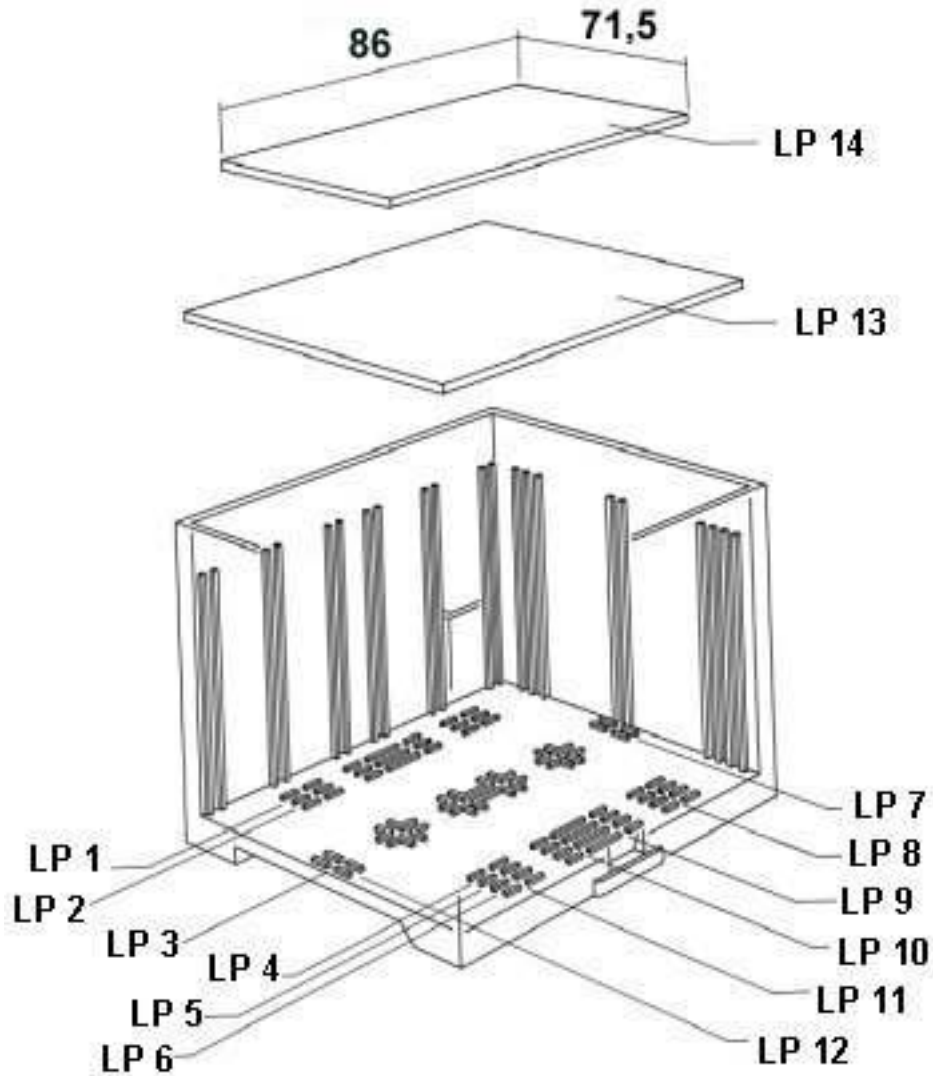
## Drawings

Dimensioned drawing



# Cover - EG 90-AG/ABS GN - 2907389

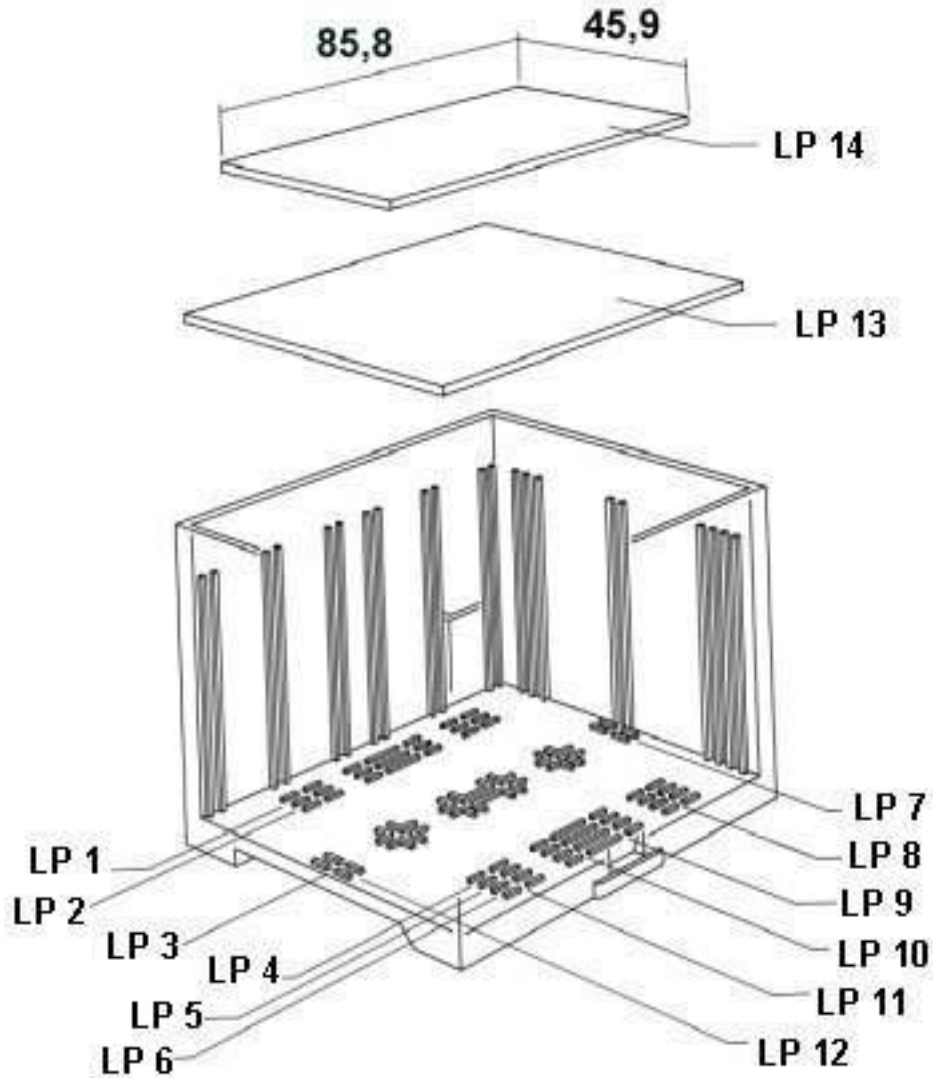
Explosion drawing



valid for PCB 13

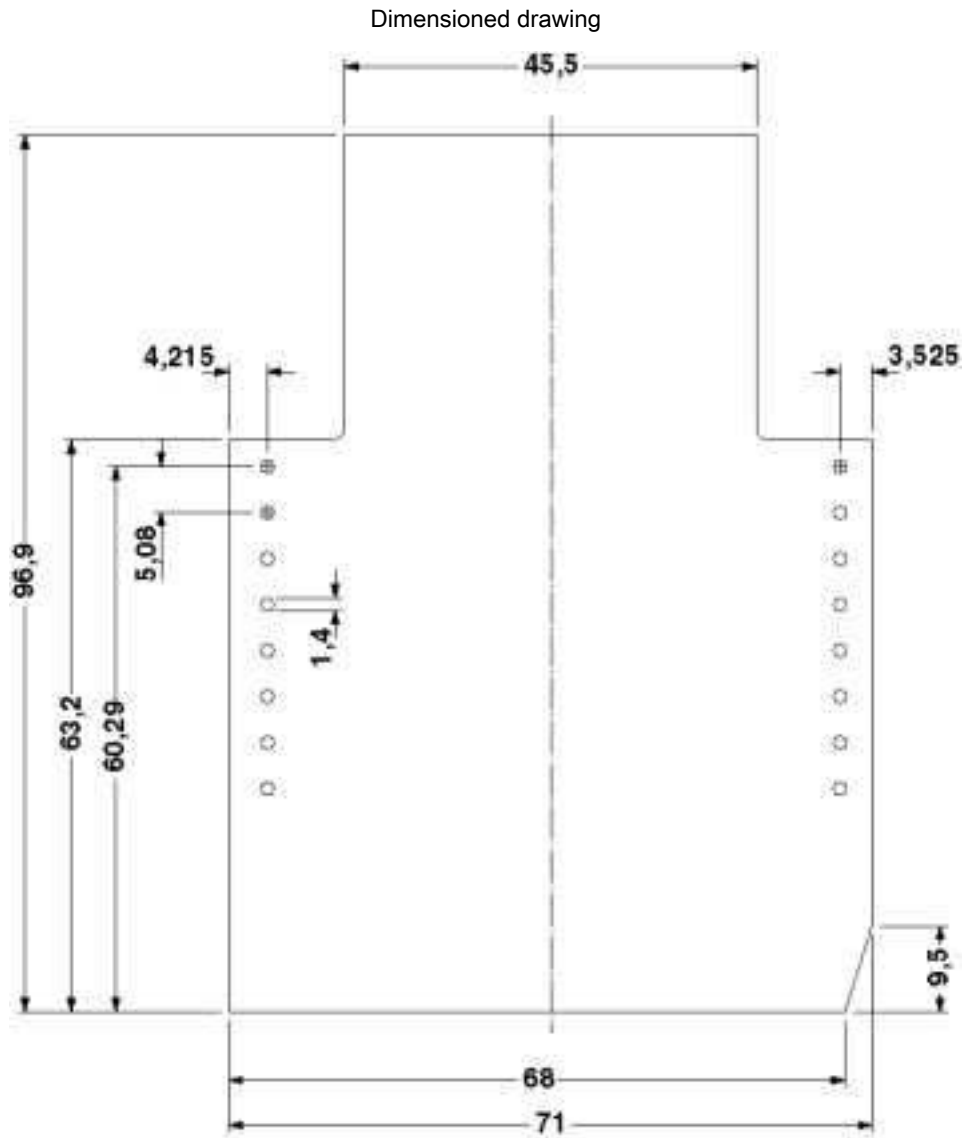
# Cover - EG 90-AG/ABS GN - 2907389

Explosion drawing



valid for PCB 14

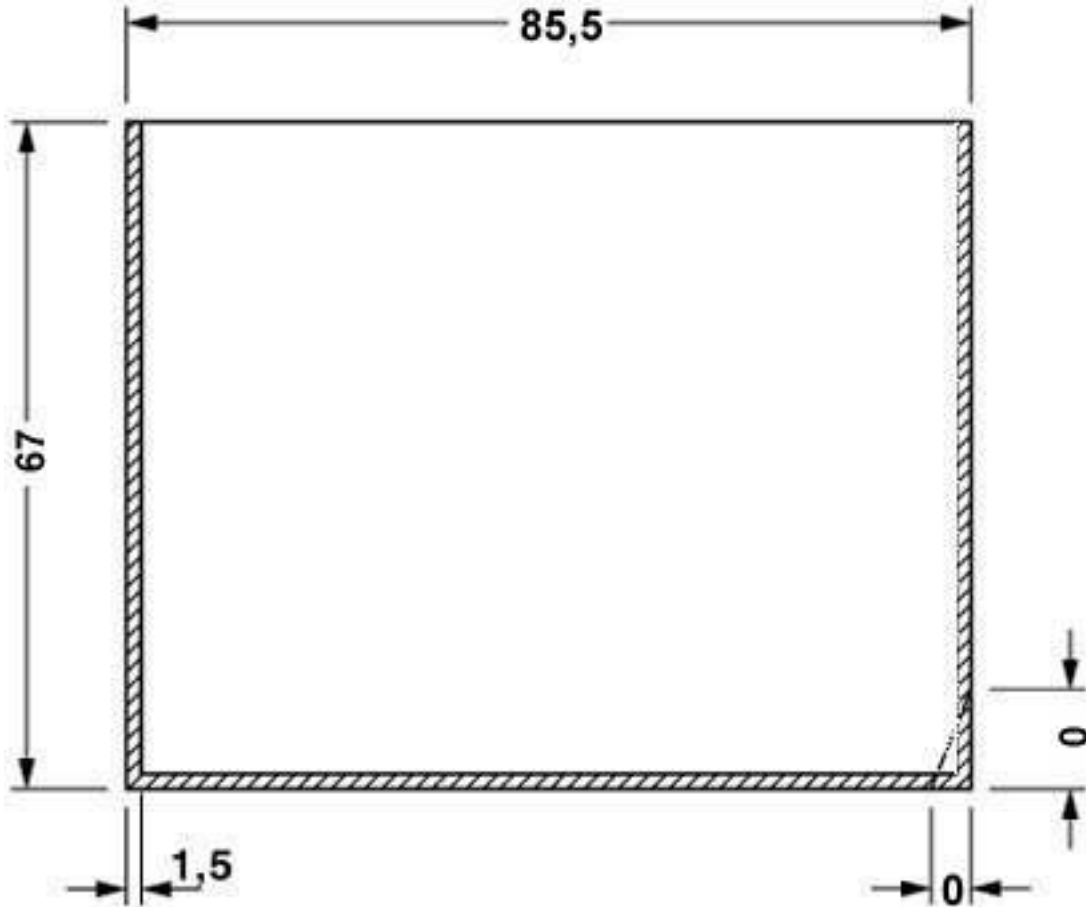
# Cover - EG 90-AG/ABS GN - 2907389



Component mounting side, if the double-level upper part is used

# Cover - EG 90-AG/ABS GN - 2907389

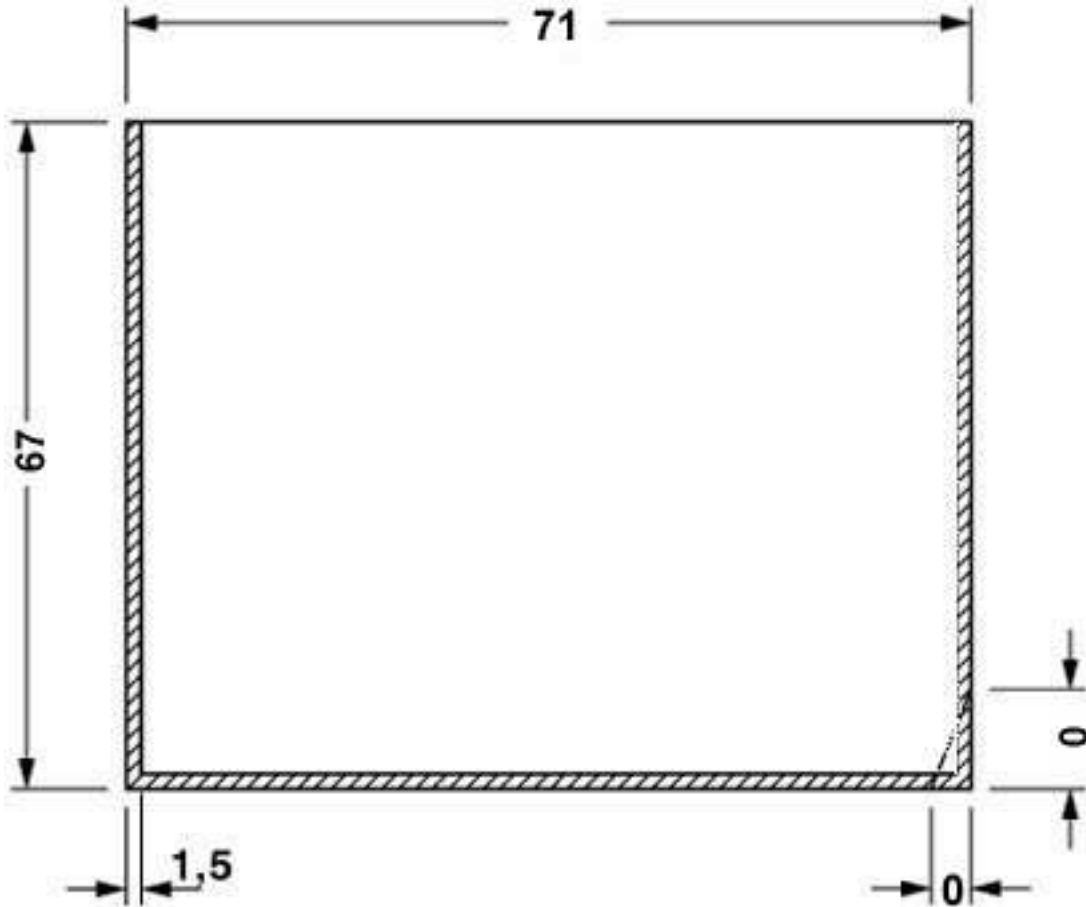
Dimensioned drawing



valid for PCB 1; 2; 3; 4; 5 und 6, see explosion drawing

# Cover - EG 90-AG/ABS GN - 2907389

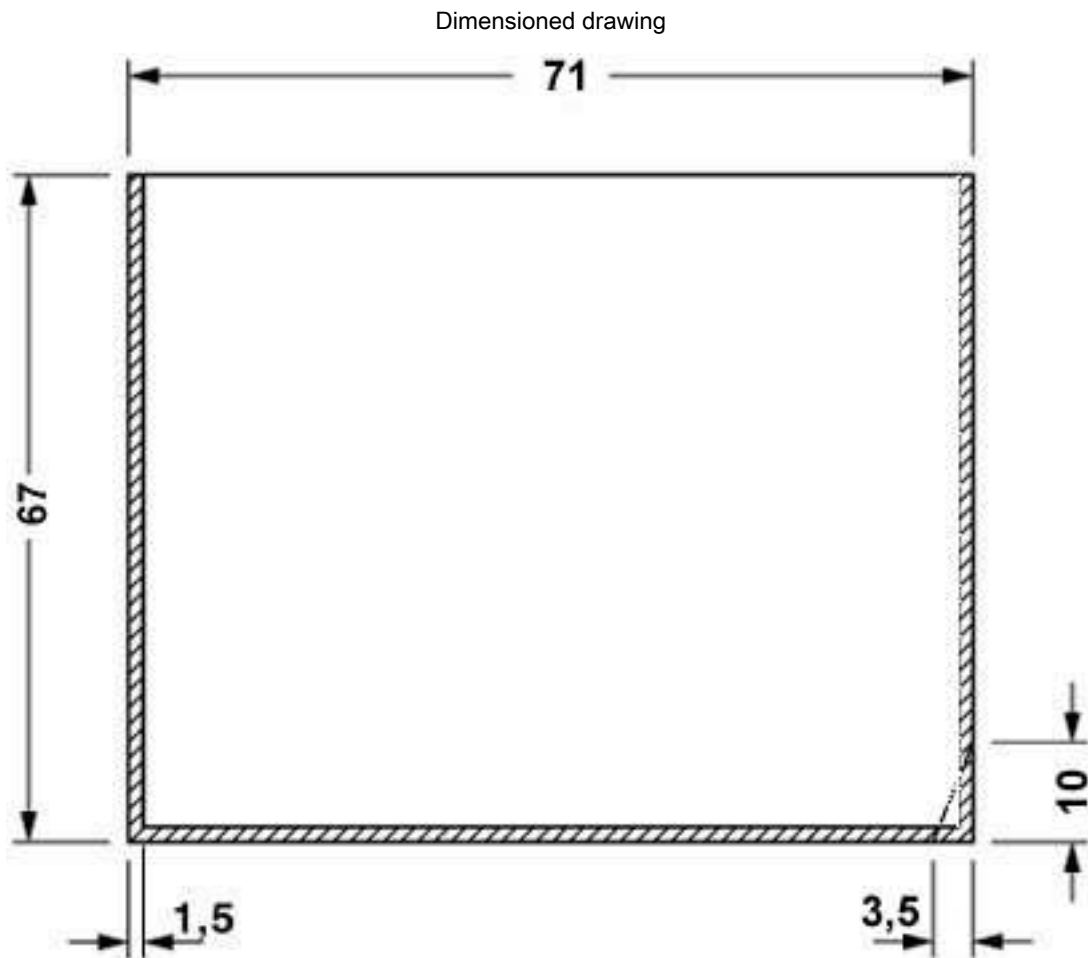
Dimensioned drawing



valid for PCB 7; 8; 11 and 12, see explosion drawing



## Cover - EG 90-AG/ABS GN - 2907389



valid for PCB 9 and 10, see explosion drawing