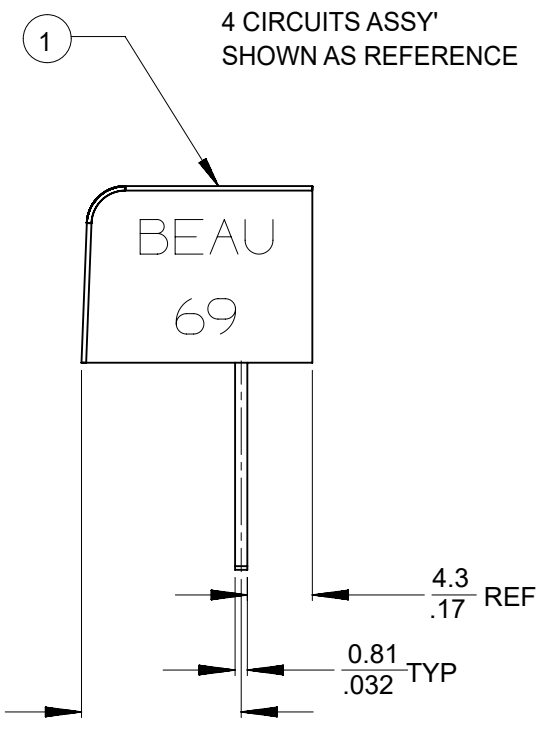
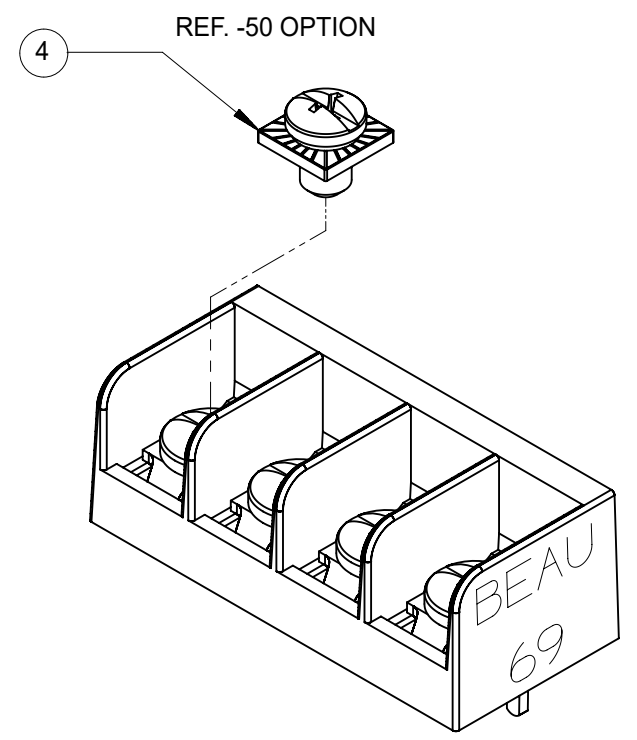
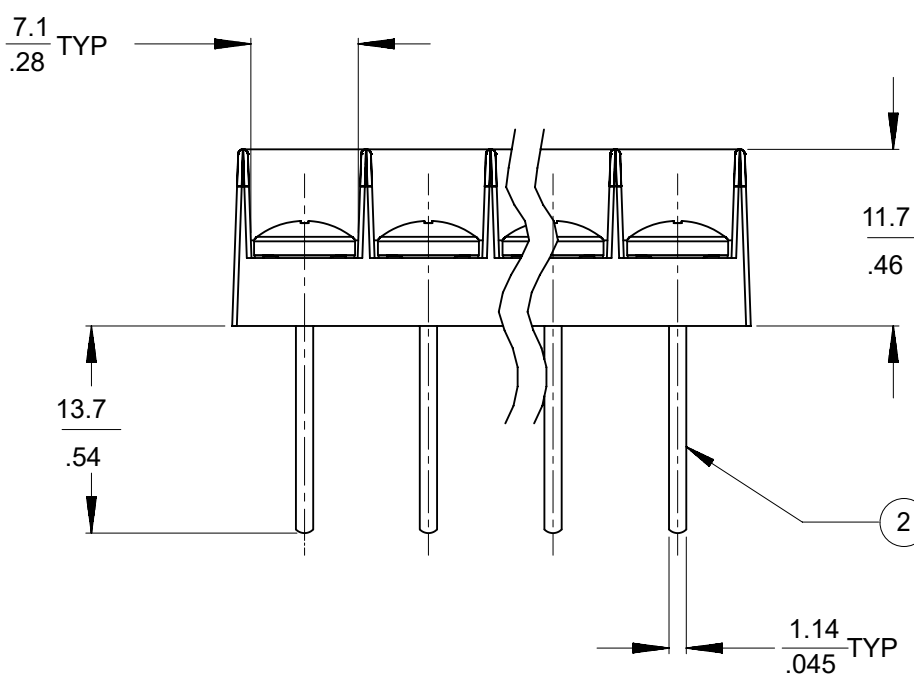
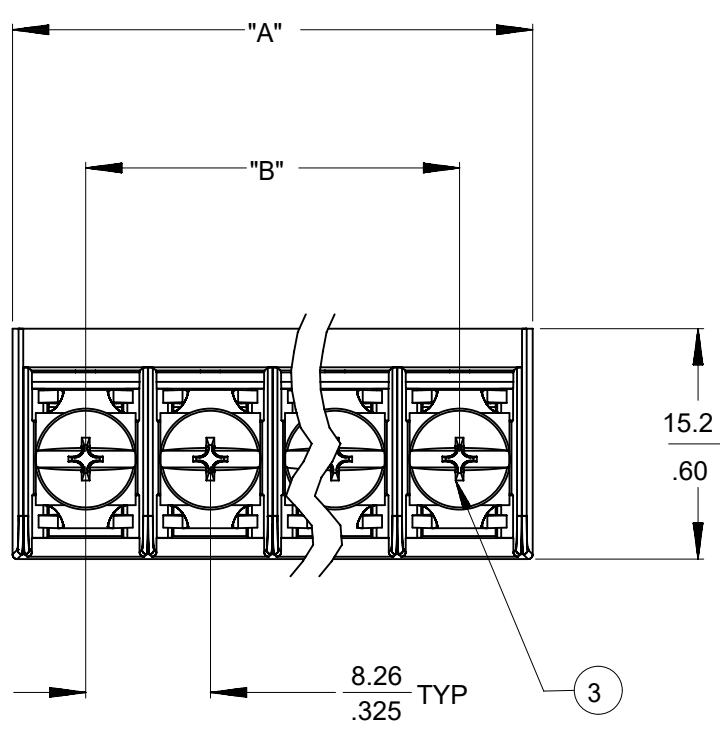


NO. OF CIRCUITS	DIM. "A"		DIM. "B"		ASSEMBLY MATERIAL NO. (STANDARD)	ASSEMBLY MATERIAL NO. (-50 OPT)
	mm	in	mm	in		
03	26.2	1.03	16.5	.65		386913503
06	50.9	2.01	41.3	1.63		386913506
08	67.4	2.66	57.8	2.28	386912308	
21	174.8	6.88	165.1	6.50		386913521



NOTES:  
 1. MATERIAL: SEE TABLE  
 2. FINISHES: SEE TABLE.  
 3. "XX" REFERS TO THE QUANTITY OF CIRCUITS.  
 4. ROHS COMPLIANT.

4	XX	SCREW #6-32X.155 PAN PHS LZN/BR/STEEL -50	STEEL	ZN, CLEAR CHROMATE
3	XX	SCREW #6-32X.160 PAN PHS LNI/BRASS (STD)	BRASS	NICKEL PLATE
2	XX	TERMINAL, PC	BRASS	TIN PLATE
1	1	INSULATOR	POLYESTER (PBT)	BLACK
ITEM	QTY.	DESCRIPTION	MATERIAL NO.	ENGINEERING NO.

DOCUMENT STATUS	P1	RELEASE DATE	2022/11/30	11:33:20
-----------------	----	--------------	------------	----------

THIS DRAWING CONTAINS INFORMATION THAT IS PROPRIETARY TO MOLEX ELECTRONIC TECHNOLOGIES, LLC AND SHOULD NOT BE USED WITHOUT WRITTEN PERMISSION											
FUNCTIONAL SYMBOLS	THIS DRAWING CONTAINS INFORMATION THAT IS PROPRIETARY TO MOLEX ELECTRONIC TECHNOLOGIES, LLC AND SHOULD NOT BE USED WITHOUT WRITTEN PERMISSION	SCALE		CURRENT REV DESC: OBSOLETE PART NUMBERS AS PER PCN#510807							
	MM/IN	2:1									
DIVISIONAL SYMBOLS	GENERAL TOLERANCES (UNLESS SPECIFIED)			EC NO: 726454							
	4 PLACES	±		DRWN: LIKITV 2022/10/20							
	3 PLACES	±	0.005	CHK'D: GGA 2022/11/30							
	2 PLACES	±	0.13	APPR: GGA 2022/11/30							
	1 PLACE	±	0.3	INITIAL REVISION:							
	0 PLACES	±		DRWN: AHIDALGO 2007/04/02							
	ANGULAR TOL	±	2.0°	APPR: JMACNEIL 2012/06/01							
DRAFT WHERE APPLICABLE MUST REMAIN WITHIN DIMENSIONS			THIRD ANGLE PROJECTION	DRAWING	SERIES	MATERIAL NUMBER	CUSTOMER	DOCUMENT NUMBER	DOC TYPE	DOC PART	REVISION
				B-SIZE	38691	SEE CHART	GENERAL MARKET	SD-38691-002	PSD	001	A1
											SHEET NUMBER
											1 OF 1