

SPECIFICATION FOR APPROVAL

CUSTOMER :

DESCRIPTION : DC BRUSHLESS FAN

DIMENSIONS : 50X50X10 mm

MODEL : KDE0505PFS3-8

APPROVED NO :

APPROVED BY :
(AUTHORIZED)



| | | | | | | | |
|-------|-------------|-------|--------------------|-------|--------------------|-------------|------------|
| DAWN. | 張育真 3/16 | CHKD. | <i>[Signature]</i> | APPD. | <i>[Signature]</i> | SPEC. NO. | 052358300 |
| | | | | | | ISSUE DATE | 01.16.1996 |
| | | | | | | EDITION | 0 |
| | | | | | | REVISE DATE | |

建準電機工業股份有限公司
 SUNONWEALTH ELECTRIC MACHINE INDUSTRY CO., LTD.
 12FL., 120 CHUNG CHENG 1ST RD., TEL:886-7-7163069(41 LINES)
 KAOHSIUNG, TAIWAN, R. O. C. FAX:886-7-7163086~89

DC BRUSHLESS FAN

MODEL: KDE0505PFS3-8

CHARACTERISTICS

- 1. Motor Design : Patented single-coil DC brushless 8 poles motor design.
- 2. Insulation Resistance : More than 500M ohm between internal stator and lead wire(+) measured by DC 500V.
- 3. Dielectric Strength : Applied AC 500V for one minute or AC 600V for 2 seconds between housing and lead wire(+)
- 4. Noise Level : Measured in an semi-anechoic chamber with background noise level below 15 dBA. The fan is running in free air with microphone at a distance of one meter from the fan intake.
- 5. Input power , Current & Speed : Measured after continuous 30 minutes operation at rated voltage in clean air at ambient temperature of 25 degrees C.
- 6. Tolerances : +-15% on rated power and current
- 7. Motor Protection : Polarity protected & Locked rotor protected.
- 8. Air Performance : Measured by a double chamber. The value are recorded when the fan speed is stabilized at rated voltage.



| | | | | |
|---|------------|--------------|-------------|---|
| 建準電機工業股份有限公司 SUNONWEALTH ELECTRIC MACHINE INDUSTRY CO., LTD | SPEC. NO. | 052358300 | REVISE DATE | |
| | ISSUE DATE | 01. 16. 1996 | EDITION | 0 |
| | PAGE | 2 OF 5 | | |

SPECIFICATIONS

MODEL: KDE0505PFS3-8

- 1-1. Rated Voltage : 5 VDC
- 1-2. Operating Voltage Range : 4-6 VDC
- 1-3. Starting Voltage : 4 VDC
- 1-4. Rated Speed : 3500 RPM±700 RPM
- 1-5. Air Delivery : 7 CFM
- 1-6. Static Pressure : 0.065 Inch-H₂O
- 1-7. Rated Current : 0.09 AMP
- 1-8. Rated Power : 0.4 WATTS
- 1-9. Noise Level : 21 dB(A)
- 1-10. Direction of Rotation : Clockwies viewed from front face
- 1-11. Operating Temperature : -10 to +70 Deg.C
- 1-12. Storage Temperature : -40 to +80 Deg.C
- 1-13. Bearing System : Lubricated sleeve bearing system
- 1-14. Weight : 24g
- 1-15. Safety : UL/CUR Approvals

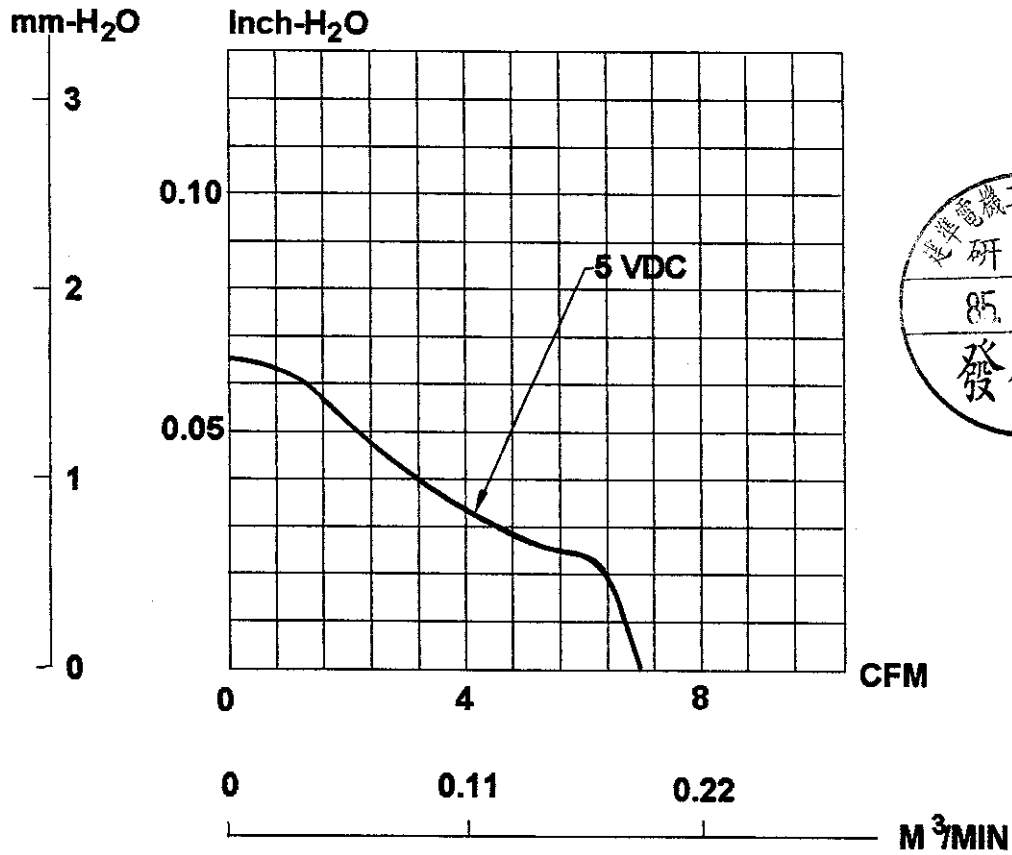


| | | | | |
|--|------------|--------------|-------------|---|
| 建準電機工業股份有限公司 SUNONWEALTH ELECTRIC MACHINE INDUSTRY CO., LTD. | SPEC. NO. | 052358300 | REVISE DATE | |
| | ISSUE DATE | 01. 16. 1996 | EDITION | 0 |
| | PAGE | 3 OF 5 | | |

MODEL: KDE0505PFS3-8

PERFORMANCE CURVES

STATIC PRESSURE



| | | | | |
|--|------------|--------------|-------------|---|
| 建準電機工業股份有限公司 SUNONWEALTH ELECTRIC MACHINE INDUSTRY CO., LTD. | SPEC. NO. | 052358300 | REVISE DATE | |
| | ISSUE DATE | 01. 16. 1996 | EDITION | 0 |
| | PAGE | 4 OF 5 | | |

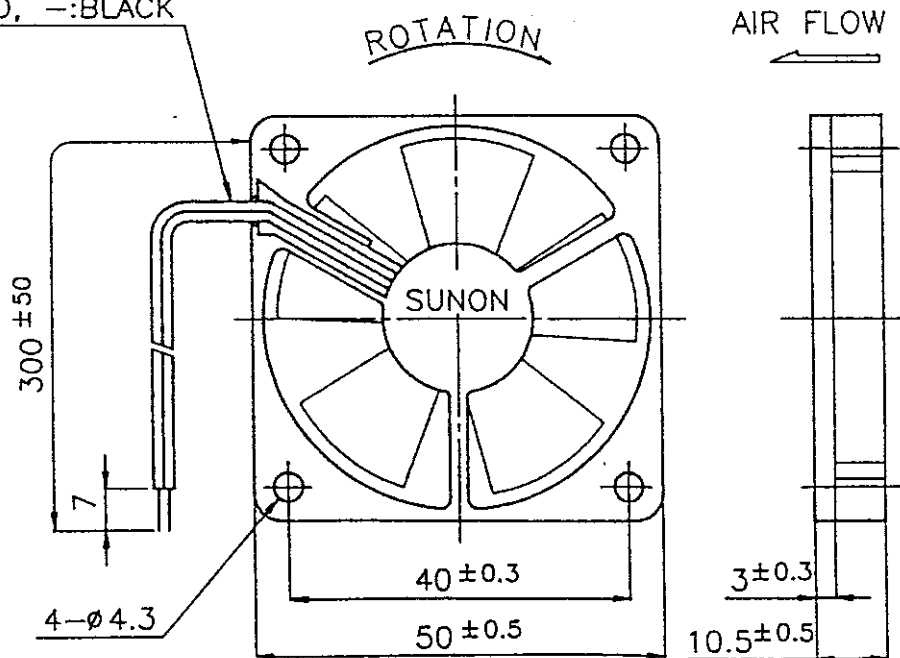
MATERIAL

- 2-1. Frame : Thermoplastic PBT of UL 94V-0
- 2-2. Impeller : Thermoplastic PBT of UL 94V-0
- 2-3. Bobbin : Thermoplastic PBT of UL 94V-0
- 2-4. Lead Wire : UL2468, 26AWG, +:RED ; -:BLACK

DIMENSIONS



UL2468 #26AWG
+:RED, -:BLACK



UNIT : mm

| | | | | |
|--|------------|--------------|-------------|---|
| 建準電機工業股份有限公司 SUNONWEALTH ELECTRIC MACHINE INDUSTRY CO., LTD. | SPEC. NO. | 052358300 | REVISE DATE | |
| | ISSUE DATE | 01. 16. 1996 | EDITION | 0 |
| | PAGE | 5 OF 5 | | |