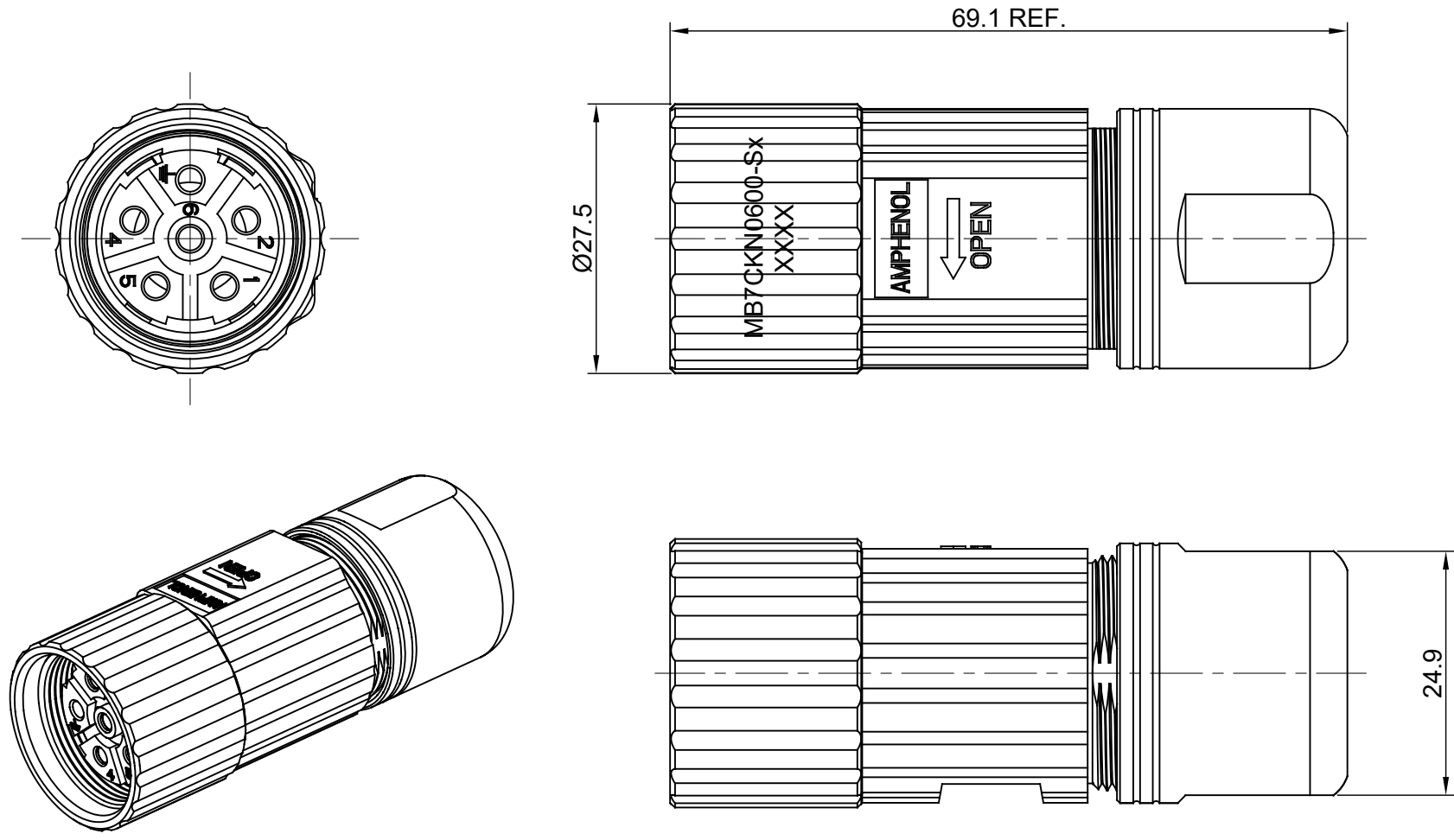
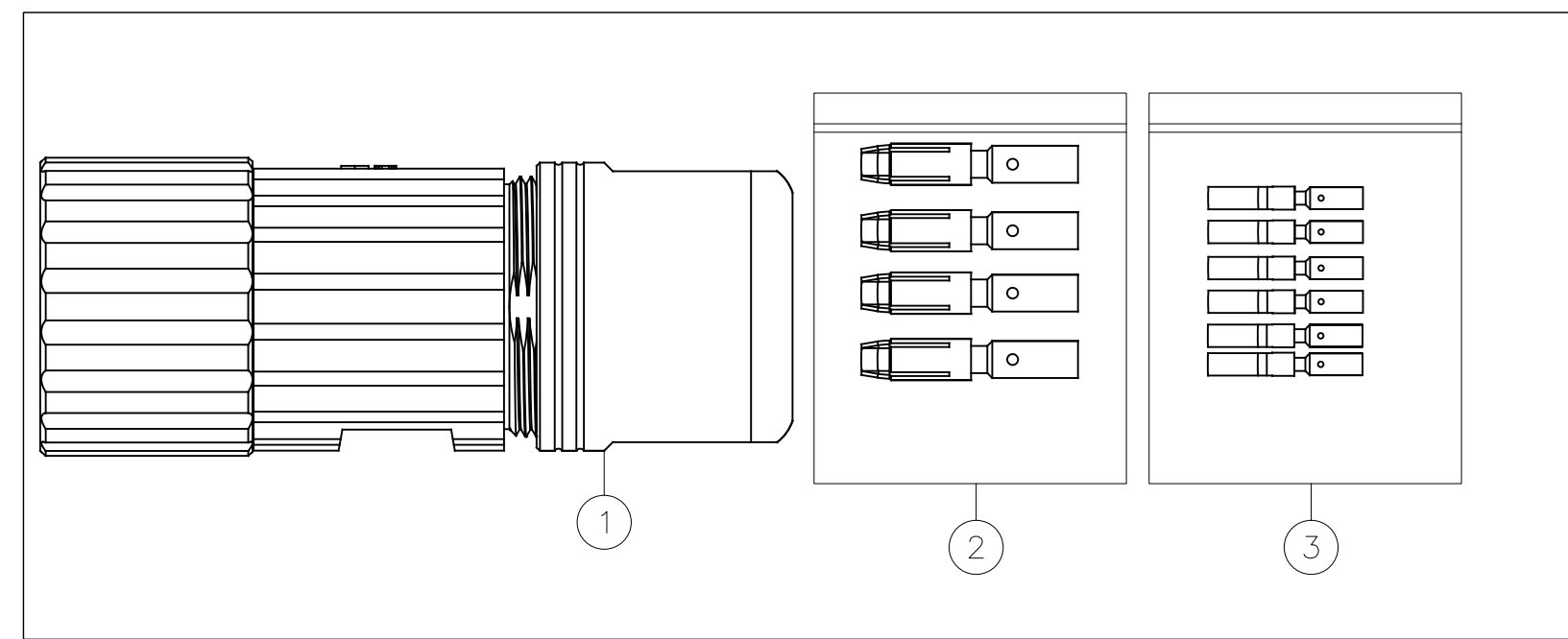


REVISIONS					
REV	ECO	DESCRIPTION	DATE	BY	APPR
A1	-	FIRST RELEASE	Oct.30,2017	White	Tommy
A2	-	ADDED ITEM 3 TO BOM	12/13/2021	RO	RO



NOTES: UNLESS OTHERWISE SPECIFIED

- MATERIAL:  
 INSULATION INSERT: PA66,UL94 V0  
 SEAL: VITON, EPDM  
 HOUSING BODY: COPPER ALLOY, NICKEL PLATED  
 CONTACT: COPPER ALLOY, GOLD PLATED
- SPECIFICATIONS:  
 2.1 CURRENT RATING: 28 AMPS  
 2.2 VOLTAGE RATING: 630V AC/DC  
 2.3 CONTACT RESISTANCE: <3 mOHMS  
 2.4 OPERATING TEMPERATURE: -20°C TO +130°C  
 2.5 DIELECTRIC WITHSTANDING VOLTAGE: LESS THAN 2 MILLIAMPS CURRENT LEAKAGE @ 6000 VOLTS AC.  
 2.6 DEGREE OF PROTECTION: IP67 ( MATED CONDITION )  
 2.7 DEGREE OF POLLUTION: 3 PER UL840  
 2.8 OVERVOLTAGE CATEGORY: III PER UL840  
 2.9 MATING CYCLE DURABILITY: >500 CYCLES  
 2.10 RoHS COMPLIANT
- ALL DIMENSIONS ARE FOR REFERENCE USE ONLY.



Item	Part number	Connector P/N	Cable OD Range
1	MB7CKN0600-S1-KIT	MB7CKN0600-S1	7.5~11.0 mm
2	MB7CKN0600-S2-KIT	MB7CKN0600-S2	11.0~14.5 mm
3	MB7CKN0600-S3-KIT	MB7CKN0600-S3	14.5~17.0 mm

6	SC000523	M23B,ELITE SERIES,2.0MM SOCKET	3
6	SC000260	Socket contact,2.0mm,Crimp 14~18AWG	2
1	MB7CKN0600-Sx	CONNECTOR	1
QUANTITY	PART NUMBER	DESCRIPTION	ITEM

**MATERIALS LIST**

UNLESS OTHERWISE SPECIFIED 1) All dimensions are in metric(mm). 2) Tolerances are as follows: 1 PL DEC ±0.30 2 PL DEC ±0.15 3 PL DEC ±0.08 Fractions ±1/64 Angles ±1° 3) Note reference = $\Delta$		SIGNATURES DRAWN: White CHECKED: Tod ENGINEER: APPROVAL: Tommy DATE Oct.30,17 Oct.30,17 Oct.30,17	<h1>Amphenol</h1> <p>Sine Systems - www.amphenol-sine.com          44724 Morley Drive          Clinton Township, MI 48036</p>
MATERIAL SPECIFICATIONS:	CUSTOMER:	KIT;M23B,PLUG,STRAIGHT,6POS	
PROCESS SPECIFICATIONS:	THIS DRAWING IS SUPPLIED FOR INFORMATION ONLY. DESIGN FEATURES, SPECIFICATIONS AND PERFORMANCE DATA SHOWN HEREON ARE THE PROPERTY OF THE AMPHENOL CORPORATION. NO RIGHTS OF REPRODUCTION ARE IMPLIED. ALL DIMENSIONS ARE SUBJECT TO NORMAL MANUFACTURING VARIATIONS.		
NEXT ASSY:	SCALE: NONE	SIZE: <b>B</b> TYPE: <b>C-</b> DWG NO: <b>MB7CKN0600-Sx-KIT</b> REVISION: <b>A2</b>	SHEET 1 OF 1

TITLE: KIT;M23B,PLUG,STRAIGHT,6POS DWG NO: MB7CKN0600-Sx-KIT REV: A2 SH: 1 OF: 1