

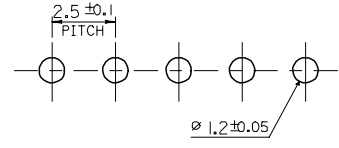
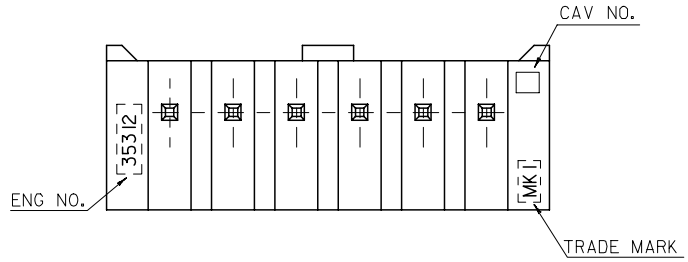
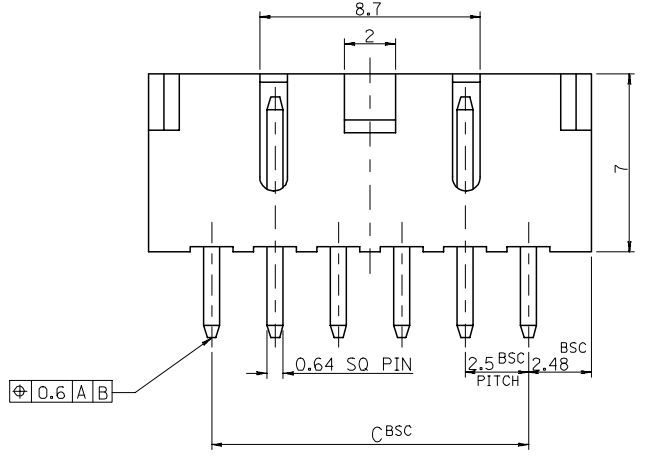
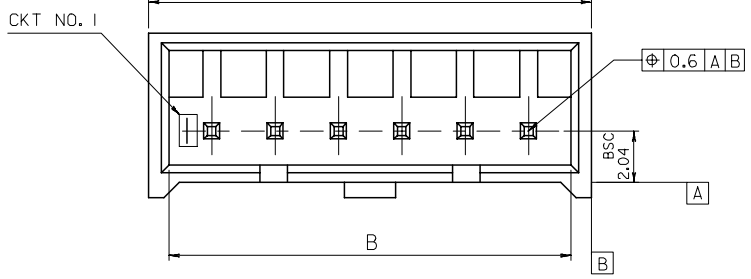
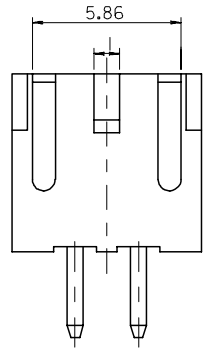
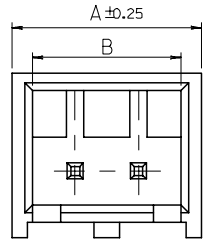
DWG. NO. SD-35312-001

SIMILAR ITEM 35312-***1*

PROJECT NO.

B

DO NOT SCALE DRAWING
DIMENSION IN METRIC



P.C. BOARD LAYOUT
THK.: 1.6±

NOTE

1. MATERIAL: WAFER : NYLON66, GLASS FILLED 20%
PIN : BRASS, TIN PLATED

② LEGEND

35312 - ** 6 *

COLOR : 0 --- NATURAL
2 --- RED
3 --- YELLOW
4 --- BLUE

CKT(02,03,04....)

3. THIS PRODUCT SHALL BE COMPLIED WITH
ROHS COMPATIBLE(LEAD FREE SOLDERABILITY)

35	38.36	39.96	35312-156*	15
32.5	35.86	37.46	-146*	14
30	33.36	34.96	-136*	13
27.5	30.86	32.46	-126*	12
25	28.36	29.96	-116*	11
22.5	25.86	27.46	-106*	10
20	23.36	24.96	-096*	9
17.5	20.86	22.46	-086*	8
15	18.36	19.96	-076*	7
12.5	15.86	17.46	-066*	6
10	13.36	14.96	-056*	5
7.5	10.86	12.46	-046*	4
5	8.36	9.96	-036*	3
2.5	5.86	7.46	35312-026*	2
C	B	A	ENG NO.	CKT NO.

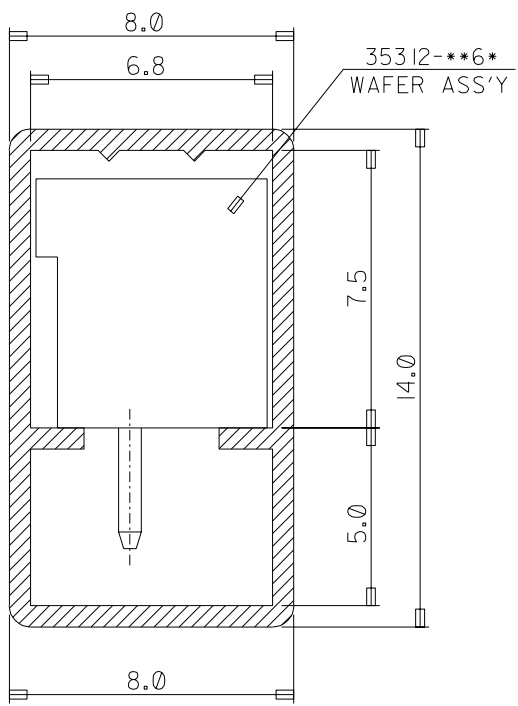
REVISED ECN NO. KOR2006-0105 DRWN: K.S.KIM 060323 CHK: K.S.KIM APPR: Y.SOO.KIM	DESCRIPTION MAJOR CRITICAL C	QUALITY SYMBOLS		GENERAL TOLERANCES: (UNLESS SPECIFIED)		SCALE 5-1	DESIGN UNITS <input checked="" type="checkbox"/> mm <input type="checkbox"/> INCH	THIRD ANGLE PROJECTION	DIMENSIONS: <input type="checkbox"/> mm <input type="checkbox"/> INCH <input checked="" type="checkbox"/> mm ONLY		SHT	REV
		4 PLACES	±0.	±.	DRAWN BY & DATE H.S.SHIN	TITLE: 2.5 PITCH W/B CONN. WAFER ASS'Y (WITH LOCK)		MOLEX INCORPORATED				
B	REV	3 PLACES	±0.	±.	CHECKED BY & DATE Y.SOO.KIM	APPROVED BY & DATE S.H.CHOI		MATERIAL NO. 35312**6*		DRAWING NO. SD-35312-001	SHEET NO. 1 OF 1	
		2 PLACES	±0.	±.	CAD FILENAME		THIS DRAWING CONTAINS INFORMATION THAT IS PROPRIETARY TO MOLEX INCORPORATED AND SHOULD NOT BE USED WITHOUT WRITTEN PERMISSION.		KOREA		MX-A3	
1 PLACE		±0.2	±.	ANGULAR: ± 2 °		DRAFT WHERE APPLICABLE MUST REMAIN WITHIN DIMENSIONS		SIZE B				

PROJECT NO. SIMILAR ITEM DWG. NO. SD-35312-004

5 4 3 2 1

NOTE

1. TUBE THK.: 0.6±
2. LENGTH : 600mm
3. THIS PRODUCT SHALL BE COMPLIED WITH RoHS COMPATIBLE (LEAD FREE SOLDERABILITY)



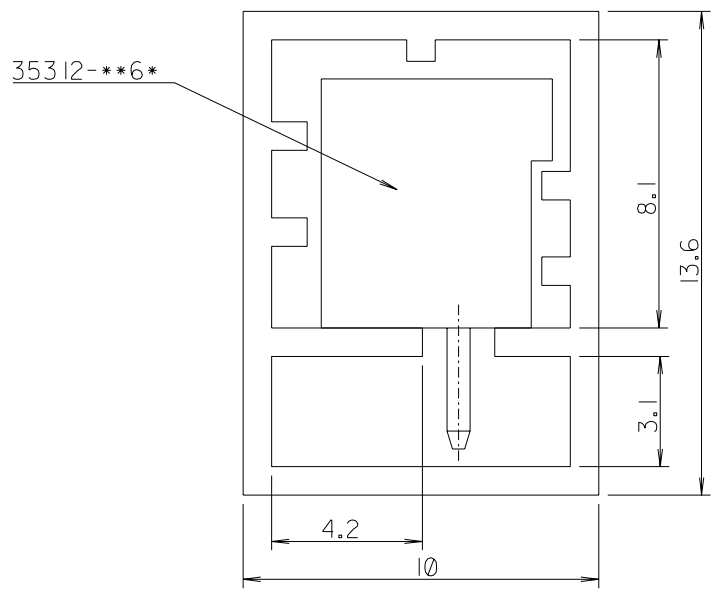
10	35312-1568	15P	35312 SERIES
15	-0468	14P	
15	-1468	13P	
15	-1268	12P	
15	-1168	11P	
20	-1068	10P	
20	-0968	9P	
25	-0868	8P	
25	-0768	7P	
30	-0668	6P	
35	-0568	5P	35312-0368
45	-0468	4P	
55		3P	
Q'TY	ENG NO.	CKT.	USED ON

NEW RELEASED EC NO. KOR2005-0066 DRWN: K.S.KIM 040722 CHK: Y.Soo.KIM APPR: C.W.LEE	DESCRIPTION MAJOR CRITICAL	QUALITY SYMBOLS		GENERAL TOLERANCES: (UNLESS SPECIFIED)		SCALE 5-1	DESIGN UNITS <input checked="" type="checkbox"/> mm <input type="checkbox"/> INCH	THIRD ANGLE PROJECTION	DIMENSIONS: <input type="checkbox"/> mm <input type="checkbox"/> INCH <input checked="" type="checkbox"/> mm ONLY		SHT	REV
		4 PLACES	±0.	±.	DRAWN BY & DATE K.S.KIM	TITLE: PACKING FOR 35312 (S/S C-TV)			REVISE ON CAD ONLY			
A	REV	3 PLACES	±0.	±.	CHECKED BY & DATE Y.Soo.KIM	MOLEX MOLEX INCORPORATED						
		2 PLACES	±0.	±.	APPROVED BY & DATE C.W.LEE	MATERIAL NO. 35312-***68			DRAWING NO. SD-35312-004	SHEET NO. 1/1		
		1 PLACE	±0.3	±.	CAD FILENAME	THIS DRAWING CONTAINS INFORMATION THAT IS PROPRIETARY TO MOLEX INCORPORATED AND SHOULD NOT BE USED WITHOUT WRITTEN PERMISSION.			SIZE A			
		ANGULAR: ± 2 °		DRAFT WHERE APPLICABLE MUST REMAIN WITHIN DIMENSIONS								

5 4 3 2 1 MX-A4

PROJECT NO. SIMILAR ITEM DWG. NO. SD-35312-005

35312-**-19



- NOTE
1. TUBE LENGTH : 550mm
 2. TUBE THICKNESS : 0.8mm
 3. THIS PRODUCT SHALL BE COMPLIED WITH RoHS COMPATIBLE(LEAD FREE SOLDERABILITY)

10	35312-1569	15	35312 SERIES
10	-1469	14	
10	-1369	13	
15	-1269	12	
15	-1169	11	
15	-1069	10	
20	-0969	9	
20	-0869	8	
25	-0769	7	
30	-0669	6	
35	-0569	5	
40	-0469	4	
50	-0369	3	
70	35312-0269	2	
Q'TY	ENG NO.	CKTS	

NEW RELEASED EC NO. KOR2005-0066 DRWN: K.S.KIM 041008 CHK: Y.Soo.KIM APPR: C.W.LEE	DESCRIPTION	QUALITY SYMBOLS	GENERAL TOLERANCES: (UNLESS SPECIFIED)		SCALE 5-1	DESIGN UNITS <input checked="" type="checkbox"/> mm <input type="checkbox"/> INCH	THIRD ANGLE PROJECTION	DIMENSIONS: <input type="checkbox"/> mm <input type="checkbox"/> INCH <input checked="" type="checkbox"/> mm ONLY		SHT	REV
		MAJOR =	CRITICAL =	mm	INCH	DRAWN BY & DATE H.S.SHIN		TITLE: TUBE PACKAGED FOR 35312 SERIES			
A	REV	4 PLACES	±0.	±.	CHECKED BY & DATE Y.Soo.KIM		MOLEX INCORPORATED				
		3 PLACES	±0.	±.	APPROVED BY & DATE C.W.LEE		MATERIAL NO. 35312**69	DRAWING NO. SD-35312-005	SHEET NO. 1 OF 1	SIZE A	
		2 PLACES	±0.	±.	CAD FILENAME				THIS DRAWING CONTAINS INFORMATION THAT IS PROPRIETARY TO MOLEX INCORPORATED AND SHOULD NOT BE USED WITHOUT WRITTEN PERMISSION.		
		1 PLACE	±0.3	±.	DRAFT WHERE APPLICABLE MUST REMAIN WITHIN DIMENSIONS				MX-A4		
		ANGULAR: ± 2 °									

PK35312.DGN