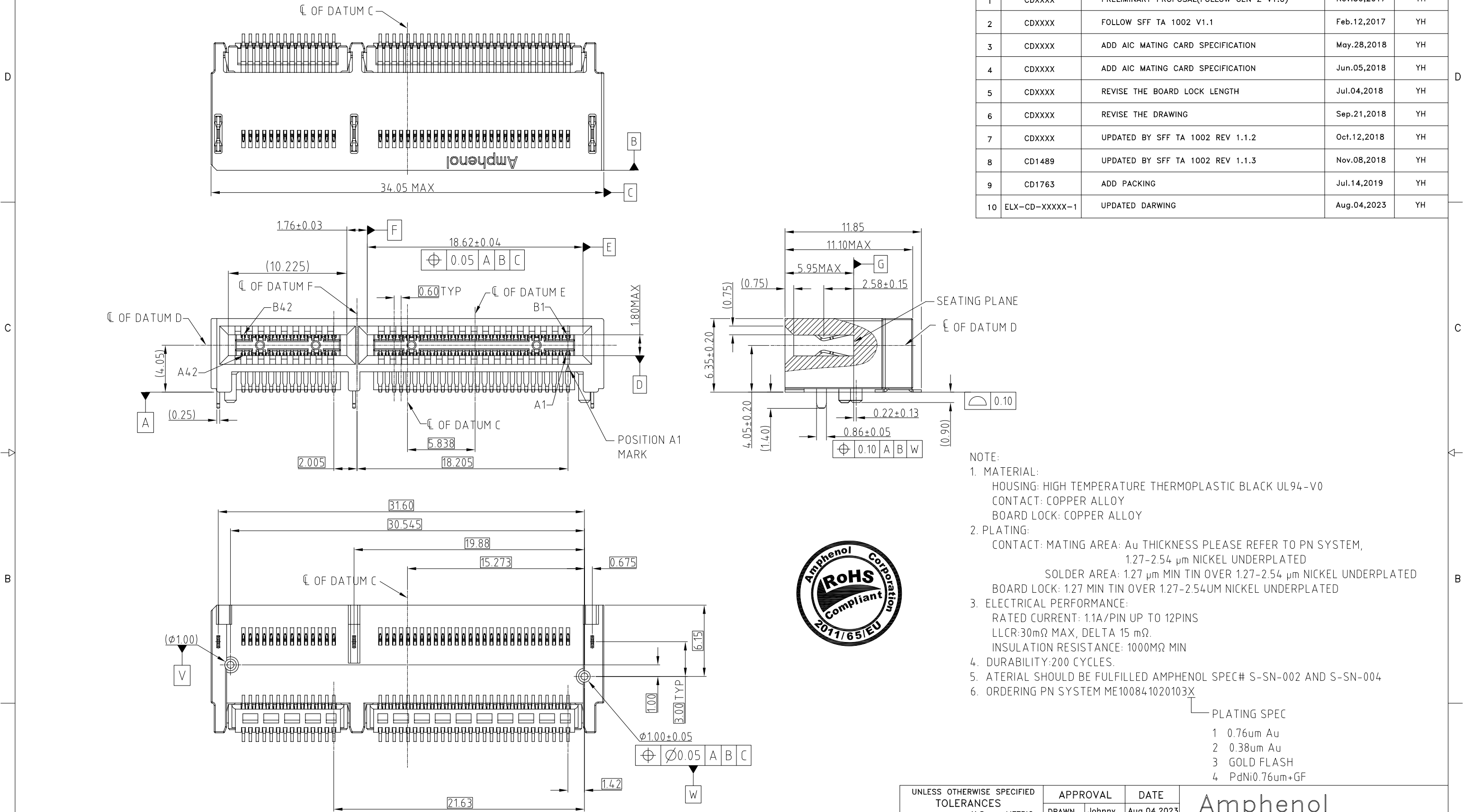


This document is the property of Amphenol Corporation and is delivered on the express condition that it is not to be disclosed, reproduced or used, in whole or in part, for manufacture or sale by anyone other than Amphenol Corporation without its prior consent, & that no right is granted to disclose or to use any information in this document.

CUSTOMER DRAWING

REVISIONS

SYM	ECN	DESCRIPTION	DATE	APPROVED
1	CDXXXX	PRELIMINARY PROPOSAL(FOLLOW GEN Z V1.0)	Nov.30,2017	YH
2	CDXXXX	FOLLOW SFF TA 1002 V1.1	Feb.12,2017	YH
3	CDXXXX	ADD AIC MATING CARD SPECIFICATION	May.28,2018	YH
4	CDXXXX	ADD AIC MATING CARD SPECIFICATION	Jun.05,2018	YH
5	CDXXXX	REVISE THE BOARD LOCK LENGTH	Jul.04,2018	YH
6	CDXXXX	REVISE THE DRAWING	Sep.21,2018	YH
7	CDXXXX	UPDATED BY SFF TA 1002 REV 1.1.2	Oct.12,2018	YH
8	CD1489	UPDATED BY SFF TA 1002 REV 1.1.3	Nov.08,2018	YH
9	CD1763	ADD PACKING	Jul.14,2019	YH
10	ELX-CD-XXXX-1	UPDATED DARWING	Aug.04,2023	YH



- NOTE:
- MATERIAL:
 - HOUSING: HIGH TEMPERATURE THERMOPLASTIC BLACK UL94-V0
 - CONTACT: COPPER ALLOY
 - BOARD LOCK: COPPER ALLOY
 - PLATING:
 - CONTACT: MATING AREA: Au THICKNESS PLEASE REFER TO PN SYSTEM, 1.27-2.54 μm NICKEL UNDERPLATED
 - SOLDER AREA: 1.27 μm MIN TIN OVER 1.27-2.54 μm NICKEL UNDERPLATED
 - BOARD LOCK: 1.27 MIN TIN OVER 1.27-2.54UM NICKEL UNDERPLATED
 - ELECTRICAL PERFORMANCE:
 - RATED CURRENT: 1.1A/PIN UP TO 12PINS
 - LLCR:30mΩ MAX, DELTA 15 mΩ.
 - INSULATION RESISTANCE: 1000MΩ MIN
 - DURABILITY:200 CYCLES.
 - ATERIAL SHOULD BE FULFILLED AMPHENOL SPEC# S-SN-002 AND S-SN-004
 - ORDERING PN SYSTEM ME100841020103X

- PLATING SPEC
- 0.76um Au
 - 0.38um Au
 - GOLD FLASH
 - PdNi0.76um+GF



UNLESS OTHERWISE SPECIFIED TOLERANCES	
U.S.	METRIC
.X +/-	0.25
.XX +/-	0.20
.XXX +/-	0.15
FRACTIONS +/-	
ANGLES +/-	5°

FOR MATERIALS AND FINISHES SEE NOTES

REMOVE SHARP EDGES

DIMENSIONS

—U.S.—	INCHES
(METRIC)	(mm)

APPROVAL		DATE
DRAWN	Johnny	Aug.04,2023
CHECKED	Ly.Yi	Aug.04,2023
APPROVED		
DRAWING FILE :		
INTERNAL\DRAWING\ME\ C ME100841020103X		
ANGLE OF PROJECTION		

Amphenol

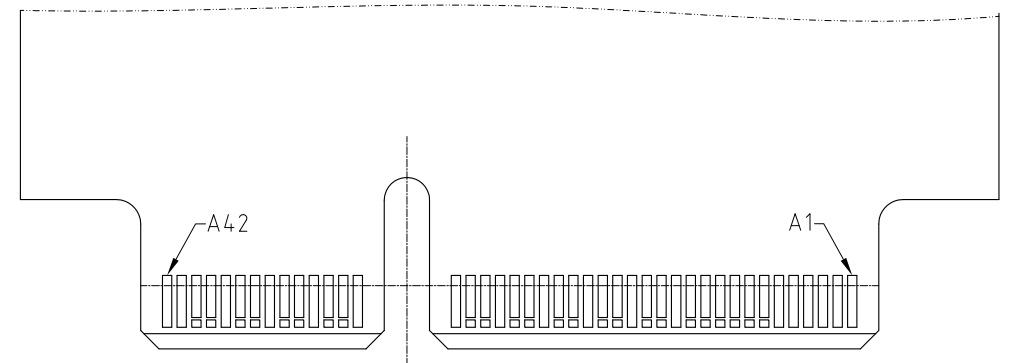
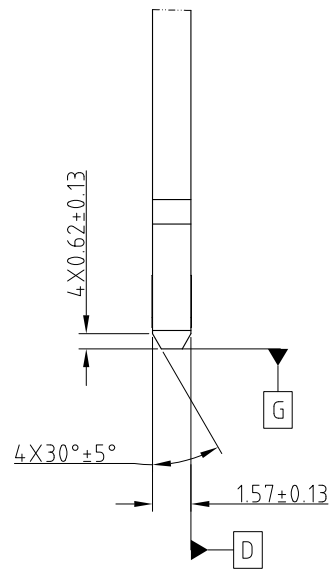
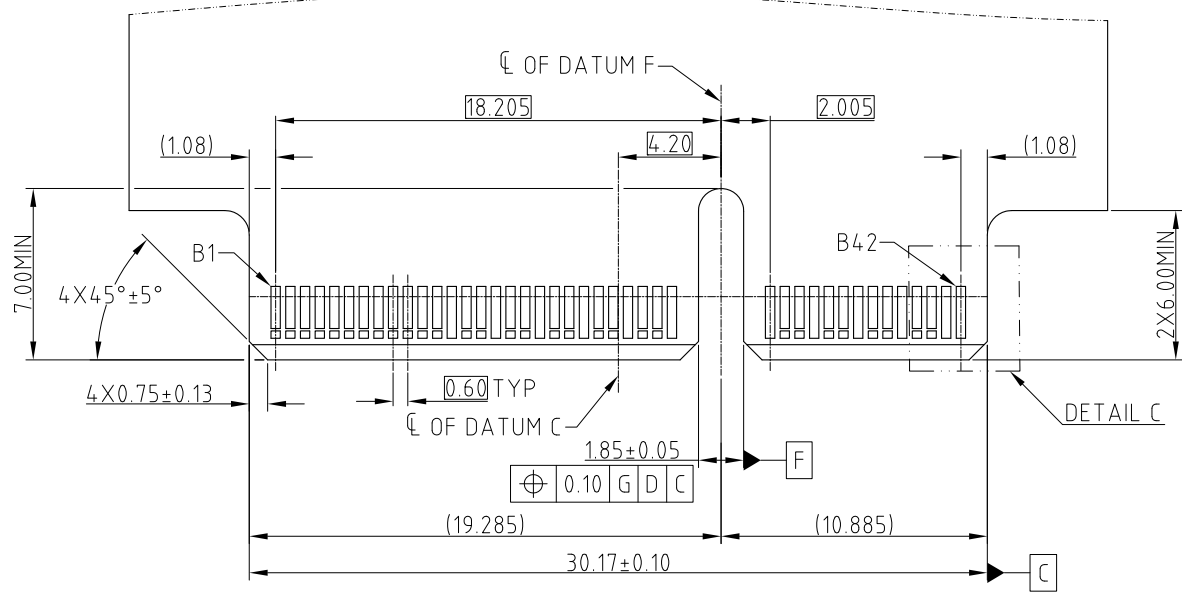
TITLE: MINI COOL EDGE CONNECTOR
84P R/A 0.6MM PITCH 4.05 GEN5

SIZE	DRAWING NO.	REV.
A3	C ME100841020103X	10
SCALE	NONE	SHEET 1 OF 3

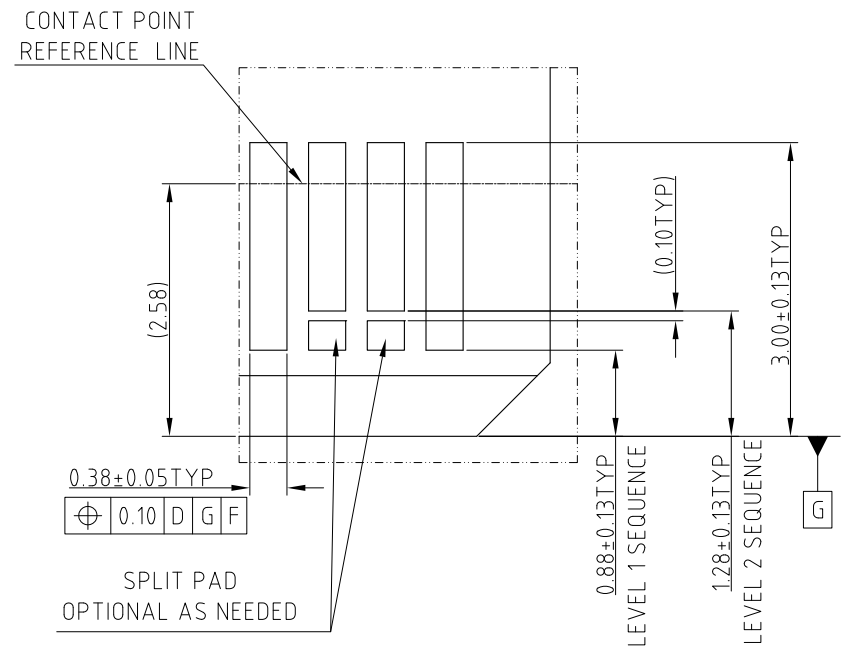
This document is the property of Amphenol Corporation and is delivered on the express condition that it is not to be disclosed, reproduced or used, in whole or in part, for manufacture or sale by anyone other than Amphenol Corporation without its prior consent, & that no right is granted to disclose or to use any information in this document.

CUSTOMER DRAWING

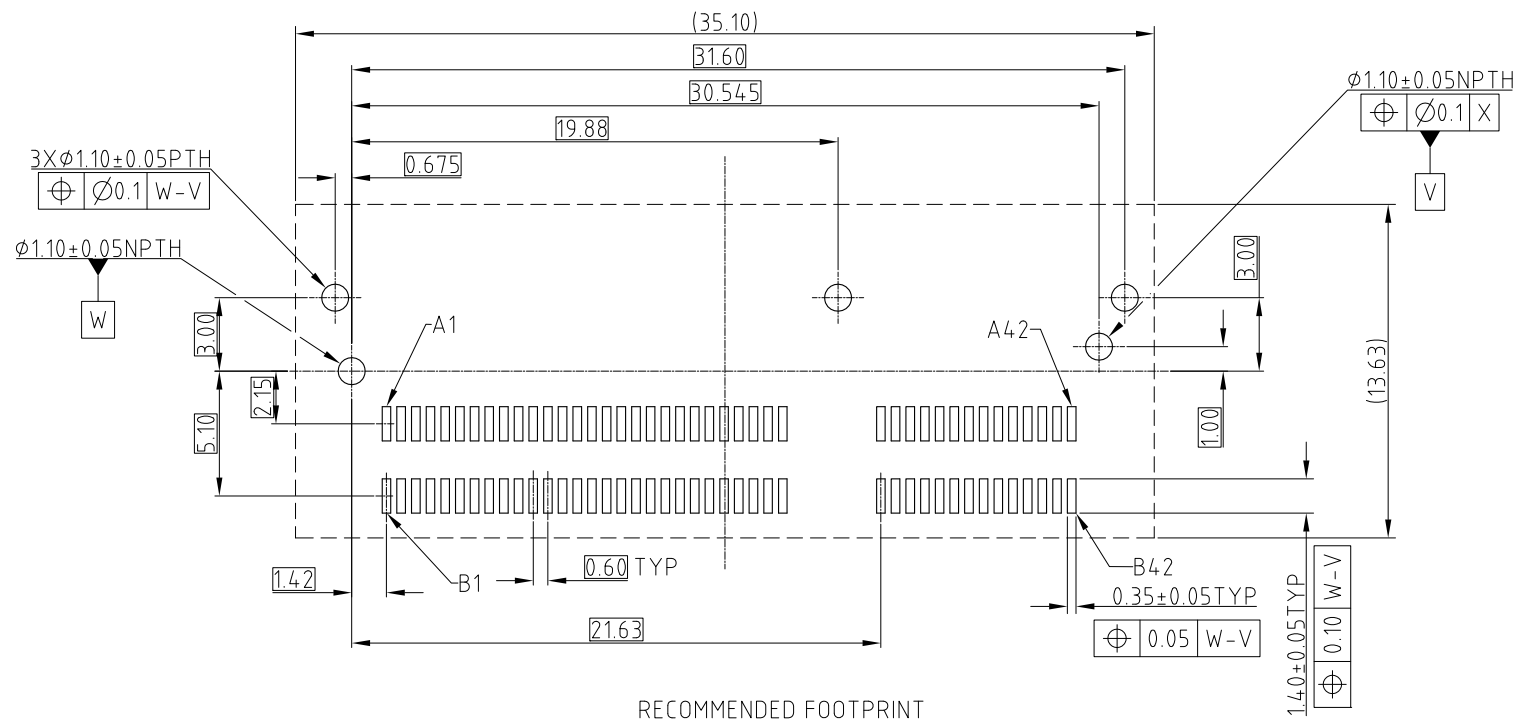
REVISIONS				
SYM	ECN	DESCRIPTION	DATE	APPROVED
		SEE SHEET 1		



RECOMMENDED AIC MATING CARD



DETAIL C
SCALE 4:1



RECOMMENDED FOOTPRINT

UNLESS OTHERWISE SPECIFIED TOLERANCES	
U.S.	METRIC
.X +/-	0.25
.XX +/-	0.20
.XXX +/-	0.15
FRACTIONS +/-	5°
ANGLES +/-	

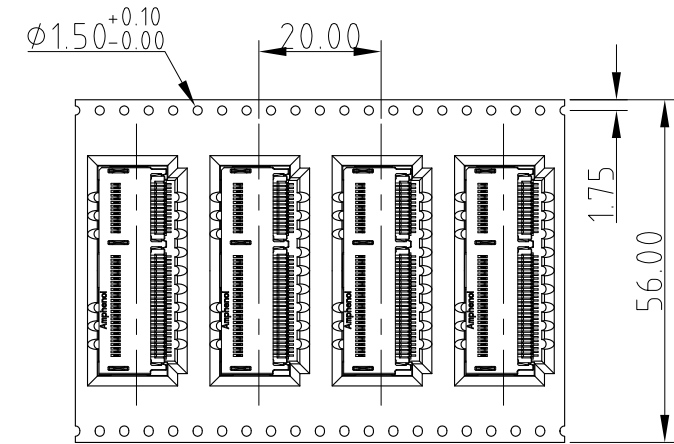
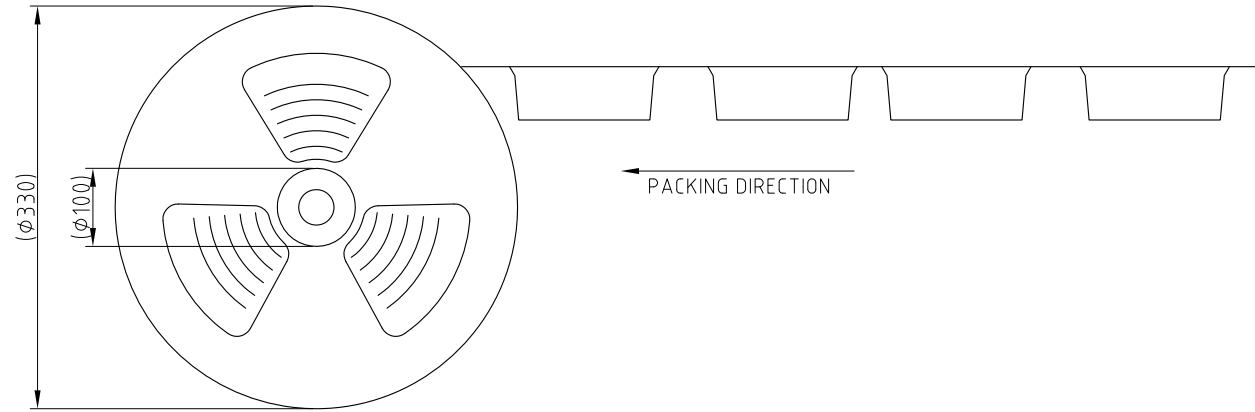
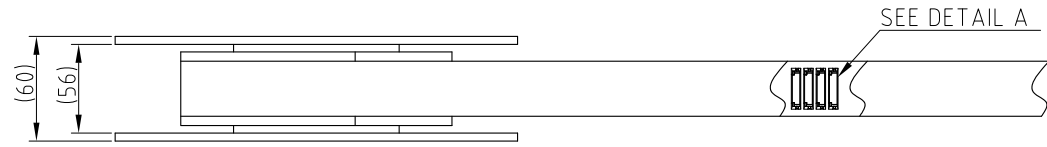
APPROVAL		DATE
DRAWN	Johnny	Aug.04,2023
CHECKED	Ly.Yi	Aug.04,2023
APPROVED		
DRAWING FILE :		
INTERNAL\DRAWING\ME\ C ME100841020103X		
ANGLE OF PROJECTION		

Amphenol		
TITLE		
MINI COOL EDGE CONNECTOR		
84P R/A 0.6MM PITCH 4.05 GEN5		
SIZE	DRAWING NO.	REV.
A3	C ME100841020103X	10
SCALE	NONE	SHEET 2 OF 3

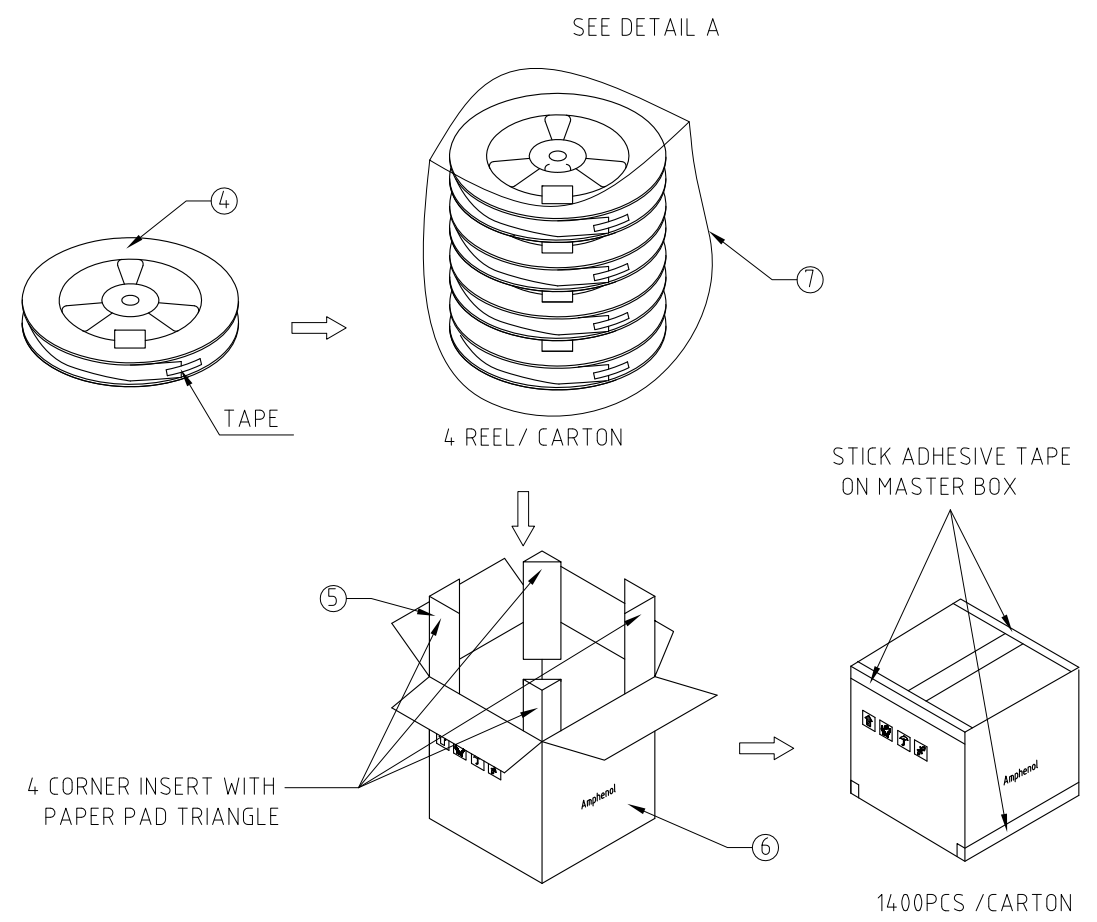
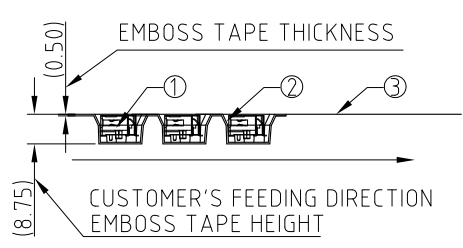
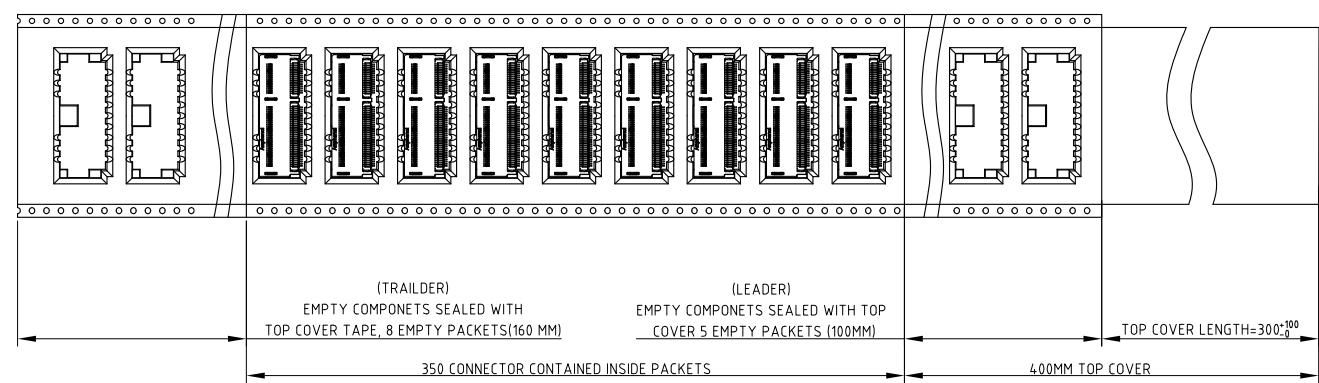
This document is the property of Amphenol Corporation and is delivered on the express condition that it is not to be disclosed, reproduced or used, in whole or in part, for manufacture or sale by anyone other than Amphenol Corporation without its prior consent, & that no right is granted to disclose or to use any information in this document.

CUSTOMER DRAWING

REVISIONS				
SYM	ECN	DESCRIPTION	DATE	APPROVED
		SEE SHEET 1		



CUSTOMER'S FEEDING DIRECTION



THIS PAGE FOR REFERENCE ONLY

ITEM	DESCRIPTION	MATERIAL
7	PLASTIC BAG	
6	PAPER PAD TRIANGLE	CORRUGATED FIBERBOARD
5	MASTER BOX	CORRUGATED FIBERBOARD
4	PP REEL	PP
3	TOP COVER TAPE	PET
2	EMBOSS TAPE	POLYSTYRENE
1	Connector	

UNLESS OTHERWISE SPECIFIED TOLERANCES	
U.S.	METRIC
.X +/-	0.25
.XX +/-	0.20
.XXX +/-	0.15
FRACTIONS +/-	5°
ANGLES +/-	

APPROVAL		DATE
DRAWN	Johnny	Aug.04,2023
CHECKED	Ly.Yi	Aug.04,2023
APPROVED		
DRAWING FILE :		
INTERNAL\DRAWING\ME\ C ME100841020103X		
ANGLE OF PROJECTION		

Amphenol		
TITLE		
MINI COOL EDGE CONNECTOR		
84P R/A 0.6MM PITCH 4.05 GEN5		
SIZE	DRAWING NO.	REV.
A3	C ME100841020103X	10
SCALE	NONE	SHEET 3 OF 3