

4

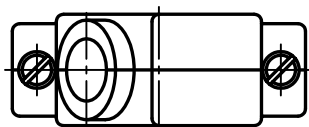
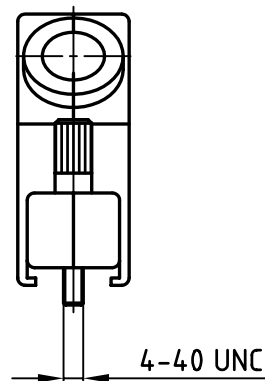
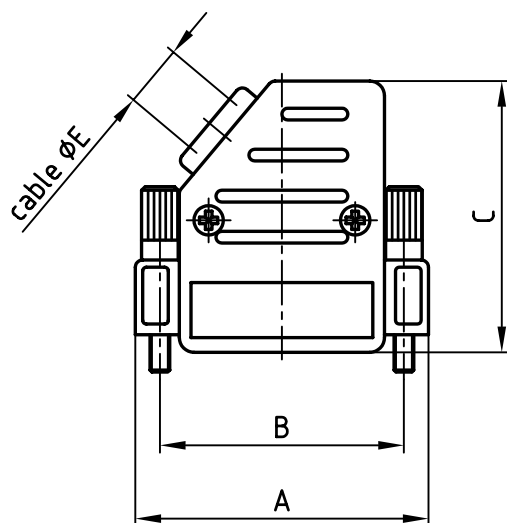
3

2

1

used for:

D-SUB



Directive 2002/95/EC
"RoHS"
Compliant

No. of pos.	A	B	C	D	$\varnothing E$	Part No:
9	31.5	25.0	37.0	15.2	8.5	600X57009X
15	40.0	33.3	37.0	15.2	8.5	600X57015X
25	53.5	47.0	41.0	15.2	11.0	600X57025X
37	70.0	63.5	41.0	15.2	11.0	600X57037X
50	67.8	61.1	41.0	18.2	12.0	600X57050X

APPROVAL # FREIGABE # DEBLOCAGE # AUTORIZACION # APPROVAL	
CUSTOMER APPROVAL DATE:	
NAME:	TITLE:
COMPANY NAME:	
APPROVAL # FREIGABE # DEBLOCAGE # AUTORIZACION # APPROVAL	

THIS DRAWING MAY NOT BE COPIED OR REPRODUCED IN ANY WAY, AND MAY NOT BE PASSED ON TO A THIRD PARTY WITHOUT WRITTEN PERMISSION.
OWNERSHIP AND COPYRIGHT OF CONEC GmbH
DO NOT ALTER CAD DRAWING BY HAND

tolerance			scale: 1:1	
dim. in mm			material: ABS UL 94 V-0 Metallized	
2002	date	name	title: Plastic hood side cable exit, with jack screws 9 - 50 pos.	
drawn	28.02.	Schmidt		
appd.	28.02.	E. Mickenbecker		
norm	DIN41652			
d-old	KAT116QA			
rev.	description	date	name	dwg no: AutoCAD 2000 DIN-A 16K1A673 4 sh: 1/1

CONEC[®]

part no: SEE TABLE

4

3

2

1