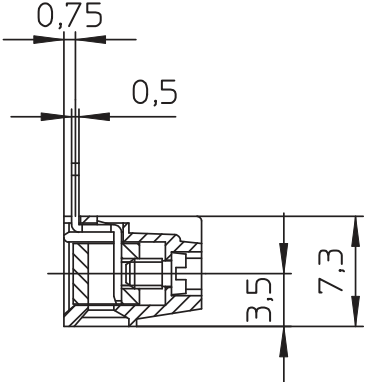


PCB LAYOUT - COMPONENT VIEW



A = (nb. pin-1) x pitch  
 B = (nb. pin x pitch)

TECHNICAL CHARACTERISTICS

MATERIAL  
 INSULATOR: PA6/66  
 FLAMMABILITY RATING: UL94V0  
 COLOR: GREEN  
 METAL HOUSING: COPPER ALLOY / Ni+Sn  
 TERMINAL SCREW: STEEL / Zn  
 WIRE GUARD: COPPER ALLOY / Ni+Sn

ENVIRONMENTAL  
 OPERATING TEMPERATURE: -30°C UP TO +120°C  
 COMPLIANCE: LEAD FREE AND ROHS

ELECTRICAL  
 CURRENT RATING: 10A  
 WORKING VOLTAGE: 300VAC  
 WITHSTANDING VOLTAGE: 1,6KV  
 CONTACT RESISTANCE: 20 mΩ MAX

STANDARD  
 CERTIFIED: E150931  
 CERTIFIED: 40015437  
 CAT. N°: CPP (3)  
 TYPE: CPP

MECHANICAL  
 SOLID WIRE: 30-16 AWG / 0,05-1,31 mm<sup>2</sup>  
 STRANDED WIRE: 30-16 AWG / 0,05-1,31 mm<sup>2</sup>  
 TORQUE: 1,5lb.In / 0,3 Nm

WIRE STRIPE LENGTH: 6 mm  
 SCREW: M2  
 PITCH: 3,50 mm

SOLDERING  
 JEDEC LEAD FREE WAVE SOLDERING

PACKAGING  
 BOX

|                |           |      |    |
|----------------|-----------|------|----|
| RoHS Compliant |           |      |    |
| G              |           |      |    |
| F              |           |      |    |
| E              |           |      |    |
| D              |           |      |    |
| C              |           |      |    |
| B              |           |      |    |
| A              | 22-AUG-14 | PDF  | AK |
| REV            | DATE      | FILE | BY |

|              |  |
|--------------|--|
| PROJECTION:  |  |
| APPROVAL: QL |  |

|                   |      |
|-------------------|------|
| GENERAL TOLERANCE | ±0,1 |
| UNIT: MM          |      |
| SCALE:            |      |
| SHEET: 1/2        |      |
| DRAW: AK          |      |



|  |                          |
|--|--------------------------|
| DESCRIPTION: SERIE 2141 - 3.50 MM - VERTICAL CABLE ENTRY WITH RISING CAGE CLAMP - WR-TBL | <b>SIZE</b><br><b>A4</b> |
| WERI PART NO: 691 214 100 0xx  |                          |

1

2

3

4

5

## Cautions and Warnings:

This electronic component is designed and developed with the intention for use in general electronics equipments.

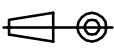

Before incorporating the components into any equipments in the field such as aerospace, aviation, nuclear control, submarine, transportation, (automotive control, train control, ship control), transportation signal, disaster prevention, medical, public information network etc. where higher safety and reliability are especially required or if there is possibility of direct damage or injury to human body, Würth Elektronik must be asked for a written approval.

In addition, even electronic component in general electronic equipments, when used in electrical circuits that require high safety, reliability functions or performance, the sufficient reliability evaluation-check for the safety must be performed before by the user before usage.

A

B

C

|                |           |      |    |  |   |   |                         |                   |
|----------------|-----------|------|----|--|---|---|-------------------------|-------------------|
| RoHS Compliant |           |      |    | PROJECTION:<br> | GENERAL TOLERANCE<br>.X = +/- 0.2<br>.XX = +/- 0.15 |  | DESCRIPTION: DISCLAIMER | SIZE<br><b>A4</b> |
| G              |           |      |    |  |   |   |                         |                   |
| F              |           |      |    |  |   |   |                         |                   |
| E              |           |      |    |  |   |   |                         |                   |
| D              |           |      |    |  |   |   |                         |                   |
| C              |           |      |    | APPROVAL: JC   | UNIT: MM  | WERI PART NO: DISCLAIMER  | SIZE<br><b>A4</b>       |                   |
| B              |           |      |    |  | SCALE:  |   |                         |                   |
| A              | 10-SEP-14 | PDF  | QL |  | SHEET: 2/2  |   |                         |                   |
| REV            | DATE      | FILE | BY |  | DRAW: QL  |   |                         |                   |

D