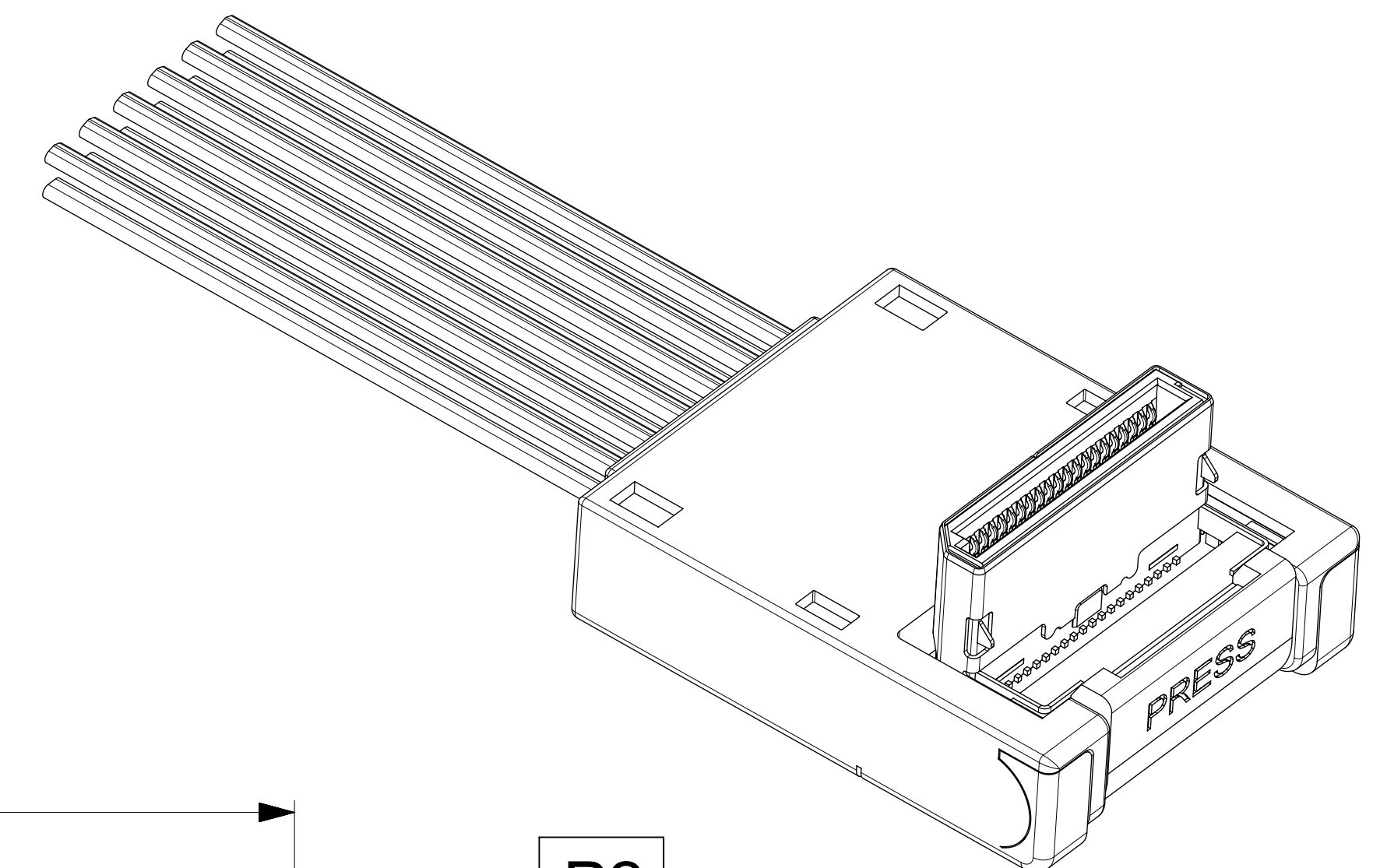
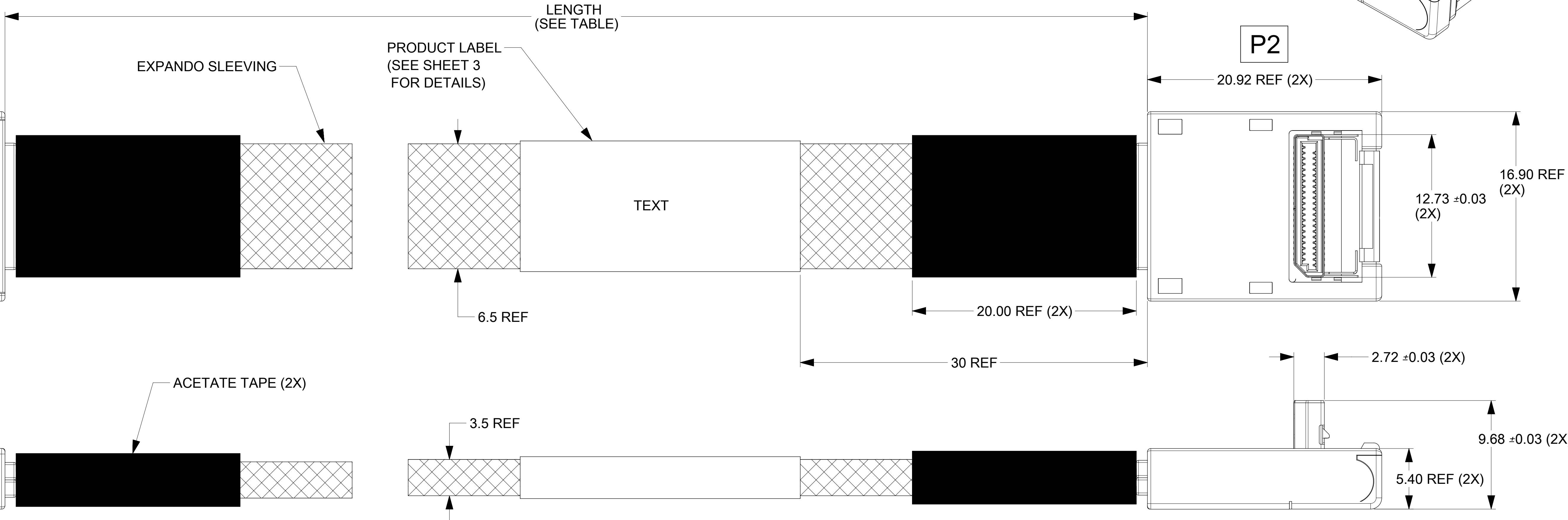


P1



P2



MOLEX P/N	LENGTH	TOLERANCE	RAW CABLE IMPEDANCE	AWG	MECHANICAL SPECIFICATION	ELECTRICAL SPECIFICATION
1001531004	300mm	±10.0mm	85 Ohms	34	SFF-8611	PCI EXPRESS OCuLink SPECIFICATION REV 1.0
1001531005	500mm	±10.0mm	85 Ohms	34	SFF-8611	PCI EXPRESS OCuLink SPECIFICATION REV 1.0
1001531006	700mm	±10.0mm	85 Ohms	34	SFF-8611	PCI EXPRESS OCuLink SPECIFICATION REV 1.0
1001531007	1000mm	±15.0mm	85 Ohms	34	SFF-8611	PCI EXPRESS OCuLink SPECIFICATION REV 1.0
1001531008	400mm	±10.0mm	85 Ohms	34	SFF-8611	PCI EXPRESS OCuLink SPECIFICATION REV 1.0

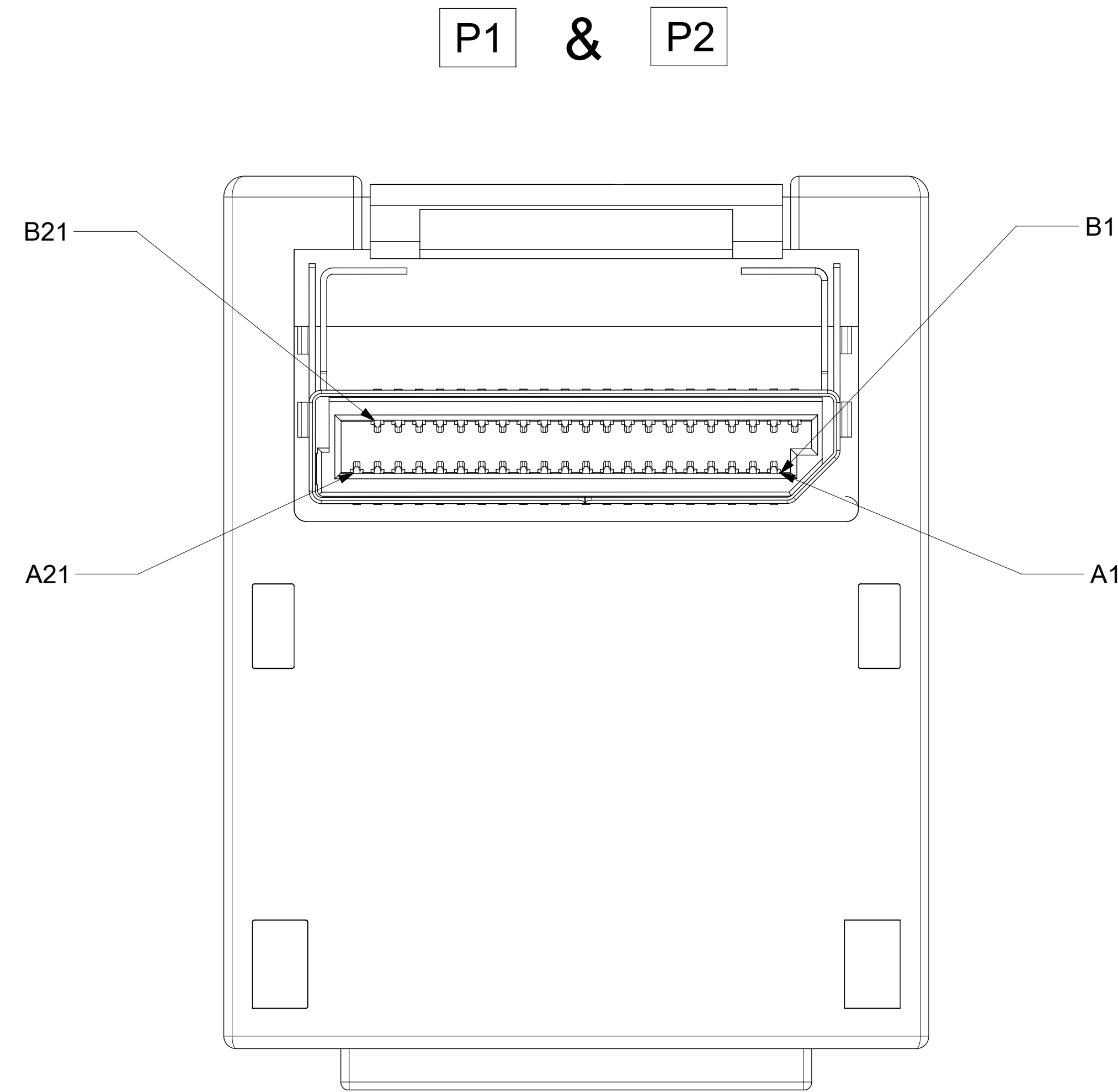
- NOTES:
- MATERIALS:
 - BACKSHELLS - NYLON, UL94-V0
COLOR: BLACK
 - LATCHING - STAINLESS STEEL
 - CABLE - TWIN-AX SHIELD: ALUMINIZED POLYESTER FOIL
- SIGNAL PAIR: SOLID SILVER PLATED COPPER
- DRAIN: SOLID TINNED COPPER
- CONFORMS TO VW1
 - PCB - HALOGEN FREE
 - PLUG MATES TO RIGHT-ANGLE AND VERTICAL RECEPTACLE SERIES 173162.
 - RoHS COMPLIANT. NO EXCEPTIONS.

THIS DRAWING CONTAINS INFORMATION THAT IS PROPRIETARY TO MOLEX ELECTRONIC TECHNOLOGIES, LLC AND SHOULD NOT BE USED WITHOUT WRITTEN PERMISSION

QUALITY SYMBOLS ▽ = 0 ▽ = 0 ▽ = 0 ▽ = 0 ▽ = 0 ▽ = 0 ▽ = 0 ▽ = 0 ▽ = 0	EC NO: 118143 DRWN: RWHIPPLE CHKD: PSYTSM REV: APPR: JALEXANDER	2017/06/13 2017/06/13 2017/06/16	GENERAL TOLERANCES (UNLESS SPECIFIED) ANGULAR TOL ± ° 4 PLACES ± 3 PLACES ± 2 PLACES ± 1 PLACE ± 0 PLACES ± DRAFT WHERE APPLICABLE MUST REMAIN WITHIN DIMENSIONS	DIMENSION UNITS: MM SCALE: NTS DRWN BY: RWHIPPLE DATE: 2016/03/14 CHKD BY: PSYTSM DATE: 2016/03/15 APPR BY: JCDEMPSEY DATE: 2016/06/03	
	PRODUCT CUSTOMER DRAWING			SERIES: 100153 MATERIAL NUMBER: SEE P/N TABLE CUSTOMER: GENERAL MARKET	
	DOCUMENT NUMBER: 1001531004 DOC TYPE: PSD DOC PART: 000 SHEET NUMBER: 1 OF 3				
	D THIRD ANGLE PROJECTION				

PINOUT TABLE

P1		SIGNAL TYPE	WIRE ID	P2	
PIN #	DESCRIPTION			PIN #	DESCRIPTION
A1	NO CONNECT	NC	NO WIRE	B1	NO CONNECT
A2	GROUND	----	TWINAX1	B2	GROUND
A3	PERp0	<---	TWINAX1	B3	PETp0
A4	PERn0	<---	TWINAX1	B4	PETn0
A5	GROUND	----	TWINAX2	B5	GROUND
A6	PERp1	<---	TWINAX2	B6	PETp1
A7	PERn1	<---	TWINAX2	B7	PETn1
A8	GROUND	----	TWINAX3	B8	GROUND
A9	BP_TYPE	<---	TWINAX3	B9	BP_TYPE
A10	CWAKE#	<-->	TWINAX3	B10	CWAKE#
A11	GROUND	NC	NO WIRE	B11	GROUND
A12	VSP+	--->	TWINAX4	B12	VSP+
A13	VSP-	--->	TWINAX4	B13	VSP-
A14	GROUND	----	TWINAX4	B14	GROUND
A15	PERp2	<---	TWINAX5	B15	PETp2
A16	PERn2	<---	TWINAX5	B16	PETn2
A17	GROUND	----	TWINAX5	B17	GROUND
A18	PERp3	<---	TWINAX6	B18	PETp3
A19	PERn3	<---	TWINAX6	B19	PETn3
A20	GROUND	----	TWINAX6	B20	GROUND
A21	NO CONNECT	NC	NO WIRE	B21	NO CONNECT
B1	NO CONNECT	NC	NO WIRE	A1	NO CONNECT
B2	GROUND	----	TWINAX7	A2	GROUND
B3	PETp0	--->	TWINAX7	A3	PERp0
B4	PETn0	--->	TWINAX7	A4	PERn0
B5	GROUND	----	TWINAX8	A5	GROUND
B6	PETp1	--->	TWINAX8	A6	PERp1
B7	PETn1	--->	TWINAX8	A7	PERn1
B8	GROUND	----	TWINAX9	A8	GROUND
B9	2-WIRE CLOCK	<-->	TWINAX9	A9	2-WIRE CLOCK
B10	2-WIRE DATA	<-->	TWINAX9	A10	2-WIRE DATA
B11	GROUND	NC	NO WIRE	A11	GROUND
B12	PERST#	<-->	TWINAX10	A12	PERST#
B13	CPRSNT#	<-->	TWINAX10	A13	CPRSNT#
B14	GROUND	----	TWINAX10	A14	GROUND
B15	PETp2	--->	TWINAX11	A15	PERp2
B16	PETn2	--->	TWINAX11	A16	PERn2
B17	GROUND	----	TWINAX11	A17	GROUND
B18	PETp3	--->	TWINAX12	A18	PERp3
B19	PETn3	--->	TWINAX12	A19	PERn3
B20	GROUND	----	TWINAX12	A20	GROUND
B21	NO CONNECT	NC	NO WIRE	A21	NO CONNECT



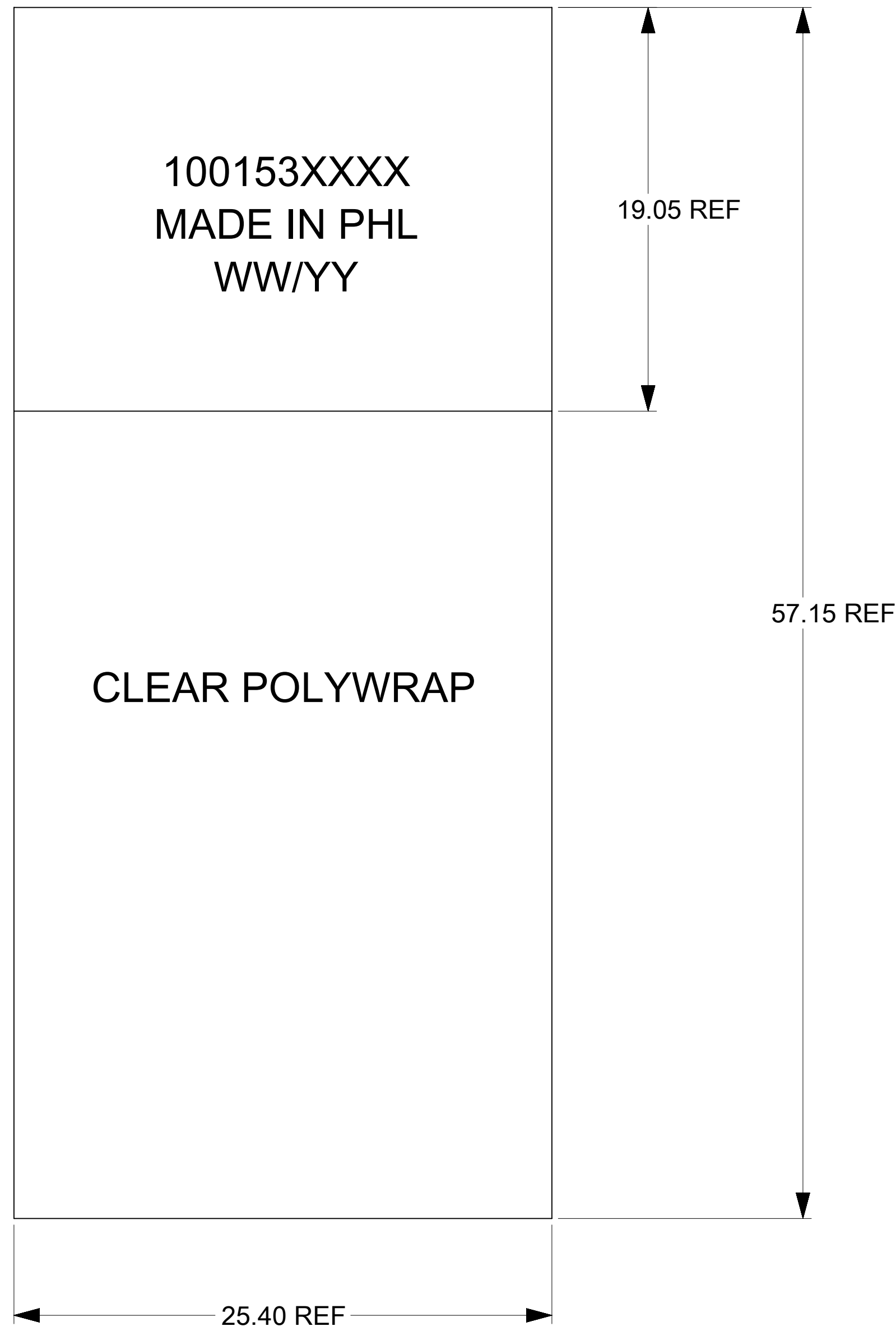
LEGEND

- = THRU LINE
 - > = TRANSMIT TO RECEIVE ON HIGH SPEED LINE
 - <--> = SIDEBAND
 - NC = NOT CONNECTED
- NOTE: CONNECTION DETERMINED BY PIN #. DESCRIPTION FOR REFERENCE ONLY.

QUALITY SYMBOLS F = 0 E = 0 D = 0 C = 0 B = 0 A = 0 0 = 0	THIS DRAWING CONTAINS INFORMATION THAT IS PROPRIETARY TO MOLEX ELECTRONIC TECHNOLOGIES, LLC AND SHOULD NOT BE USED WITHOUT WRITTEN PERMISSION		DIMENSION UNITS MM	SCALE NTS	
	GENERAL TOLERANCES (UNLESS SPECIFIED) ANGULAR TOL ± ° 4 PLACES ± 3 PLACES ± 2 PLACES ± 1 PLACE ± 0 PLACES ± DRAFT WHERE APPLICABLE MUST REMAIN WITHIN DIMENSIONS	DRWN BY: RWHIPPLE CHKD BY: PSYTSMA REV APPR: JALEXANDER	DATE: 2016/03/14 DATE: 2016/03/15 DATE: 2016/06/03	PRODUCT CUSTOMER DRAWING	
EC NO: 118143 DRWN: RWHIPPLE CHKD: PSYTSMA REV APPR: JALEXANDER	DRAWING SIZE: D	THIRD ANGLE PROJECTION	SERIES: 100153	MATERIAL NUMBER: SEE P/N TABLE	CUSTOMER: GENERAL MARKET
RELEASE STATUS: P1	RELEASE DATE: 16.06.2017 15:38:22	DOCUMENT NUMBER: 1001531004	DOC TYPE: PSD	DOC PART: 000	SHEET NUMBER: 2 OF 3

LABEL DETAIL

MOLEX P/N----->
 MANUFACTURING LOCATION----->
 MANUFACTURE DATE----->
 WW: WEEK OF YEAR
 YY: LAST TWO DIGITS OF YEAR



QUALITY SYMBOLS F = 0 E = 0 D = 0 C = 0 B = 0 A = 0 0 = 0		THIS DRAWING CONTAINS INFORMATION THAT IS PROPRIETARY TO MOLEX ELECTRONIC TECHNOLOGIES, LLC AND SHOULD NOT BE USED WITHOUT WRITTEN PERMISSION		GENERAL TOLERANCES (UNLESS SPECIFIED) ANGULAR TOL ± ° 4 PLACES ± 3 PLACES ± 2 PLACES ± 1 PLACE ± 0 PLACES ± DRAFT WHERE APPLICABLE MUST REMAIN WITHIN DIMENSIONS		DIMENSION UNITS MM		SCALE NTS		DRWN BY RWHIPPLE		DATE 2016/03/14		CHKD BY PSYTSMA		DATE 2016/03/15		APPR BY JCDEMPSEY		DATE 2016/06/03		DRAWING SIZE D		THIRD ANGLE PROJECTION		SERIES 100153		MATERIAL NUMBER SEE P/N TABLE		CUSTOMER GENERAL MARKET							
EC NO: 118143 DRWN: RWHIPPLE CHKD: PSYTSMA REV APPR: JALEXANDER		2017/06/13 2017/06/13 2017/06/16		DIMENSION UNITS MM		SCALE NTS		DRWN BY RWHIPPLE		DATE 2016/03/14		CHKD BY PSYTSMA		DATE 2016/03/15		APPR BY JCDEMPSEY		DATE 2016/06/03		DRAWING SIZE D		THIRD ANGLE PROJECTION		SERIES 100153		MATERIAL NUMBER SEE P/N TABLE		CUSTOMER GENERAL MARKET									
RELEASE STATUS P1		RELEASE DATE 16.06.2017 15:38:22		DOCUMENT NUMBER 1001531004		DOC TYPE PSD		DOC PART 000		SHEET NUMBER 3 OF 3		DIMENSION UNITS MM		SCALE NTS		DRWN BY RWHIPPLE		DATE 2016/03/14		CHKD BY PSYTSMA		DATE 2016/03/15		APPR BY JCDEMPSEY		DATE 2016/06/03		DRAWING SIZE D		THIRD ANGLE PROJECTION		SERIES 100153		MATERIAL NUMBER SEE P/N TABLE		CUSTOMER GENERAL MARKET	