

THIS DRAWING IS UNPUBLISHED.

RELEASED FOR PUBLICATION

20

© COPYRIGHT 20

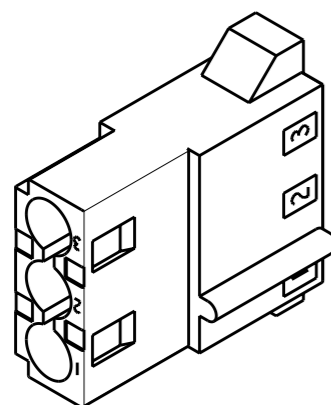
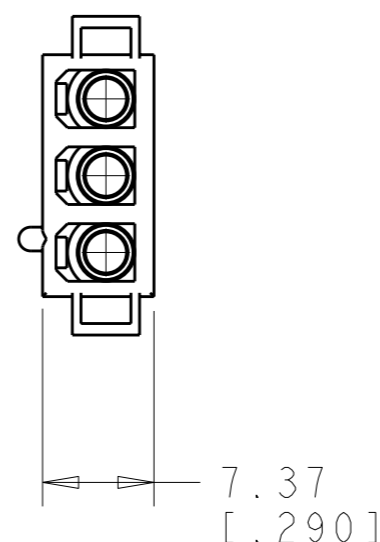
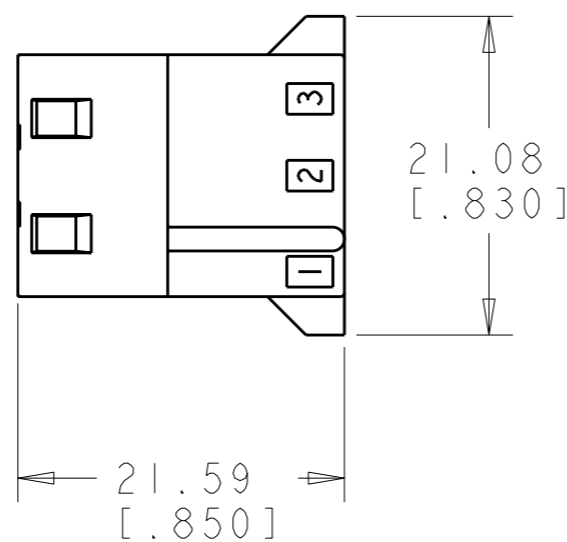
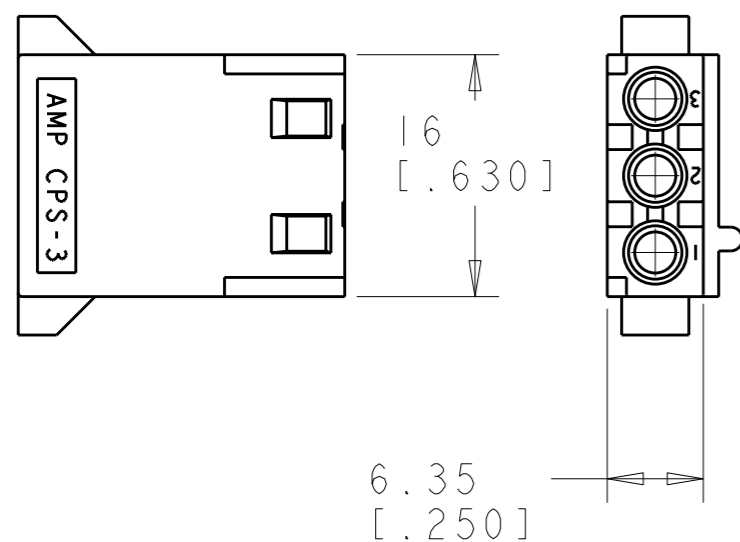
ALL RIGHTS RESERVED.

LOC	DIST
CM	00

REVISIONS

P	LTR	DESCRIPTION	DATE	DWN	APVD
	TI	REVISED PER ECO-11-004587	06APR2011	RK	HMR

1. THIS PLUG TO BE USED WITH CAP 480305.
2. TO BE USED WITH APPROPRIATE COMMERCIAL MATE-N-LOK™ SOCKETS.

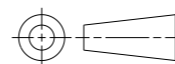


NYLON	BLACK	1-480303-9
NYLON	RED	1-480303-2
NYLON	NATURAL	1-480303-0
MATERIAL	COLOR	PART NO

# METRIC

THIS DRAWING IS A CONTROLLED DOCUMENT.

DIMENSIONS:  
mm [INCHES]



TOLERANCES UNLESS OTHERWISE SPECIFIED:

0 PLC	±-
1 PLC	±-
2 PLC	±0.13 [.005]
3 PLC	±-
4 PLC	±-
ANGLES	±0° 30'

MATERIAL SEE TABLE

FINISH -

DWN	23APR2002
K. WHITAKER	
CHK	23APR2002
D. COLEY	
APVD	23APR2002
D. COLEY	

PRODUCT SPEC	-
APPLICATION SPEC	-
WEIGHT	-

CUSTOMER DRAWING

**STE** TE Connectivity

NAME  
3 CIRCUIT MATE-N-LOK™ PLUG

SIZE	CAGE CODE	DRAWING NO	RESTRICTED TO
A3	00779	C-480303	-

SCALE 2:1 SHEET 1 OF 1 REV TI